

CM1214

1 and 2-Channel AC Signal ESD Protector

Product Description

The CM1214 ESD protector guards bipolar signal lines against electrostatic discharge (ESD). The CM1214 allows operation in high-speed environments with signals levels up to ± 5 V. The low sub-1 pF loading capacitance makes the CM1214-01SO ideal for protecting high-speed interfaces including RF switches and amplifiers. The CM1214-02MR is ideal for dual high-speed signal pairs used in Gigabit Ethernet, ADSL, etc. The CM1214-02MR can also be used for higher transmit voltage applications by connecting the two channels in series.

The CM1214-01SO is a single channel ESD protector available in a 3-lead SOT23-3 package. The CM1214-02MR is a dual channel ESD protector and is available in an 8-lead MSOP-8 package.

Features

- Single Channel ESD Protection for an AC Signal Up to ± 5 V for 0.25 W Transmit Power
- Connects Two Channels in Series for Signals Up to ± 10 V (1 W Transmit Power)
- ± 8 kV ESD Protection Per IEC 61000-4-2 Contact Discharge
- Sub-1 pF Loading Capacitance
- Minimal Variation with Voltage and Temperature
- Can Withstand Over 1000 ESD Strikes at 8 kV
- SOT23-3 and MSOP-8 Package Options
- These Devices are Pb-Free and are RoHS Compliant

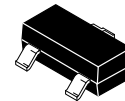
Applications

- RF Switch and Amplifier Protection
- RF Modules and RF IC Protection
- Wireless Handsets and WLAN
- High-Speed AC Signals for Gbit Ethernet, etc.

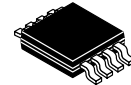


ON Semiconductor®

<http://onsemi.com>

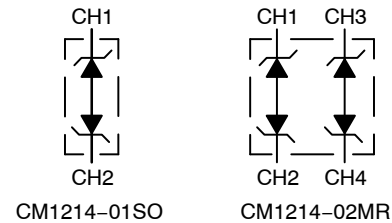


**SOT-23
SO SUFFIX
CASE 419AH**

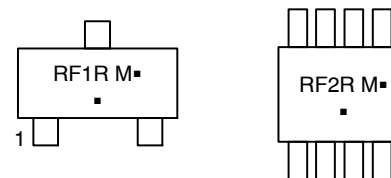


**MSOP-8
MR SUFFIX
CASE 846AD**

ELECTRICAL SCHEMATICS



MARKING DIAGRAM



XXX = Specific Device Code
 M = Date Code
 ■ = Pb-Free Package
 (Note: Microdot may be in either location)

ORDERING INFORMATION

Device	Package	Shipping [†]
CM1214-01SO	SOT23 (Pb-Free)	3000/Tape & Reel
CM1214-02MR	MSOP (Pb-Free)	4000/Tape & Reel

[†]For information on tape and reel specifications, including part orientation and tape sizes, please refer to our Tape and Reel Packaging Specification Brochure, BRD8011/D.

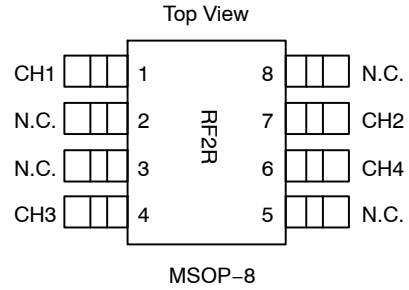
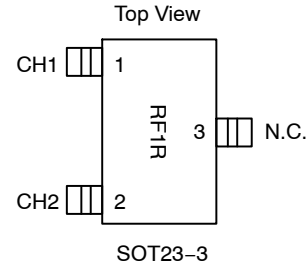
CM1214

Table 1. PIN DESCRIPTIONS

SOT23-3 Package		
Pin	Name	Description
1	CH1	ESD Channel
2	CH2	ESD Channel
3	N.C.	No connect

MSOP-8 Package		
Pin	Name	Description
1	CH1	ESD Channel
2	N.C.	No connect
3	N.C.	No connect
4	CH3	ESD Channel
5	N.C.	No connect
6	CH4	ESD Channel
7	CH2	ESD Channel
8	N.C.	No connect

PACKAGE / PINOUT DIAGRAMS



SPECIFICATIONS

Table 2. ABSOLUTE MAXIMUM RATINGS

Parameter	Rating	Units
DC Voltage between CH pins	7	V
Operating Temperature Range	-40 to +85	°C
Storage Temperature Range	-65 to +150	°C
Package Power Rating SOT23-3 Package (CM1214-01SO) MSOP8 Package (CM1214-02MR)	225 400	mW

Stresses exceeding those listed in the Maximum Ratings table may damage the device. If any of these limits are exceeded, device functionality should not be assumed, damage may occur and reliability may be affected.

Table 3. STANDARD OPERATING CONDITIONS

Parameter	Rating	Units
Operating Temperature Range	-40 to +85	°C

Functional operation above the stresses listed in the Recommended Operating Ranges is not implied. Extended exposure to stresses beyond the Recommended Operating Ranges limits may affect device reliability.

Table 4. ELECTRICAL OPERATING CHARACTERISTICS (Note 1)

Symbol	Parameter	Conditions	Min	Typ	Max	Units
V_{ST}	Standoff Voltage	$I = 10 \mu A$	-	± 7	-	V
V_{ESD}	ESD Voltage Protection Peak discharge voltage between CH pins a) Contact discharge per IEC 61000-4-2 standard	(Notes 2 and 3)	± 8	-	-	kV
I_{LEAK}	Channel Leakage Current	$T_A = 25^\circ C$, 5.5 V between CH pins	-	± 0.1	± 1.0	μA
R_{DYN}	Dynamic Resistance	$T_A = 25^\circ C$, $I_{PP} = 1 A$, $t_p = 8/20 \mu S$ Any I/O pin to Ground (Note 4)	-	0.9	-	Ω

CM1214

Table 4. ELECTRICAL OPERATING CHARACTERISTICS (Note 1)

Symbol	Parameter	Conditions	Min	Typ	Max	Units
V _{CL}	Channel Clamp Voltage	T _A = 25°C, I _{PP} = 1 A, t _p = 8/20 μS (Note 4)	-	10.0	-	V
C _{IN}	Channel Input Capacitance Voltage between CH pins = 0 V Voltage between CH pins = 5 V	Measured at 1 MHz between CH pins	0.5 0.5	0.8 0.8	1.2 1.2	pF

1. All parameters specified at T_A = -40°C to +85°C unless otherwise noted.
2. Standard IEC 61000-4-2 with C_{Discharge} = 150 pF, R_{Discharge} = 330 Ω.
3. From CH pin with other CH pin grounded.
4. No Connect pins are left open for all tests.

Product parametric performance is indicated in the Electrical Characteristics for the listed test conditions, unless otherwise noted. Product performance may not be indicated by the Electrical Characteristics if operated under different conditions.

PERFORMANCE INFORMATION

Typical Capacitance Characteristics vs. Voltage

CM1214 illustrates how the loading capacitance remains mainly flat across the voltage range from 0 V to 5 V, the voltage between CH pins.

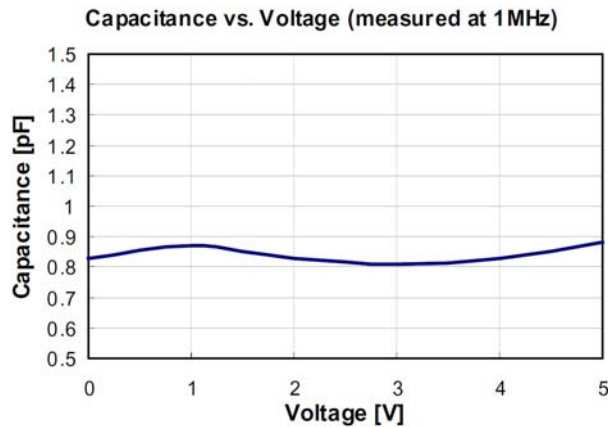


Figure 1. CM1214 Capacitance vs. Voltage

Typical Voltage Current (VI) Characteristics (low current)

CM1214 shows how the CM1214 experiences a symmetrical I/V curve, without any snapback or trigger voltage. It gradually starts to turn on at about 6 v and clamps above 7 V.

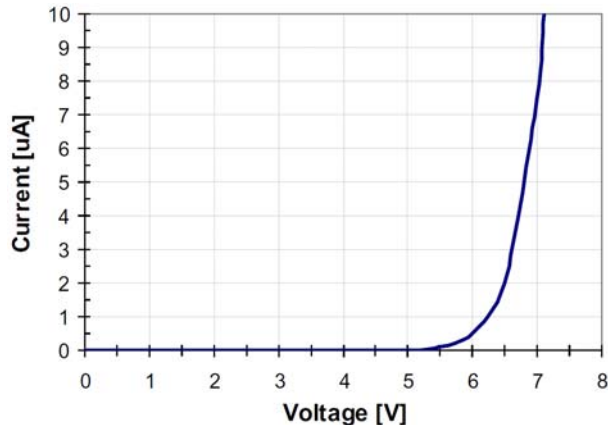


Figure 2. CM1214 VI Characteristics, Low Current

CM1214

PERFORMANCE INFORMATION (Cont'd)

Typical Voltage–Current (VI) Characteristics (high current, pulse condition)

CM1214 shows how the CM1214 experiences a symmetrical I/V curve, without any snapback or trigger voltage. The curve shows only one polarity.

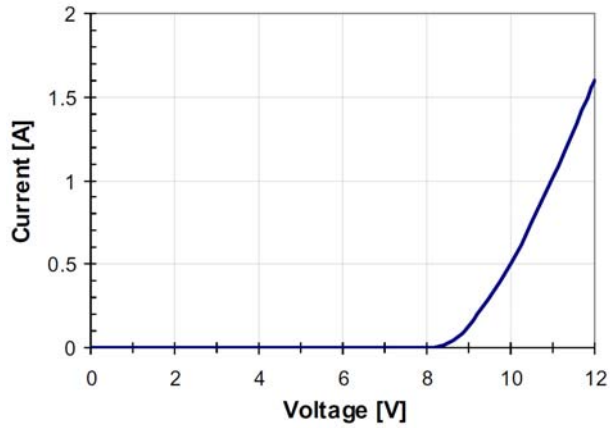


Figure 3. CM1214 VI Characteristics, High Current, Pulse (clamping) Condition

Typical Filter Performance (nominal conditions unless specified otherwise, 50 Ohm Environment)

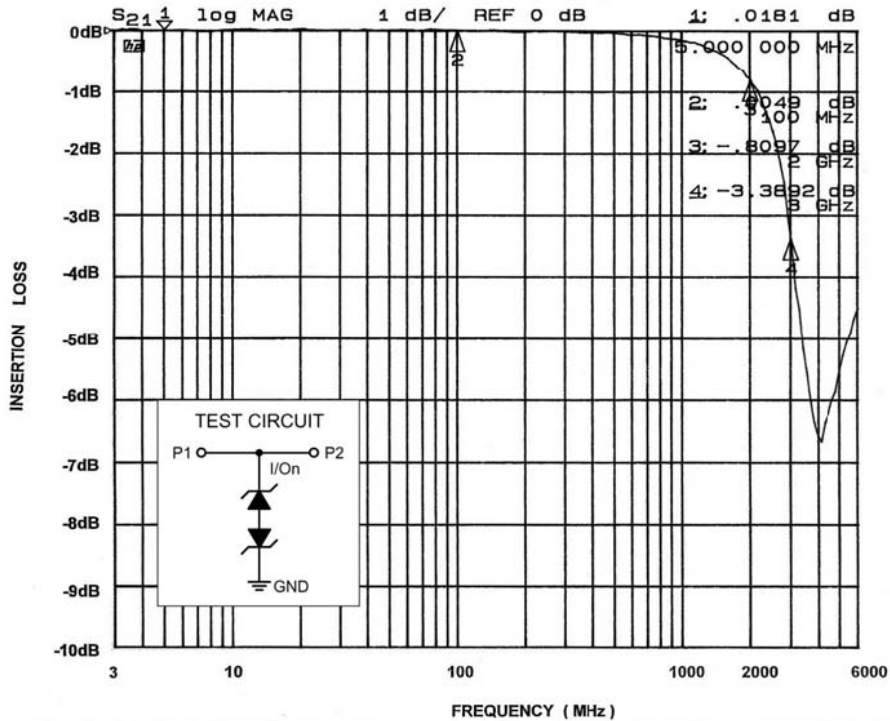


Figure 4. Insertion Loss vs. Frequency (0 V DC Bias)

CM1214

PERFORMANCE INFORMATION (Cont'd)

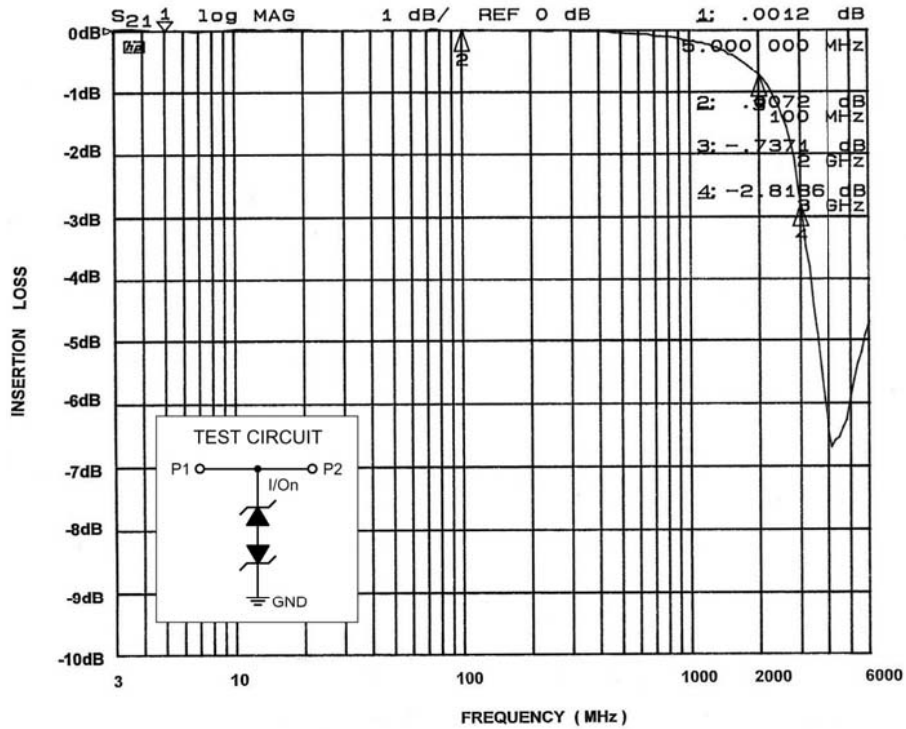


Figure 5. Insertion Loss vs. Frequency (2.5 V DC Bias)

APPLICATION INFORMATION

The CM1214-01SO protects a single bipolar signal line, such as is found in RF circuits. One I/O pin (pin 1 for example) is connected to the signal line to be protected, and the other I/O pin is tied to GND. It is important to have a solid ground connection in order to reduce the clamping voltage. Pin 3 of the 3-lead SOT23 must be left open (not connected on the PCB).

The CM1214-02MR protects two bipolar lines, such as for Gbit Ethernet. The PCB traces underneath the package connect across to the corresponding pins, i.e., pin 1 to pin 8 etc.

Any disturbance on the line above or below the standoff voltage is clamped.

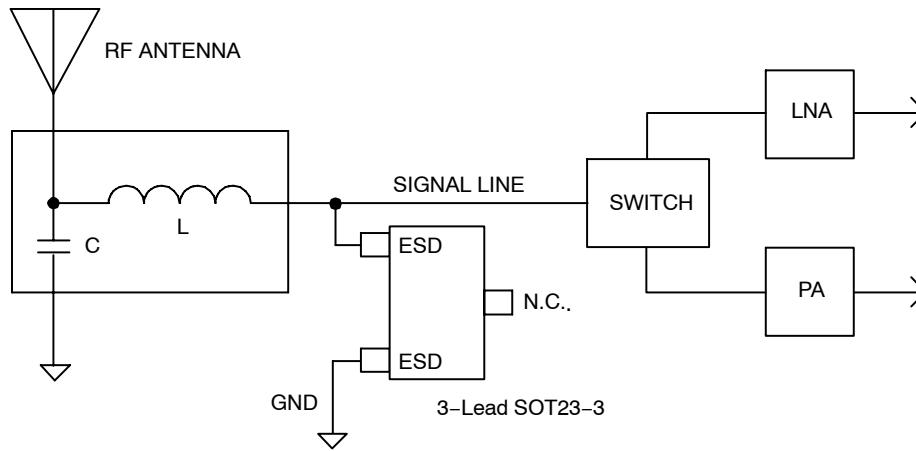


Figure 6. Typical Application – RF Switch and Amplifier Protection, CM1214-01SO-01SO/in 3-lead SOT23

CM1214

APPLICATION INFORMATION (Cont'd)

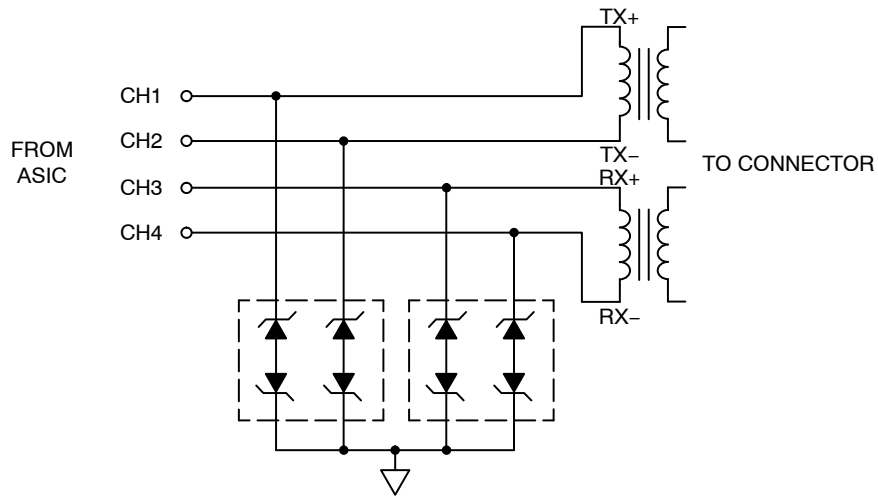
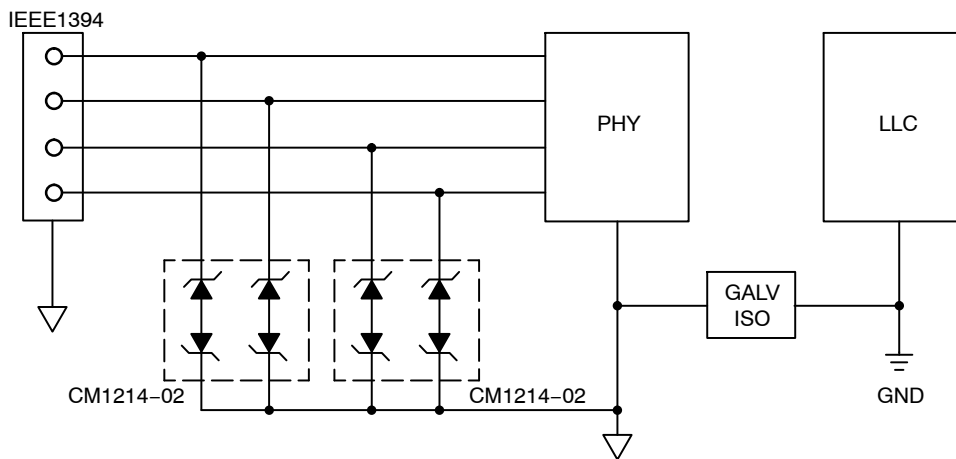


Figure 7. Typical Application – Ethernet Protection, CM1214-02MR in 8-lead MSOP



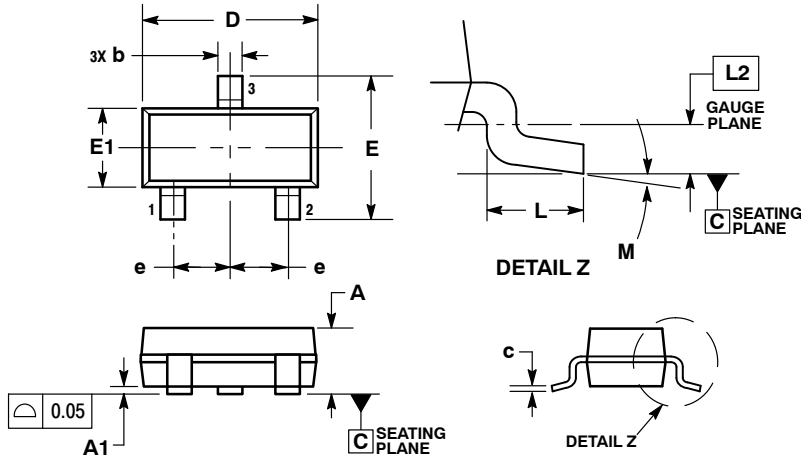
Keep the ESD devices on the PHY side of the galvanic isolation and inside the V_{CC} domain of the PHY controller

Figure 8. Typical Application – IEEE1394 Protection, CM1214-02MR in 8-lead MSOP

CM1214

PACKAGE DIMENSIONS

SOT-23 3-Lead (TO-236AA)
CASE 419AH-01
ISSUE O

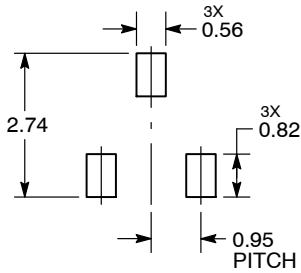


NOTES:

1. DIMENSIONING AND TOLERANCING PER ASME Y14.5M, 1994.
2. CONTROLLING DIMENSION: MILLIMETERS
3. MAXIMUM LEAD THICKNESS INCLUDES LEAD FINISH THICKNESS. MINIMUM LEAD THICKNESS IS THE MINIMUM THICKNESS OF BASE MATERIAL.
4. DIMENSIONS D AND E1 DO NOT INCLUDE MOLD FLASH, PROTRUSIONS, OR GATE BURRS. MOLD FLASH, PROTRUSIONS, OR GATE BURRS SHALL NOT EXCEED 0.15 PER SIDE. DIMENSIONS D AND E1 ARE DETERMINED AT DATUM H.
5. PIN ONE INDICATOR MUST BE LOCATED IN THE INDICATED ZONE.

DIM	MILLIMETERS	
	MIN	MAX
A	0.75	1.17
A1	0.05	0.15
b	0.30	0.50
c	0.08	0.20
D	2.80	3.05
E	2.10	2.64
E1	1.20	1.40
e	0.95 BSC	
L	0.40	0.60
L2	0.25 BSC	
M	0°	8°

RECOMMENDED SOLDERING FOOTPRINT*



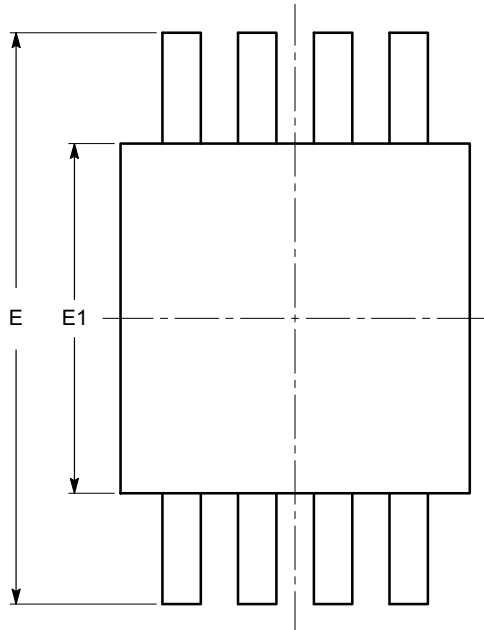
DIMENSIONS: MILLIMETERS

*For additional information on our Pb-Free strategy and soldering details, please download the ON Semiconductor Soldering and Mounting Techniques Reference Manual, SOLDERRM/D.

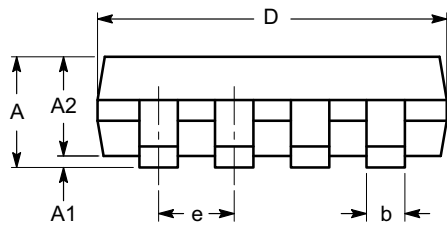
CM1214

PACKAGE DIMENSIONS

MSOP 8, 3x3
CASE 846AD-01
ISSUE O

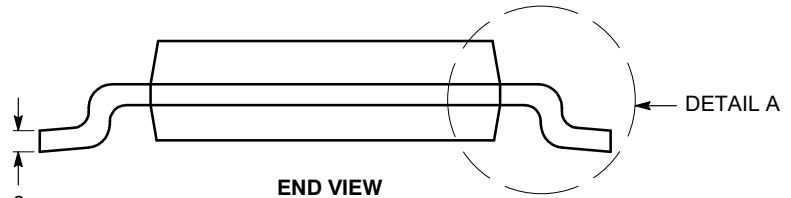


TOP VIEW

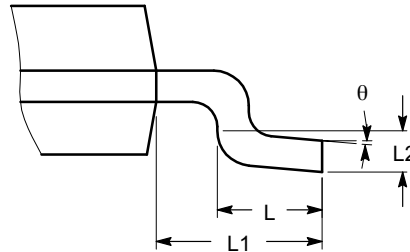


SIDE VIEW

SYMBOL	MIN	NOM	MAX
A			1.10
A1	0.05	0.10	0.15
A2	0.75	0.85	0.95
b	0.22		0.38
c	0.13		0.23
D	2.90	3.00	3.10
E	4.80	4.90	5.00
E1	2.90	3.00	3.10
e	0.65 BSC		
L	0.40	0.60	0.80
L1	0.95 REF		
L2	0.25 BSC		
θ	0°		6°



END VIEW



DETAIL A

Notes:

- (1) All dimensions are in millimeters. Angles in degrees.
- (2) Complies with JEDEC MO-187.

ON Semiconductor and are registered trademarks of Semiconductor Components Industries, LLC (SCILLC). SCILLC owns the rights to a number of patents, trademarks, copyrights, trade secrets, and other intellectual property. A listing of SCILLC's product/patent coverage may be accessed at www.onsemi.com/site/pdf/Patent-Marking.pdf. SCILLC reserves the right to make changes without further notice to any products herein. SCILLC makes no warranty, representation or guarantee regarding the suitability of its products for any particular purpose, nor does SCILLC assume any liability arising out of the application or use of any product or circuit, and specifically disclaims any and all liability, including without limitation special, consequential or incidental damages. "Typical" parameters which may be provided in SCILLC data sheets and/or specifications can and do vary in different applications and actual performance may vary over time. All operating parameters, including "Typicals" must be validated for each customer application by customer's technical experts. SCILLC does not convey any license under its patent rights nor the rights of others. SCILLC products are not designed, intended, or authorized for use as components in systems intended for surgical implant into the body, or other applications intended to support or sustain life, or for any other application in which the failure of the SCILLC product could create a situation where personal injury or death may occur. Should Buyer purchase or use SCILLC products for any such unintended or unauthorized application, Buyer shall indemnify and hold SCILLC and its officers, employees, subsidiaries, affiliates, and distributors harmless against all claims, costs, damages, and expenses, and reasonable attorney fees arising out of, directly or indirectly, any claim of personal injury or death associated with such unintended or unauthorized use, even if such claim alleges that SCILLC was negligent regarding the design or manufacture of the part. SCILLC is an Equal Opportunity/Affirmative Action Employer. This literature is subject to all applicable copyright laws and is not for resale in any manner.

PUBLICATION ORDERING INFORMATION

LITERATURE FULFILLMENT:

Literature Distribution Center for ON Semiconductor
P.O. Box 5163, Denver, Colorado 80217 USA
Phone: 303-675-2175 or 800-344-3860 Toll Free USA/Canada
Fax: 303-675-2176 or 800-344-3867 Toll Free USA/Canada
Email: orderlit@onsemi.com

N. American Technical Support: 800-282-9855 Toll Free
USA/Canada
Europe, Middle East and Africa Technical Support:
Phone: 421 33 790 2910
Japan Customer Focus Center
Phone: 81-3-5817-1050

ON Semiconductor Website: www.onsemi.com
Order Literature: <http://www.onsemi.com/orderlit>
For additional information, please contact your local Sales Representative