

# 2A Wide Input Voltage Synchronous Buck-Boost DC/DC Converter

## FEATURES

- Regulated Output with Input Voltages Above, Below or Equal to the Output
- 1.8V to 5.5V (Input) and 5.25V (Output) Voltage Range
- 0.8A Continuous Output Current:  $V_{IN} > 1.8V$
- 2A Continuous Output Current:  $V_{IN} > 3V$
- Single Inductor
- Synchronous Rectification: Up to 96% Efficiency
- Programmable Burst Mode® Operation:  $I_Q = 40\mu A$
- Output Disconnect in Shutdown
- Programmable Frequency from 300kHz to 2MHz
- $< 1\mu A$  Shutdown Current
- Small Thermally Enhanced 14-Lead (3mm × 4mm × 0.75mm) DFN package

## APPLICATIONS

- GSM Modems
- Handheld Instruments
- Digital Cameras
- Smart Phones
- Media Players
- Miniature Hard Disk Drive Power

## DESCRIPTION

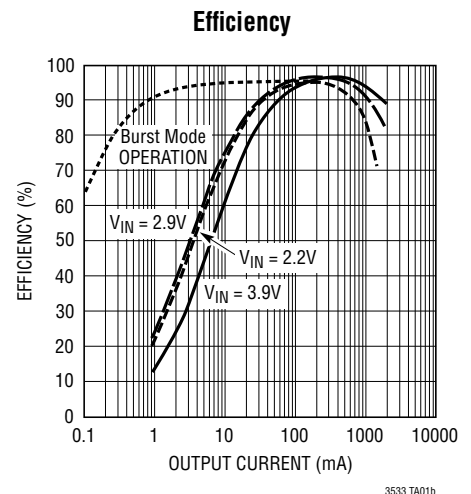
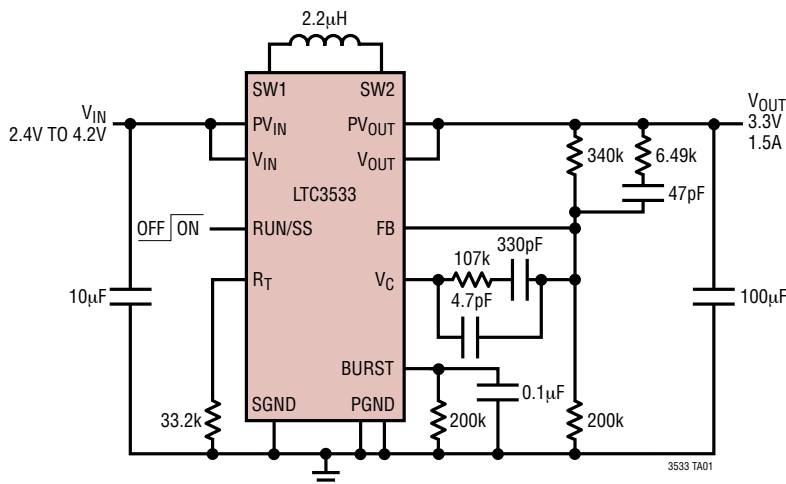
The LTC3533 is a wide  $V_{IN}$  range, highly efficient, fixed frequency, buck-boost DC/DC converter that operates from input voltages above, below or equal to the output voltage. The topology incorporated in the IC provides a continuous transfer function through all operating modes, making the product ideal for single cell lithium-ion/polymer or multi-cell alkaline/NiMH applications where the output voltage is within the input voltage range.

The LTC3533 features programmable Burst Mode operation, extended  $V_{IN}$  and  $V_{OUT}$  ranges down to 1.8V, and increased output current. Switching frequencies up to 2MHz are programmed with an external resistor. The Burst Mode threshold is programmed with a single resistor from the BURST pin to GND.

Other features include 1 $\mu A$  shutdown current, short circuit protection, programmable soft-start, current limit and thermal shutdown. The LTC3533 is housed in the thermally enhanced 14-lead (3mm × 4mm × 0.75mm) DFN package.

LT, LT, LTC, LTM and BurstMode are registered trademarks of Linear Technology Corporation. All other trademarks are the property of their respective owners.

## TYPICAL APPLICATION

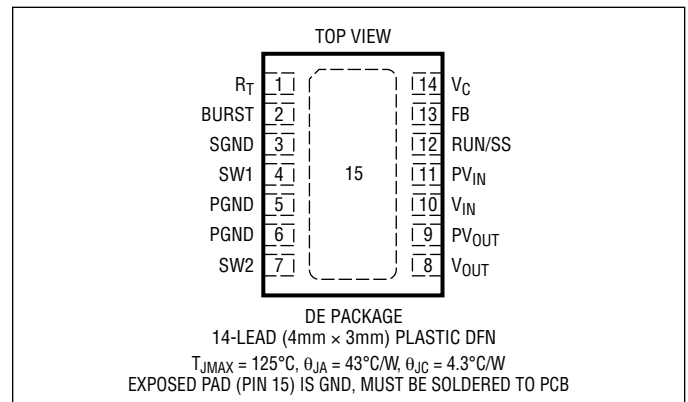


## ABSOLUTE MAXIMUM RATINGS

(Note 1)

$V_{IN}$ , $PV_{IN}$ Voltages	-0.3 to 6V
$V_{OUT}$ , $PV_{OUT}$ Voltages	-0.3 to 6V
SW1, SW2 Voltages	
DC	-0.3 to 6V
Pulsed < 100ns	-0.3 to 7V
$V_C$ , FB, RUN/SS, BURST Voltages	-0.3 to 6V
Operating Temperature Range (Note 2)	-40°C to 85°C
Maximum Junction Temperature (Note 3)	125°C
Storage Temperature Range	-65°C to 125°C

## PIN CONFIGURATION



## ORDER INFORMATION

LEAD FREE FINISH	TAPE AND REEL	PART MARKING*	PACKAGE DESCRIPTION	TEMPERATURE RANGE
LTC3533EDHC#PBF	LTC3533EDHC#TRPBF	3533	14-Lead (4mm x 3mm) Plastic DFN	-40°C to 85°C
LEAD BASED FINISH	TAPE AND REEL	PART MARKING*	PACKAGE DESCRIPTION	TEMPERATURE RANGE
LTC3533EDHC	LTC3533EDHC#TR	3533	14-Lead (4mm x 3mm) Plastic DFN	-40°C to 85°C

Consult LTC Marketing for parts specified with wider operating temperature ranges.

For more information on lead free part marking, go to: <http://www.linear.com/leadfree/>

For more information on tape and reel specifications, go to: <http://www.linear.com/tapeandreel/>. Some packages are available in 500 unit reels through designated sales channels with #TRMPBF suffix.

## ELECTRICAL CHARACTERISTICS

The ● denotes the specifications which apply over the full operating temperature range, otherwise specifications are at  $T_A = 25^\circ\text{C}$ .  $V_{IN} = 3.6\text{V}$ ,  $V_{OUT} = 3.3\text{V}$ , unless otherwise noted.

PARAMETER	CONDITIONS	MIN	TYP	MAX	UNITS
Input Operating Range		● 1.8		5.5	V
Output Voltage Adjust Range		● 1.8		5.25	V
Feedback Voltage		● 1.196	1.22	1.244	V
Feedback Input Current	$V_{FB} = 1.22\text{V}$		1	50	nA
Quiescent Current – Burst Mode Operation	$V_C = 0\text{V}$ , $V_{BURST} = 0\text{V}$ (Note 4)		40	50	$\mu\text{A}$
Quiescent Current – Shutdown	$V_{RUN} = 0\text{V}$ , Not Including Switch Leakage		0.1	1	$\mu\text{A}$
Quiescent Current – Active	$V_C = 0\text{V}$ , BURST = 3.6V (Note 4)		700	1100	$\mu\text{A}$
Input Current Limit		● 3.5	4.5		A
Peak Current Limit			7		A
Reverse Current Limit			0.5		A
NMOS Switch Leakage	Switches B and C		0.1	5	$\mu\text{A}$
PMOS Switch Leakage	Switches A and D		0.1	10	$\mu\text{A}$
NMOS Switch On Resistance	Switches B and C		60		m $\Omega$
PMOS Switch On Resistance	Switches A and D		80		m $\Omega$

## ELECTRICAL CHARACTERISTICS

The ● denotes the specifications which apply over the full operating temperature range, otherwise specifications are at  $T_A = 25^\circ\text{C}$ .  $V_{IN} = 3.6\text{V}$ ,  $V_{OUT} = 3.3\text{V}$ , unless otherwise noted.

PARAMETER	CONDITIONS		MIN	TYP	MAX	UNITS
Maximum Duty Cycle	Boost (% Switch C On)	●	80	90		%
	Buck (% Switch A On)	●	100			%
Minimum Duty Cycle		●			0	%
Frequency Accuracy	$R_T = 33.2\text{k}$	●	0.7	1	1.3	MHz
Error Amp AVOL				80		dB
Error Amp Source Current				-20		$\mu\text{A}$
Error Amp Sink Current				250		$\mu\text{A}$
Burst Threshold				1		V
Burst Input Current	$V_{BURST} = 5.5\text{V}$ , $V_{IN} = 5.5\text{V}$				8	$\mu\text{A}$
RUN/SS Threshold	When IC is Enabled	●	0.4	0.7	1.4	V
	When EA is at Maximum Boost Duty Cycle			1.3		V
RUN/SS Input Current	$V_{RUN} = 5.5\text{V}$			0.01	1	$\mu\text{A}$

**Note 1:** Stresses beyond those listed under Absolute Maximum Ratings may cause permanent damage to the device. Exposure to any Absolute Maximum Rating condition for extended periods may affect device reliability and lifetime.

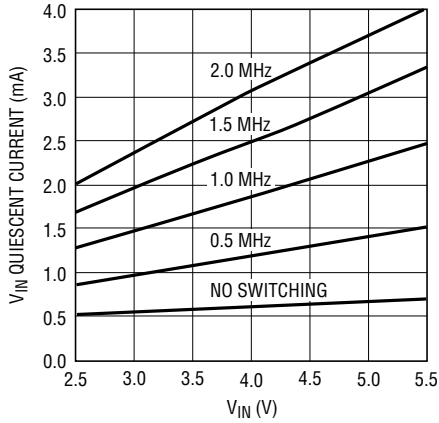
**Note 2:** The LTC3533EDE is guaranteed to meet performance specifications from  $0^\circ\text{C}$  to  $85^\circ\text{C}$ . Specifications over the  $-40^\circ\text{C}$  to  $85^\circ\text{C}$  operating temperature range are assured by design, characterization and correlation with statistical process controls.

**Note 3:** This IC includes over-temperature protection that is intended to protect the device during momentary overload conditions. Junction temperature will exceed  $125^\circ\text{C}$  when over-temperature protection is active. Continuous operation above the specified maximum operating junction temperature may result in device degradation or failure.

**Note 4:** Current Measurements are performed when the outputs are not switching.

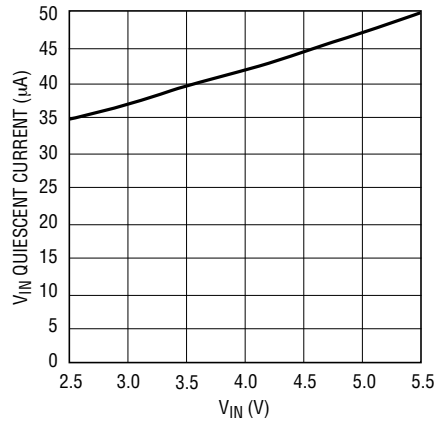
## TYPICAL PERFORMANCE CHARACTERISTICS $T_A = 25^\circ\text{C}$ , unless otherwise specified.

**Quiescent Current vs  $V_{IN}$  (Fixed Frequency Mode)**



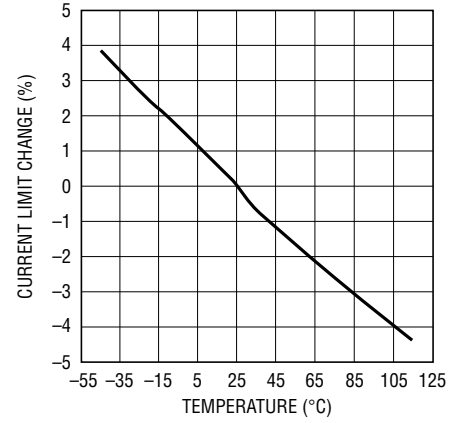
3533 G01

**Burst Mode Quiescent Current**



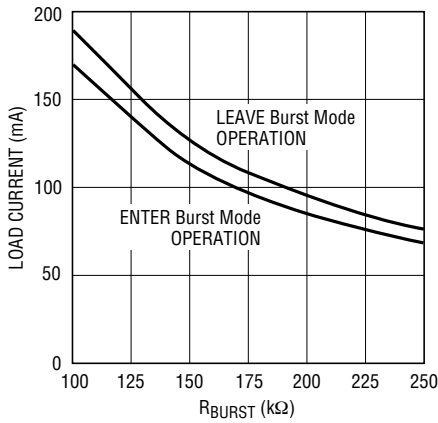
3530 G02

**Peak Current Limit vs Temperature**



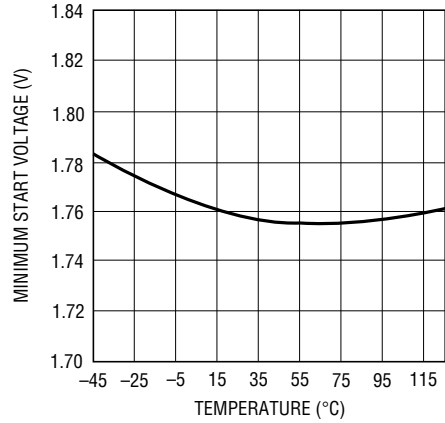
3533 G03

**Automatic Burst Mode Threshold vs  $R_{BURST}$**



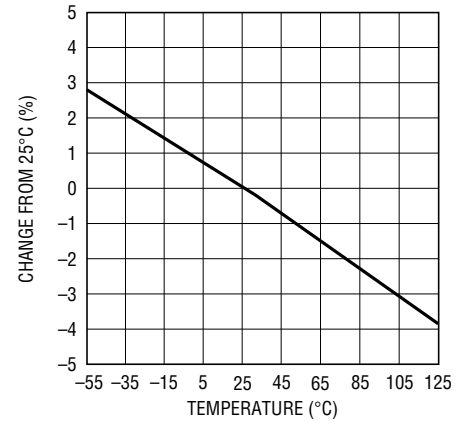
3533 G04

**Minimum Start Voltage vs Temperature**



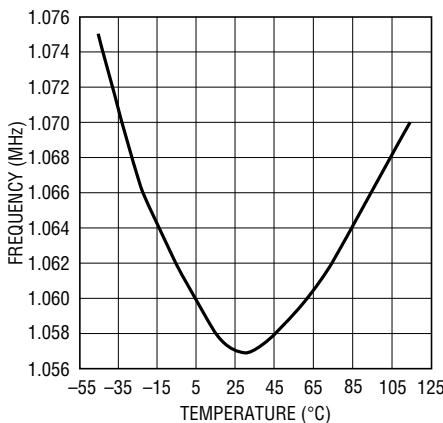
3533 G05

**Average Input Current Limit vs Temperature**



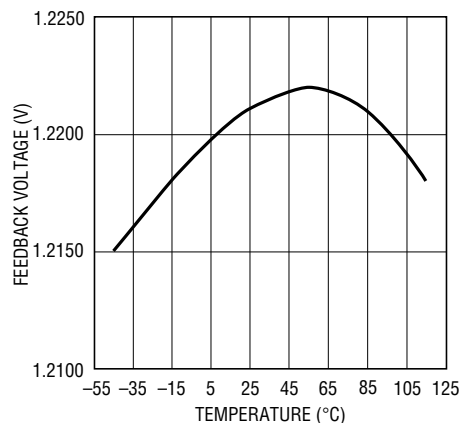
3533 G06

**Frequency Change vs Temperature**



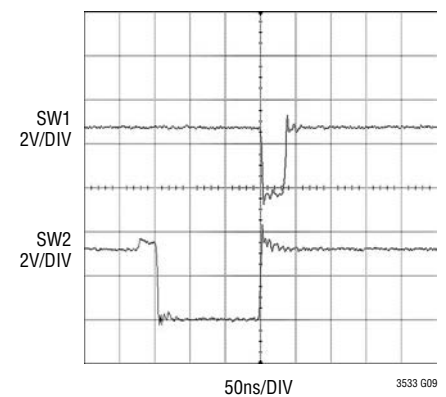
3533 G07

**Feedback Voltage vs Temperature**



3533 G08

**Switch Pins Before Entering Boost Mode**

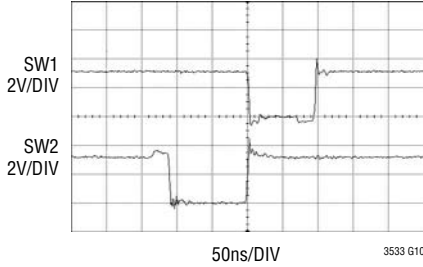


3533 G09

$V_{IN} = 2.9\text{V}$   
 $V_{OUT} = 3.3\text{V AT } 500\text{mA}$

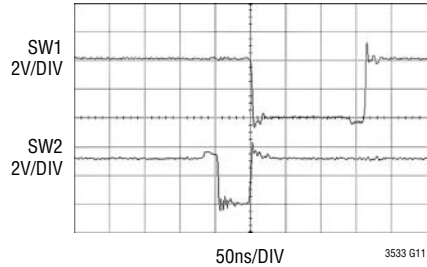
**TYPICAL PERFORMANCE CHARACTERISTICS**  $T_A = 25^\circ\text{C}$ , unless otherwise specified.

**Switch Pins in Buck-Boost Mode**



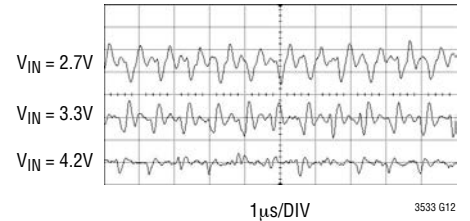
$V_{IN} = 3.3\text{V}$   
 $V_{OUT} = 3.3\text{V AT } 500\text{mA}$

**Switch Pins Entering Buck-Boost Mode**



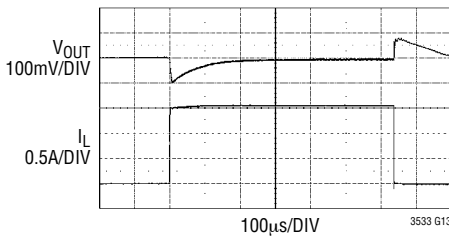
$V_{IN} = 4.2\text{V}$   
 $V_{OUT} = 3.3\text{V AT } 500\text{mA}$

**Output Ripple at 1A Load**



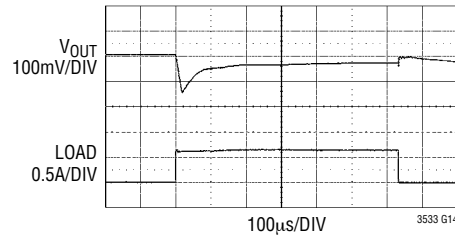
$V_{OUT} = 3.3\text{V, } 20\text{mV/DIV}$   
 $C_{OUT} = 100\mu\text{F CERAMIC}$

**Load Transient Response in Fixed Frequency Mode, No Load to 1.5A**



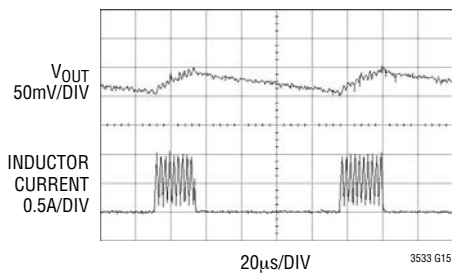
$V_{IN} = 3.6\text{V}$   
 $V_{OUT} = 3.3\text{V}$   
 $C_{OUT} = 100\mu\text{F X5R CERAMIC}$

**Load Transient Response in Auto Burst Mode, No Load to 600mA**



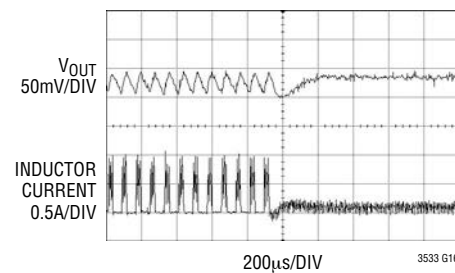
$V_{IN} = 3.6\text{V}$   
 $V_{OUT} = 3.3\text{V}$   
 $C_{OUT} = 100\mu\text{F X5R CERAMIC} +$   
 $100\mu\text{F LOW ESR TANTALUM}$

**Burst Mode Operation**



$C_{OUT} = 100\mu\text{F CERAMIC}$

**Transition from Burst Mode Operation to Fixed Frequency Mode**



$C_{OUT} = 100\mu\text{F CERAMIC}$

## PIN FUNCTIONS

**R<sub>T</sub> (Pin 1):** Programs the Frequency of the Internal Oscillator. Connect a resistor from R<sub>T</sub> to ground.

$$f(\text{kHz}) = 33,170/R_T (\text{k}\Omega)$$

**BURST (Pin 2):** Used to set the Automatic Burst Mode Threshold. Connect a resistor and capacitor in parallel from this pin to ground. See the Applications Information section for component value selection. For manual control, ground the pin to force Burst Mode operation, connect to V<sub>IN</sub> to force fixed frequency PWM mode.

**SGND (Pin 3):** Signal ground for the IC.

**SW1 (Pin 4):** Switch Pin where Internal Switches A and B are Connected. Connect inductor from SW1 to SW2. An optional Schottky diode can be connected from SW1 to ground for a moderate efficiency improvement. Minimize trace length to reduce EMI.

**PGND1, PGND2 (Pins 5, 6):** Power Ground for the Internal NMOS Power Switches.

**SW2 (Pin 7):** Switch Pin where Internal Switches C and D are Connected. An optional Schottky diode can be connected from SW2 to V<sub>OUT</sub> for a moderate efficiency improvement. For applications with output voltages over 4.3V, this Schottky diode is required to ensure the SW2 pin does not exhibit excess voltage. Minimize trace length to reduce EMI.

**V<sub>OUT</sub> (Pin 8):** Voltage Sensing Pin for PV<sub>OUT</sub> and Input Supply Pin for Internal Circuitry Powered by PV<sub>OUT</sub>. A filter capacitor is placed from V<sub>OUT</sub> to GND. A ceramic bypass capacitor is recommended as close to the V<sub>OUT</sub> and GND pins as possible.

**PV<sub>OUT</sub> (Pin 9):** Output of the Synchronous Rectifier. A filter capacitor is placed from PV<sub>OUT</sub> to PGND. A ceramic bypass capacitor is recommended as close to the PV<sub>OUT</sub> and PGND pins as possible.

**V<sub>IN</sub> (Pin 10):** Input Supply Pin. Internal V<sub>CC</sub> for the IC.

**PV<sub>IN</sub> (Pin 11):** Power V<sub>IN</sub> Supply Pin. A 10μF ceramic capacitor is recommended as close to the PV<sub>IN</sub> and PGND pins as possible.

**RUN/SS (Pin 12):** Combined Enable and Soft-Start. Applied voltage <0.4V shuts down the IC. Tie to >1.4V to enable the IC and >1.6V to ensure the error amp is not clamped from soft-start. An RC from the shutdown command signal to this pin will provide a soft-start function by limiting the rise time of V<sub>C</sub>

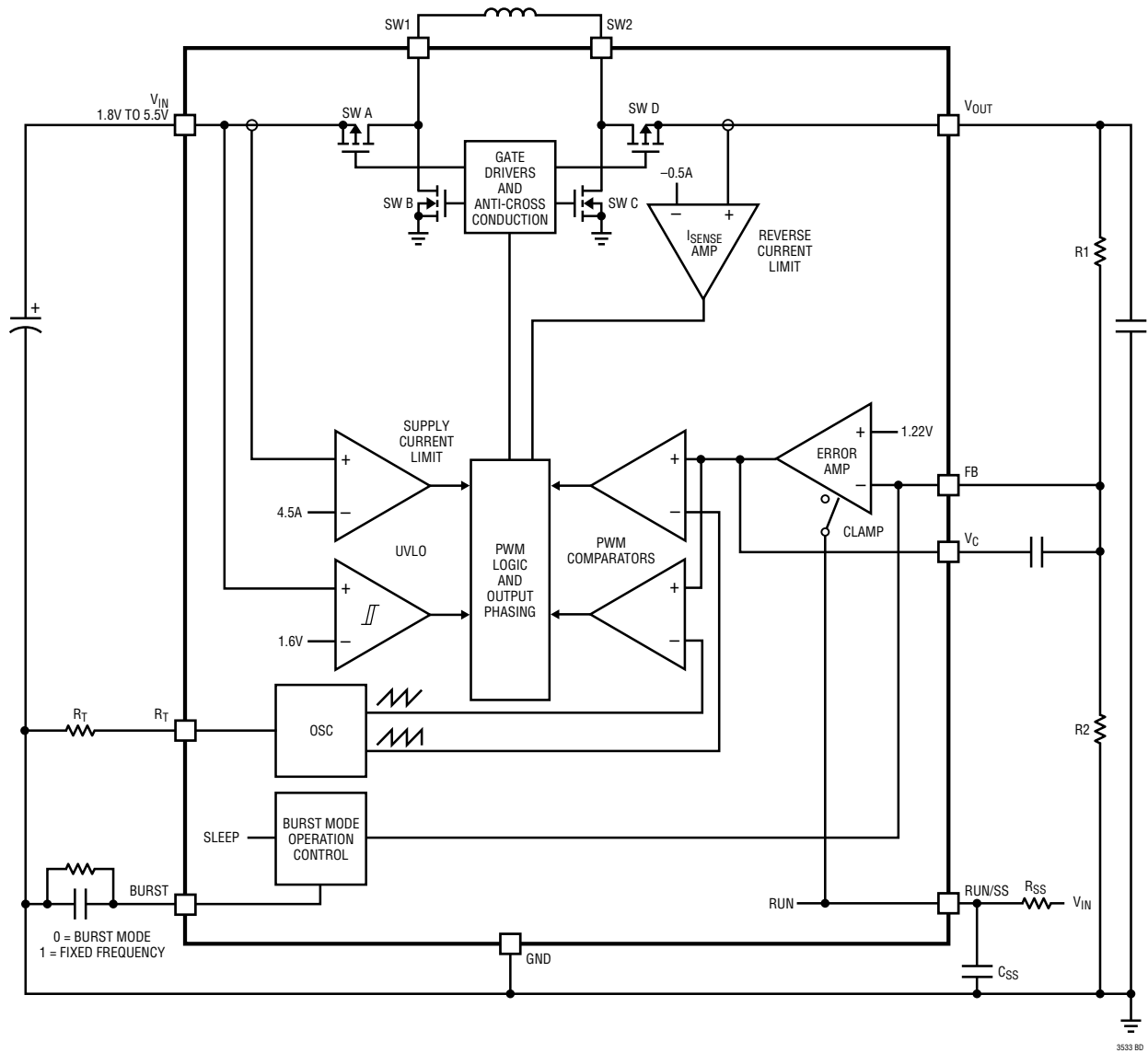
**FB (Pin 13):** Feedback Pin. Connect resistor divider tap here. The output voltage can be adjusted from 1.8V to 5.25V. The feedback reference voltage is typically 1.22V.

$$V_{OUT} = 1.22 \cdot \frac{R1 + R2}{R2}$$

**V<sub>C</sub> (Pin 14):** Error Amp Output. An R-C network is connected from this pin to FB for loop compensation. Refer to “Closing the Feedback Loop” section for component selection guidelines. During Burst Mode operation, V<sub>C</sub> is internally connected to a hold circuit.

**Exposed Pad (Pin 15):** IC Substrate Ground. This pin must be soldered to the PCB ground to provide both electrical contact and a good thermal contact to the PCB.

# BLOCK DIAGRAM



## OPERATION

The LTC3533 provides high efficiency, low noise power for a wide variety of handheld electronic devices. The LTC proprietary topology allows input voltages above, below or equal to the output voltage by properly phasing the output switches. The error amplifier output voltage on  $V_C$  determines the output duty cycle of the switches. Since  $V_C$  is a filtered signal, it provides rejection of frequencies well below the switching frequency. The low  $R_{DS(ON)}$ , low gate charge synchronous switches provide high frequency pulse width modulation control at high efficiency. High efficiency is achieved at light loads when Burst Mode operation is entered and the LTC3533's quiescent current drops to a low  $40\mu\text{A}$ .

### LOW NOISE FIXED FREQUENCY OPERATION

#### Oscillator

The frequency of operation is programmed by an external resistor from  $R_T$  to ground, according to the following equation:

$$f(\text{kHz}) = 33,170/R_T(\text{k})$$

#### Error Amplifier

The error amplifier is a voltage mode amplifier. The loop compensation components are configured around the amplifier (from FB to  $V_C$ ) to obtain stability of the converter. For improved bandwidth, an additional RC feed-forward network can be placed across the upper feedback divider resistor. The voltage on the RUN/SS pin clamps the error amplifier output,  $V_C$ , to provide a soft-start function.

#### Supply Current Limits

There are two different supply current limit circuits in the LTC3533, working consecutively, each having internally fixed thresholds which vary inversely with  $V_{IN}$ .

The first circuit is a current limit amplifier, sourcing current into FB to drop the output voltage, should the peak input current exceed  $4.5\text{A}$  typical. This method provides a closed loop means of clamping the input current. During conditions where  $V_{OUT}$  is near ground, such as during a short circuit or startup, this threshold is cut to  $750\text{mA}$ , providing a fold-back feature. For this current limit feature to be most effective, the Thevenin resistance from FB to ground should be greater than  $100\text{k}$ .

Should the peak input current exceed  $7\text{A}$  typical, the second circuit, a high speed peak current limit comparator, shuts off PMOS switch A. The delay to output of this comparator is typically  $50\text{ns}$ .

#### Reverse Current Limit

During fixed frequency operation, the LTC3533 operates in forced continuous conduction mode. The reverse current limit comparator monitors the inductor current from the output through switch D. Should this negative inductor current exceed  $500\text{mA}$  typical, the LTC3533 shuts off switch D.

#### Four-Switch Control

Figure 1 shows a simplified diagram of how the four internal switches are connected to the inductor,  $V_{IN}$ ,  $V_{OUT}$  and GND. Figure 2 shows the regions of operation for the LTC3533 as a function of the control voltage,  $V_C$ .

Dependent on  $V_C$ 's magnitude, the LTC3533 will operate in either buck, buck/boost or boost mode. The four power switches are properly phased so the transfer between operating modes is continuous, smooth and transparent to the user. When  $V_{IN}$  approaches  $V_{OUT}$  the buck/boost region is entered, where the conduction time of the four switch region is typically  $150\text{ns}$ . Referring to Figures 1 and 2, the various regions of operation will now be described.



## OPERATION

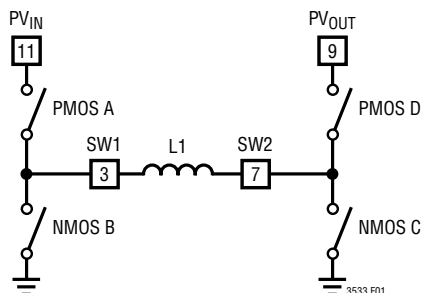


Figure 1. Simplified Diagram of Output Switches

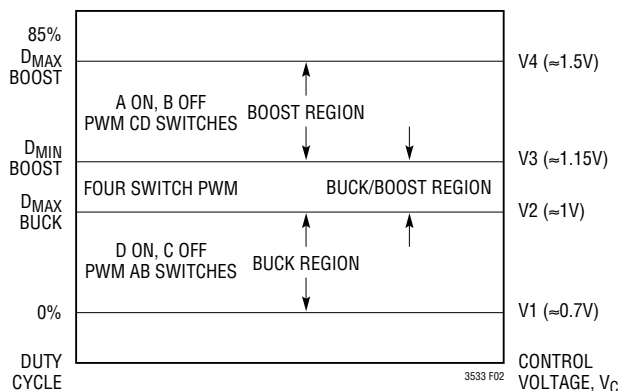


Figure 2. Switch Control vs Control Voltage,  $V_C$

### Buck Region ( $V_{IN} > V_{OUT}$ )

Switch D is always on and switch C is always off during this mode. When the control voltage,  $V_C$ , is above voltage  $V_1$ , switch A begins to switch. During the off time of switch A, synchronous switch B turns on for the remainder of the period. Switches A and B will alternate similar to a typical synchronous buck regulator. As the control voltage increases, the duty cycle of switch A increases until the maximum duty cycle of the converter in buck mode reaches  $D_{MAX\_BUCK}$ , given by:

$$D_{MAX\_BUCK} = 100 - D_{4SW} \%$$

where  $D_{4SW}$  = duty cycle % of the four switch range.

$$D_{4SW} = (150\text{ns} \cdot f) \cdot 100 \%$$

where  $f$  = operating frequency, Hz.

Beyond this point the “four switch,” or buck/boost region is reached.

### Buck/Boost or Four Switch ( $V_{IN} \sim V_{OUT}$ )

When the control voltage,  $V_C$ , is above voltage  $V_2$ , switch pair AD remain on for duty cycle  $D_{MAX\_BUCK}$ , and switch pair AC begins to phase in. As switch pair AC phases in, switch pair BD phases out accordingly. When  $V_C$  reaches the edge of the buck/boost range, at voltage  $V_3$ , the AC switch pair completely phase out the BD pair, and the boost phase begins at duty cycle  $D_{4SW}$ . The input voltage,  $V_{IN}$ , where the four switch region begins is given by:

$$V_{IN} = V_{OUT}(1 - D) = V_{OUT}(1 - 150\text{ns} \cdot f) V$$

The point at which the four switch region ends is given by:

$$V_{IN} = \frac{V_{OUT}}{1 - (150\text{ns} \cdot f)} V$$

where  $f$  = operating frequency, Hz.

### Boost Region ( $V_{IN} < V_{OUT}$ )

Switch A is always on and switch B is always off during this mode. When the control voltage,  $V_C$ , is above voltage  $V_3$ , switch pair CD will alternately switch to provide a boosted output voltage. This operation is typical to a synchronous boost regulator. The maximum duty cycle of the converter is limited to 90% typical and is reached when  $V_C$  is above  $V_4$ .

## OPERATION

### BURST MODE OPERATION

Burst Mode operation reduces the LTC3533's quiescent current consumption at light loads and improves overall conversion efficiency, increasing battery life. During Burst Mode operation the LTC3533 delivers energy to the output until it is regulated and then goes into a sleep mode where the outputs are off and the quiescent current drops to 40µA. In this mode the output ripple has a variable frequency component that depends upon load current, and will typically be about 2% peak-to-peak. Burst Mode operation ripple can be reduced slightly by using more output capacitance. Another method of reducing Burst Mode operation ripple is to place a small feed-forward capacitor across the upper resistor in the  $V_{OUT}$  feedback divider network (as in Type III compensation).

During the period where the device is delivering energy to the output, the peak switch current will rise to 900mA typical and the inductor current will terminate at zero current for each cycle. In this mode, the typical maximum average output currents are given by:

$$I_{MAX(BURST)BUCK} \approx 450\text{mA}; V_{OUT} < V_{IN}$$

$$I_{MAX(BURST)BOOST} \approx 450\text{mA} \cdot (V_{IN}/V_{OUT}); V_{OUT} > V_{IN}$$

$I_{MAX(BURST)BUCK-BOOST} \approx 700\text{mA}; V_{OUT} \approx V_{IN}$ , since the input and output are connected together for most of the cycle.

The efficiency below 1mA becomes dominated primarily by the quiescent current. The Burst Mode operation efficiency is given by:

$$\text{Efficiency} \cong \frac{\eta \cdot I_{LOAD}}{40\mu\text{A} + I_{LOAD}}$$

where  $\eta$  is typically 90% during Burst Mode operation

### Programmable Automatic Burst Mode Operation

Burst Mode operation can be automatic or digitally controlled with a single pin. In automatic mode, the LTC3533 enters Burst Mode operation at the programmed threshold and returns to fixed frequency operation when the load demand increases. The load current at which the mode transition occurs is programmed using a single external resistor from BURST to ground, according to the following equations:

$$\text{Enter Burst Mode Operation: } I_{BURST} = \frac{17}{R_{BURST}}$$

$$\text{Exit Burst Mode Operation: } I_{BURST} = \frac{19}{R_{BURST}}$$

Where  $R_{BURST}$  is in  $k\Omega$  and  $I_{BURST}$  is the load transition current in Amps. Do not use values of  $R_{BURST}$  greater than 250k $\Omega$ .

For automatic operation a filter capacitor must also be connected from BURST to ground. The equation for the minimum capacitor value is:

$$C_{BURST(MIN)} \geq \frac{C_{OUT} \cdot V_{OUT}}{60,000}$$

where  $C_{BURST(MIN)}$  and  $C_{OUT}$  are in  $\mu\text{F}$ .

In the event that a load transient causes FB to drop by more than 4% from the regulation value while in Burst Mode operation, the LTC3533 will immediately switch to fixed frequency mode and an internal pull-up will be momentarily applied to BURST, rapidly charging  $C_{BURST}$ . This prevents the IC from immediately re-entering Burst mode operation once the output achieves regulation.

## OPERATION

### Manual Burst Mode Operation

For manual control of Burst Mode operation, the RC network connected to BURST can be eliminated. To force fixed frequency mode, BURST should be connected to  $V_{IN}$ . To force Burst Mode operation, BURST should be grounded. When commanding Burst Mode operation manually, the circuit connected to BURST should be able to sink up to 2mA.

For optimum transient response with large dynamic loads, the operating mode should be controlled digitally by the host. By commanding fixed frequency operation prior to a sudden increase in load, output voltage droop can be minimized. Note that if the load current applied during forced Burst Mode operation (BURST pin is grounded) exceeds the current that can be supplied, the output voltage will start to droop and the LTC3533 will automatically come out of Burst Mode operation and enter fixed frequency mode, raising  $V_{OUT}$ . Once regulation is achieved, the LTC3533 will then enter Burst Mode operation once again (since the user is still commanding this by grounding BURST), and the cycle will repeat, resulting in about 4% output ripple.

### Burst Mode Operation to Fixed Frequency Transient Response

In Burst Mode operation, the compensation network is not used and  $V_C$  is disconnected from the error amplifier. During long periods of Burst Mode operation, leakage currents in the external components or on the PC board could cause the compensation capacitor to charge (or discharge), which could result in a large output transient when returning to fixed frequency mode of operation, even at the same load current. To prevent this, the LTC3533

incorporates an active clamp circuit that holds the voltage on  $V_C$  at an optimal voltage during Burst Mode operation. This minimizes any output transient when returning to fixed frequency mode operation. For optimum transient response, Type 3 compensation is also recommended to broad band the control loop and roll off past the two pole response of the output LC filter. (See Closing the Feedback Loop).

### Soft-Start

The soft-start function is combined with shutdown. When the RUN/SS pin is brought above 1V typical, the LTC3533 is enabled but the error amplifier duty cycle is clamped from  $V_C$ . A detailed diagram of this function is shown in Figure 3. The components  $R_{SS}$  and  $C_{SS}$  provide a slow ramping voltage on RUN/SS to provide a soft-start function. To ensure that  $V_C$  is not being clamped, RUN/SS must be raised above 1.6V.

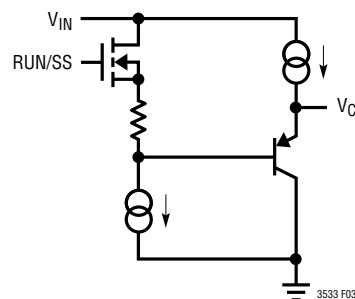
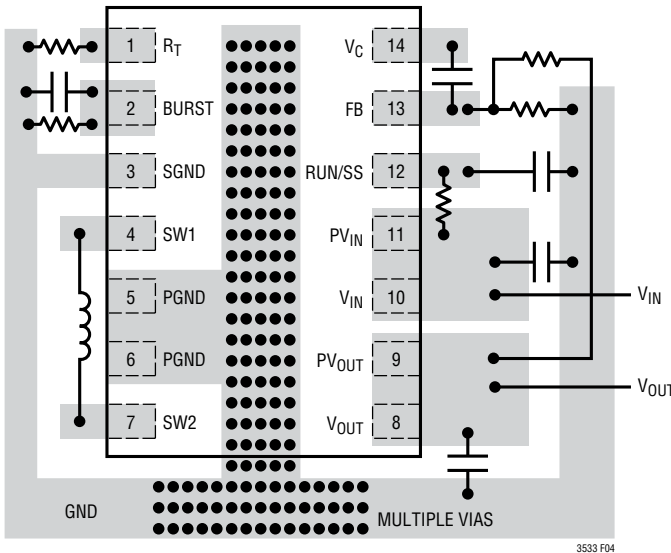


Figure 3.

# APPLICATIONS INFORMATION

## COMPONENT SELECTION



**Figure 4. Recommended Component Placement. Traces Carrying High Current Should be Short and Wide. Trace Area at FB and V<sub>C</sub> Pins are Kept Low. Lead Length to Battery Should be Kept Short. PV<sub>OUT</sub> and PV<sub>IN</sub> Ceramic Capacitors Close to the IC Pins.**

### Inductor Selection

The high frequency operation of the LTC3533 allows the use of small surface mount inductors. The inductor ripple current is typically set to 20% to 40% of the maximum inductor current. For a given ripple the inductance terms are given as follows:

$$L_{\text{BOOST}} > \frac{V_{\text{IN(MIN)}} \cdot (V_{\text{OUT}} - V_{\text{IN(MIN)}})}{f \cdot \Delta I_L \cdot V_{\text{OUT}}} \text{H}$$

$$L_{\text{BUCK}} > \frac{V_{\text{OUT}} \cdot (V_{\text{IN(MAX)}} - V_{\text{OUT}})}{f \cdot \Delta I_L \cdot V_{\text{IN(MAX)}}} \text{H}$$

where f = switching frequency, Hz

$\Delta I_L$  = maximum allowable inductor ripple current

$V_{\text{IN(MIN)}}$  = minimum input voltage

$V_{\text{IN(MAX)}}$  = maximum input voltage

$V_{\text{OUT}}$  = output voltage

For high efficiency, choose a ferrite inductor with a high frequency core material to reduce core losses. The inductor should have low ESR (equivalent series resistance) to reduce the  $I^2R$  losses, and must be able to handle the peak inductor current without saturating. Molded chokes or chip inductors usually do not have enough core to support the peak inductor currents in the 4A to 6A region. To minimize radiated noise, use a shielded inductor. See Table 1 for a suggested list of inductor suppliers.

### Output Capacitor Selection

The bulk value of the output filter capacitor is set to reduce the ripple due to charge into the capacitor each cycle. The steady state ripple due to charge is given by:

$$\% \text{Ripple}_{\text{Boost}} = \frac{I_{\text{OUT(MAX)}} \cdot (V_{\text{OUT}} - V_{\text{IN(MIN)}}) \cdot 100}{C_{\text{OUT}} \cdot V_{\text{OUT}}^2 \cdot f} \%$$

$$\% \text{Ripple}_{\text{Buck}} = \frac{(V_{\text{IN(MAX)}} - V_{\text{OUT}}) \cdot 100}{8L C_{\text{OUT}} \cdot V_{\text{IN(MAX)}} \cdot f^2} \%$$

where  $C_{\text{OUT}}$  = output filter capacitor

$I_{\text{OUT(MAX)}}$  = maximum output load current

The output capacitance is usually many times larger than the minimum value in order to handle the transient response

**Table 1. Inductor Vendor Information**

SUPPLIER	PHONE	FAX	WEB SITE
Coilcraft	(847) 639-6400	(847) 639-1469	www.coilcraft.com
CoEv Magnetics	(800) 227-7040	(650) 361-2508	www.circuitprotection.com/magnetics.asp
Murata	(814) 237-1431 (800) 831-9172	(814) 238-0409	www.murata.com
Sumida	USA: (847) 956-0666 Japan: 81(3) 3607-5111	USA: (847) 956-0702 Japan: 81(3) 3607-5144	www.sumida.com
TDK	(847) 803-6100	(847) 803-6296	www.component.tdk.com
TOKO	(847) 297-0070	(847) 699-7864	www.tokoam.com

## APPLICATIONS INFORMATION

requirements of the converter. As a rule of thumb, the ratio of the operating frequency to the unity-gain bandwidth of the converter is the amount the output capacitance will have to increase from the above calculations in order to maintain the desired transient response.

The other component of ripple is due to the ESR (equivalent series resistance) of the output capacitor. Low ESR capacitors should be used to minimize output voltage ripple. For surface mount applications, Taiyo Yuden or TDK ceramic capacitors, AVX TPS series tantalum capacitors or Sanyo POSCAP are recommended. See Table 2 for contact information.

### Input Capacitor Selection

Since  $PV_{IN}$  is the supply voltage for the IC it is recommended to place at least a 4.7 $\mu$ F, low ESR ceramic bypass capacitor close to  $PV_{IN}$  and GND. It is also important to minimize any stray resistance from the converter to the battery or other power source.

### Optional Schottky Diodes

Schottky diodes across the synchronous switches B and D are not required, but do provide a lower drop during the break-before-make time (typically 15ns), thus improving efficiency. Use a surface mount Schottky diode such as an MBRM120T3 or equivalent. Do not use ordinary rectifier diodes since their slow recovery times will compromise efficiency.

### Output Voltage < 1.8V

The LTC3533 can operate as a buck converter with output voltages as low as 400mV. The part is specified at 1.8V minimum to allow operation without the requirement of a Schottky diode; Since synchronous switch D is powered from  $PV_{OUT}$ , and the  $R_{DS(ON)}$  will increase at low output voltages, a Schottky diode is required from SW2 to  $V_{OUT}$

to provide the conduction path to the output. Note that Burst Mode operation is inhibited at output voltages below 1V typical.

### Output Voltage > 4.3V

A Schottky diode from SW2 to  $V_{OUT}$  is required for output voltages over 4.3V. The diode must be located as close to the pins as possible in order to reduce the peak voltage on SW2 due to parasitic lead and trace inductances.

### Input Voltage > 4.5V

For applications with input voltages above 4.5V which could exhibit an overload or short-circuit condition, a 2 $\Omega$ /1nF series snubber is required between SW1 and GND. A Schottky diode from SW1 to  $PV_{IN}$  should also be added as close to the pins as possible. For the higher input voltages,  $V_{IN}$  bypassing becomes more critical. Therefore, a ceramic bypass capacitor as close to the  $PV_{IN}$  and GND pins as possible is also required.

### Operating Frequency Selection

Higher operating frequencies allow the use of a smaller inductor and smaller input and output filter capacitors, thus reducing board area and component height. However, higher operating frequencies also increase the IC's total quiescent current due to the gate charge of the four switches, as given by:

$$\text{Buck: } I_Q = (600e - 12 \cdot V_{IN} \cdot f) \text{ mA}$$

$$\text{Boost: } I_Q = [800e - 12 \cdot (V_{IN} + V_{OUT}) \cdot f] \text{ mA}$$

$$\text{Buck/Boost: } I_Q = [(1400e - 12 \cdot V_{IN} + 400e - 12 \cdot V_{OUT}) \cdot f] \text{ mA}$$

where  $f$  = switching frequency in Hz. Therefore frequency selection is a compromise between the optimal efficiency and the smallest solution size.

**Table 2. Capacitor Vendor Information**

SUPPLIER	PHONE	FAX	WEB SITE
AVX	(803) 448-9411	(803) 448-1943	www.avxcorp.com
Sanyo	(619) 661-6322	(619) 661-1055	www.sanyovideo.com
Taiyo Yuden	(408) 573-4150	(408) 573-4159	www.t-yuden.com
TDK	(847) 803-6100	(847) 803-6296	www.component.tdk.com

## APPLICATIONS INFORMATION

### Closing the Feedback Loop

The LTC3533 incorporates voltage mode PWM control. The control to output gain varies with operation region (buck, boost, buck/boost), but is usually no greater than 15. The output filter exhibits a double pole response, as given by:

$$f_{\text{FILTER\_POLE}} = \frac{1}{2 \cdot \pi \cdot \sqrt{L \cdot C_{\text{OUT}}}} \text{ Hz}$$

(in buck mode)

$$f_{\text{FILTER\_POLE}} = \frac{V_{\text{IN}}}{2 \cdot V_{\text{OUT}} \cdot \pi \cdot \sqrt{L \cdot C_{\text{OUT}}}} \text{ Hz}$$

(in boost mode)

where L is in Henries and C<sub>OUT</sub> is in Farads.

The output filter zero is given by:

$$f_{\text{FILTER\_ZERO}} = \frac{1}{2 \cdot \pi \cdot R_{\text{ESR}} \cdot C_{\text{OUT}}} \text{ Hz}$$

where R<sub>ESR</sub> is the equivalent series resistance of the output capacitor.

A troublesome feature in boost mode is the right-half plane zero (RHP), given by:

$$f_{\text{RHPZ}} = \frac{V_{\text{IN}}^2}{2 \cdot \pi \cdot I_{\text{OUT}} \cdot L \cdot V_{\text{OUT}}} \text{ Hz}$$

The loop gain is typically rolled off before the RHP zero frequency.

A simple Type I compensation network can be incorporated

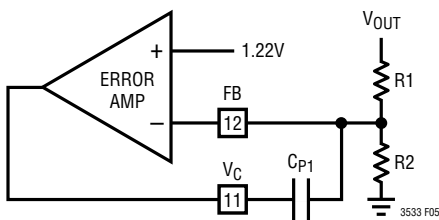


Figure 5. Error Amplifier with Type I Compensation

to stabilize the loop, but at a cost of reduced bandwidth and slower transient response. To ensure proper phase margin using Type I compensation, the loop must be crossed over a decade before the LC double pole. Referring to Figure 5, the unity-gain frequency of the error amplifier with the Type I compensation is given by:

$$f_{\text{UG}} = \frac{1}{2 \cdot \pi \cdot R1 \cdot C_{\text{P1}}} \text{ Hz}$$

Most applications demand an improved transient response to allow a smaller output filter capacitor. To achieve a higher bandwidth, Type III compensation is required, providing two zeros to compensate for the double-pole response of the output filter. Referring to Figure 6, the location of the poles and zeros are given by:

$$f_{\text{POLE1}} = \frac{1}{2 \cdot \pi \cdot 10e^3 \cdot R1 \cdot C_{\text{P1}}} \text{ Hz}$$

(which is a very low frequency)

$$f_{\text{ZERO1}} = \frac{1}{2 \cdot \pi \cdot R_Z \cdot C_{\text{P1}}} \text{ Hz}$$

$$f_{\text{ZERO2}} = \frac{1}{2 \cdot \pi \cdot R1 \cdot C_{\text{Z1}}} \text{ Hz}$$

$$f_{\text{POLE2}} = \frac{1}{2 \cdot \pi \cdot R_Z \cdot C_{\text{P2}}} \text{ Hz}$$

where resistance is in Ohms and capacitance is in Farads.

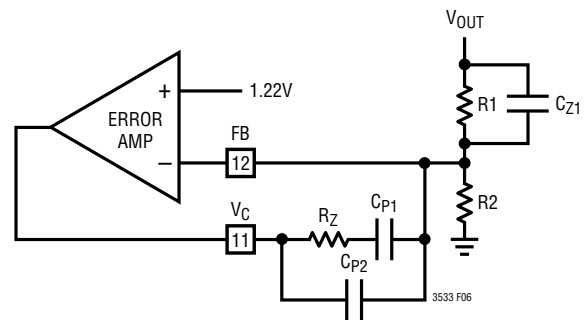
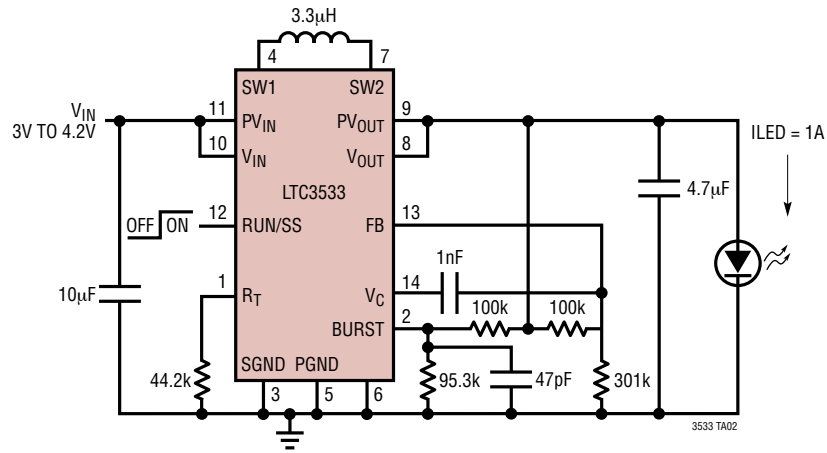


Figure 6. Error Amplifier with Type III Compensation

# TYPICAL APPLICATIONS

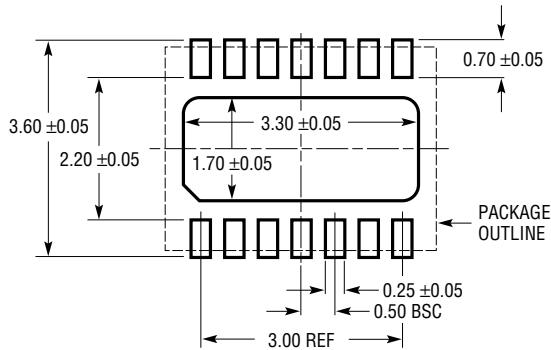
## High Efficiency, High Current LED Driver



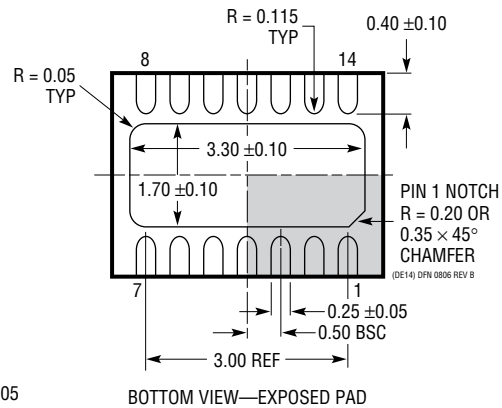
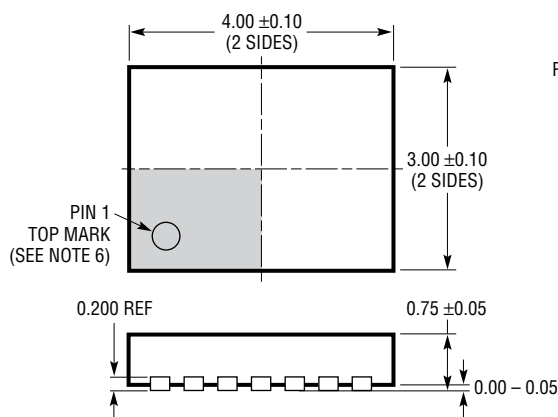
## PACKAGE DESCRIPTION

Please refer to <http://www.linear.com/product/LTC3533#packaging> for the most recent package drawings.

**DE Package**  
**14-Lead Plastic DFN (4mm × 3mm)**  
 (Reference LTC DWG # 05-08-1708 Rev B)



RECOMMENDED SOLDER PAD PITCH AND DIMENSIONS  
 APPLY SOLDER MASK TO AREAS THAT ARE NOT SOLDERED



- NOTE:
1. DRAWING PROPOSED TO BE MADE VARIATION OF VERSION (WGED-3) IN JEDEC PACKAGE OUTLINE MO-229
  2. DRAWING NOT TO SCALE
  3. ALL DIMENSIONS ARE IN MILLIMETERS
  4. DIMENSIONS OF EXPOSED PAD ON BOTTOM OF PACKAGE DO NOT INCLUDE MOLD FLASH. MOLD FLASH, IF PRESENT, SHALL NOT EXCEED 0.15mm ON ANY SIDE
  5. EXPOSED PAD SHALL BE SOLDER PLATED
  6. SHADED AREA IS ONLY A REFERENCE FOR PIN 1 LOCATION ON THE TOP AND BOTTOM OF PACKAGE

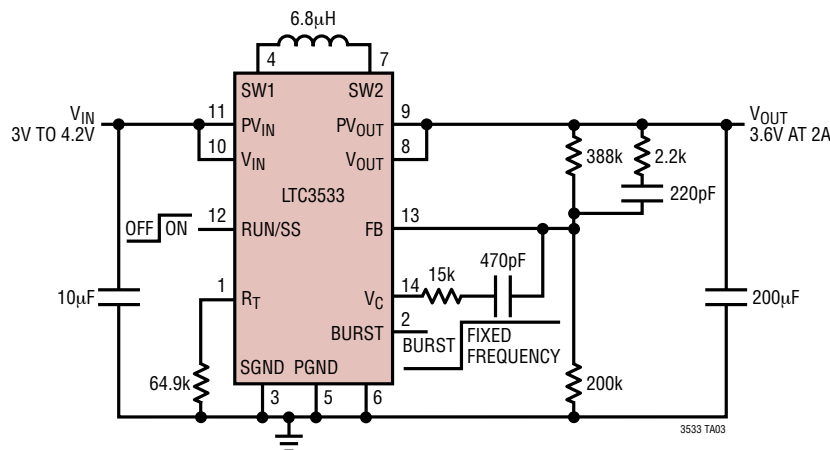


**REVISION HISTORY** (Revision history begins at Rev B)

REV	DATE	DESCRIPTION	PAGE NUMBER
B	01/16	Corrected part number in Order Information	2
		Modified Burst Mode Operation	10
		Moved application circuit to back page	18

## TYPICAL APPLICATION

1MHz Li-Ion to 3.6V at 2A, Pulsed, with Manual Mode Control



## RELATED PARTS

PART NUMBER	DESCRIPTION	COMMENTS
<a href="#">LTC3113</a>	3A Low Noise Buck-Boost DC/DC Converter	$V_{IN}$ : 1.8V to 5.5V, $V_{OUT}$ : 1.8V to 5.5V, $I_Q = 300\mu A$ , $I_{SD} < 1\mu A$ , 20-Pin TSSOP Package, 4mm × 5mm DFN
<a href="#">LTC3127</a>	1A Buck-Boost DC/DC Converter with Programmable Input Current Limit	$V_{IN}$ : 1.8V to 5.5V, $V_{OUT}$ : 1.8V to 5.25V, $I_Q = 35\mu A$ , $I_{SD} < 4mA$ , 12-Pin MSOP Package, 3mm × 3mm DFN
<a href="#">LTC3401/LT3402</a>	1A/2A ( $I_{SW}$ ), 3MHz Synchronous Step-Up DC/DC Converter	$V_{IN}$ : 0.5V to 5V, $V_{OUT(MAX)} = 6V$ , $I_Q = 38mA$ , $I_{SD} < 1\mu A$ , MS Package
<a href="#">LTC3411</a>	1.25A ( $I_{OUT}$ ), 4MHz Synchronous Step-Up DC/DC Converter	$V_{IN}$ : 2.5V to 5.5V, $V_{OUT(MIN)} = 0.8V$ , $I_Q = 60\mu A$ , $I_{SD} \leq 1\mu A$ , MS Package
<a href="#">LTC3412</a>	2.5A ( $I_{OUT}$ ), 4MHz Synchronous Step-Up DC/DC Converter	$V_{IN}$ : 2.5V to 5.5V, $V_{OUT(MIN)} = 0.8V$ , $I_Q = 60\mu A$ , $I_{SD} \leq 1\mu A$ , TSSOP16E Package
<a href="#">LTC3421</a>	3A ( $I_{SW}$ ), 3MHz Synchronous Step-Up DC/DC Converter	$V_{IN}$ : 0.5V to 4.5V, $V_{OUT(MAX)} = 5.25V$ , $I_Q = 12mA$ , $I_{SD} < 1\mu A$ , QFN Package
<a href="#">LTC3440</a>	600mA ( $I_{OUT}$ ), 2MHz Synchronous Buck-Boost DC/DC Converter	$V_{IN}$ : 2.5V to 5.5V, $V_{OUT(MAX)}$ : 2.5V to 5.5V, $I_Q = 25\mu A$ , $I_{SD} < 1\mu A$ , MS, DFN Package
<a href="#">LTC3441</a>	1.2A ( $I_{OUT}$ ), 1MHz Synchronous Buck-Boost DC/DC Converter	$V_{IN}$ : 2.5V to 5.5V, $V_{OUT(MAX)}$ : 2.4V to 5.5V, $I_Q = 25\mu A$ , $I_{SD} < 1\mu A$ , DFN Package
<a href="#">LTC3442/LTC3443</a>	1.2A ( $I_{OUT}$ ), Synchronous Buck-Boost DC/DC Converters, LTC3442 (1MHz), LTC3443 (600kHz)	$V_{IN}$ : 2.4V to 5.5V, $V_{OUT(MAX)}$ : 2.4V to 5.25V, $I_Q = 28\mu A$ , $I_{SD} < 1\mu A$ , DFN Package
<a href="#">LTC3444</a>	500mA ( $I_{OUT}$ ), Synchronous Buck-Boost DC/DC Converter	$V_{IN}$ : 2.7V to 5.5V, $V_{OUT} = 0.5V$ to 5V, DFN Package, Internal Compensation
<a href="#">LTC3530</a>	600mA ( $I_{OUT}$ ), 2MHz Synchronous Buck-Boost DC/DC Converter	$V_{IN}$ : 1.8V to 5.5V, $V_{OUT}$ : 1.8V to 5.25V, $I_Q = 40\mu A$ , $I_{SD} < 1\mu A$ , 10-Pin MSOP Package, 3mm × 3mm DFN
<a href="#">LTC3532</a>	500mA ( $I_{OUT}$ ), 2MHz Synchronous Buck-Boost DC/DC Converter	$V_{IN}$ : 2.4V to 5.5V, $V_{OUT}$ : 2.4V to 5.5V, $I_Q = 35\mu A$ , $I_{SD} < 1\mu A$ , 10-Pin MSOP Package, 3mm × 3mm DFN
<a href="#">LTC3536</a>	1A ( $I_{OUT}$ ) Low Noise Buck-Boost DC/DC Converter	$V_{IN}$ : 1.8V to 5.5V, $V_{OUT}$ : 1.8V to 5.5V, $I_Q = 32\mu A$ , $I_{SD} < 1\mu A$ , 12-Pin MSOP Package, 3mm × 3mm DFN

Thin SOT is a trademark of Linear Technology Corporation.