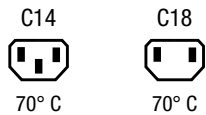


IEC Appliance Inlet C14/C18, Screw-on Mounting, Front Side, Solder or Quick-connect, Screw Terminal



Description

- Panel Mount :
Screw-on mounting , Front Side
- 1 Function
- Appliance Inlet , Pin temperature 70 °C , protection class I or II
- Solder, Quick Connect or Screw Terminals

Approvals

- Approval Reference Type: 6061
- VDE Certificate Number: 40011871
- UL File Number: E96454
- CSA Certification Record: 27324

Other versions on request

- Variant with notch for V-Lock mating Cordsets
- PCB terminals

Weblinks

[pdf datasheet](#), [html-datasheet](#), [General Product Information](#), [Approvals](#), [CE declaration of conformity](#), [RoHS](#), [CHINA-RoHS](#), [REACH](#), [Distributor-Stock-Check](#), [Accessories](#), [Detailed request for product](#), [Microsite](#)

Newly available variants corresponding to V-Lock mating cordset. The connector is equipped with a notch intended for use with the latching cordset. The cord latching system prevents against accidental removal of the cordset.

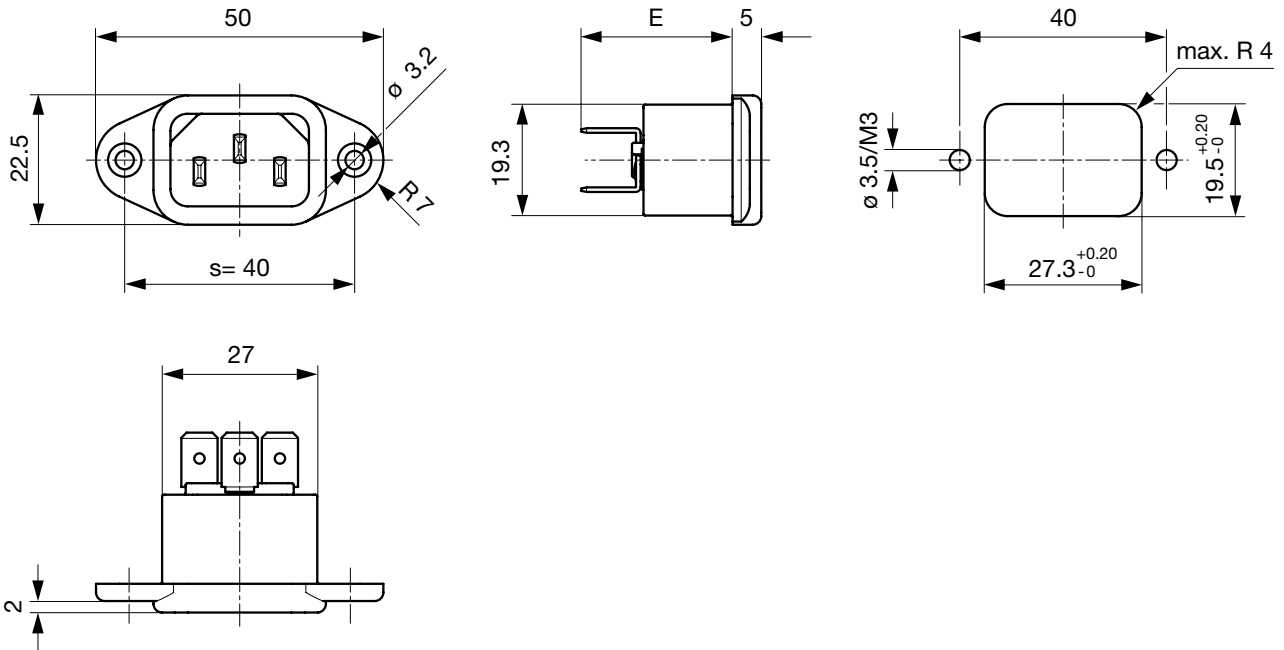
Technical Data

Ratings IEC	10A / 250VAC; 50Hz	appliance inlet/-outlet	C14 / C18 acc. to IEC 60320-1 UL 60320-1, CSA C22.2 no. 60320-1 (for cold conditions) pin-temperature 70 °C, 10A, Protection Class I or II
Ratings UL/CSA	15A / 250VAC; 60Hz		
Dielectric Strength	> 3 kVAC between L-N > 1.5 kVAC between L/N-PE (1 min/50Hz)		
Allowable Operation Temperature	-25 °C to 70 °C		
IP-Protection	from front side IP 20 acc. to IEC 60529		
Insulation cover	Suitable for appliances with protection class I or II acc. to IEC 61140		
Material: Housing	PA6, black / grey / white, UL 94V-0		

Detailed information on product approvals, code requirements, usage instructions and detailed test conditions can be looked up in [General Product Information](#)

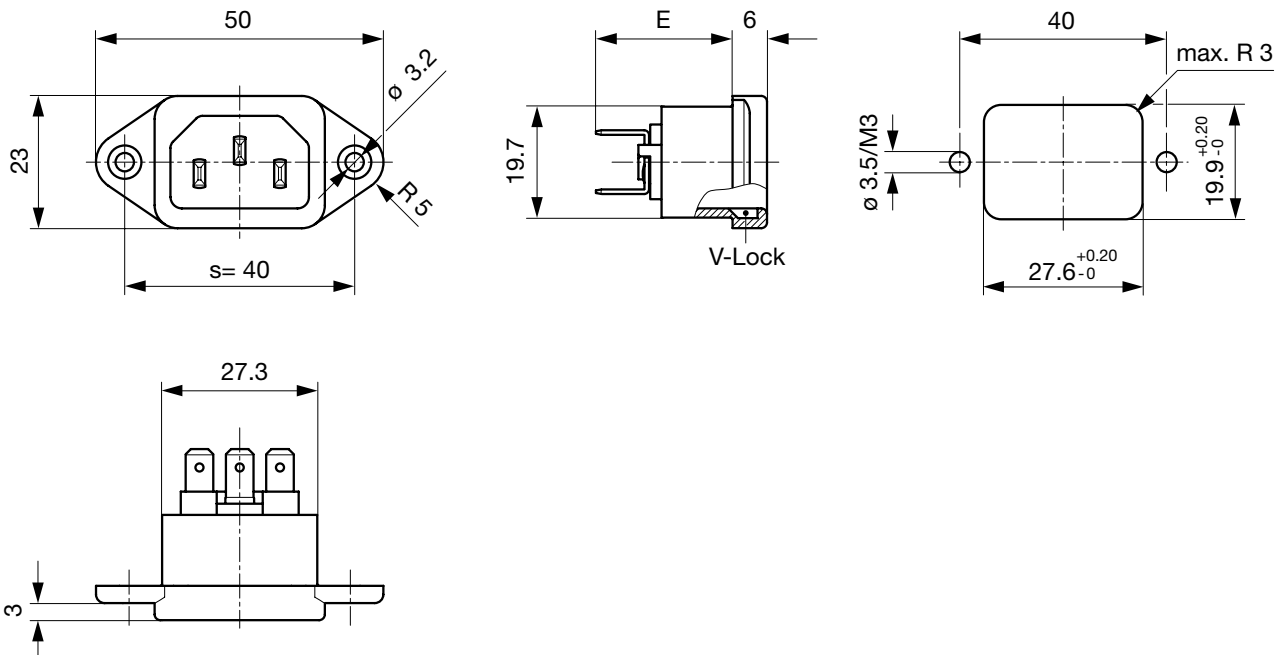
Dimensions [mm]

Countersunk mounting holes, 40 mm distance, quick connect and solder terminals



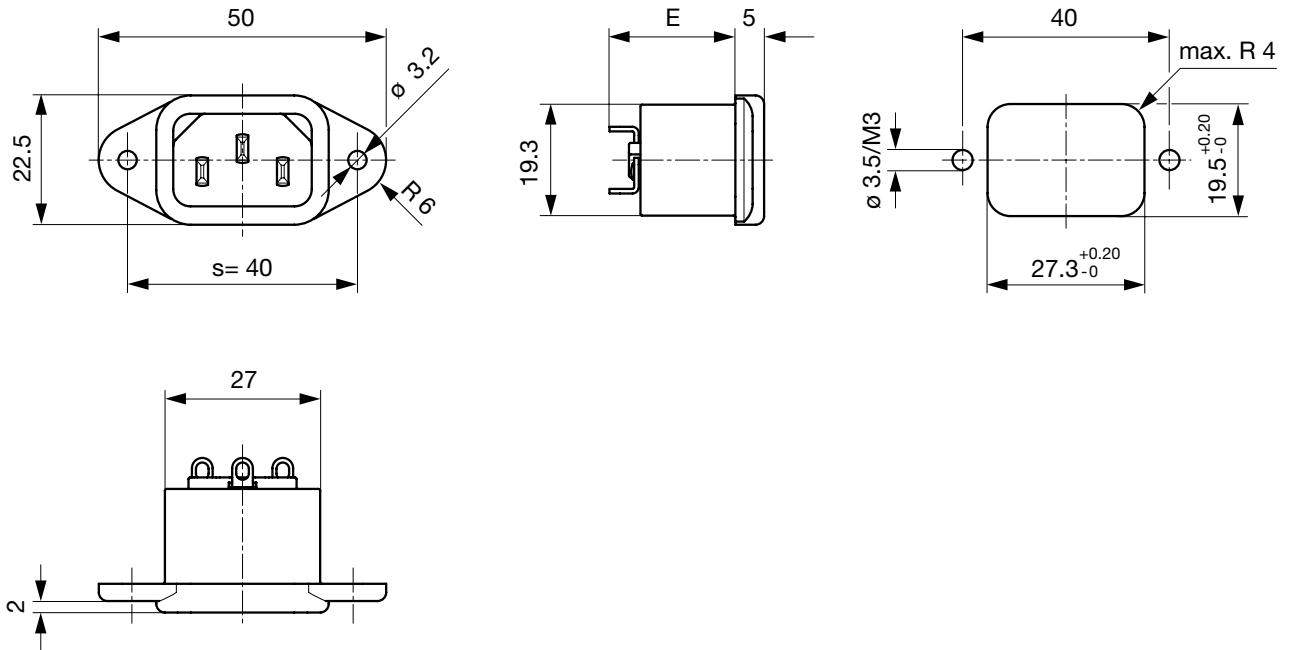
- E: Quick-connect terminals 4.8x0.8 mm: 25.3 mm
- E: Quick-connect terminals 6.3x0.8 mm: 26.3 mm
- E: Solder terminals short: 21.1 mm
- E: Solder terminals long: 24.5 mm

V-Lock version, countersunk mounting holes, 40 mm distance, quick connect and solder terminals



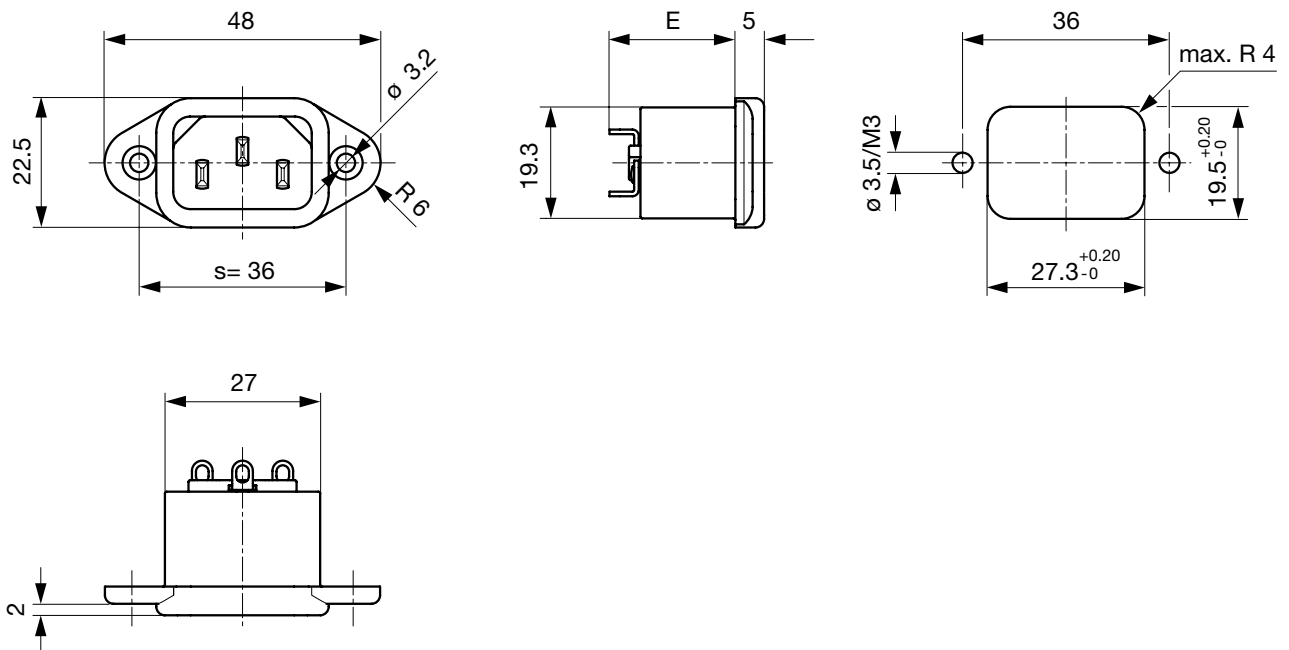
- E: Quick-connect terminals 4.8x0.8 mm: 23.8 mm
- E: Quick-connect terminals 6.3x0.8 mm: 24.8 mm
- E: Solder terminals short: 19.6 mm
- E: Solder terminals long: 23.0 mm

Through hole mounting holes, 40 mm distance, quick connect and solder terminals



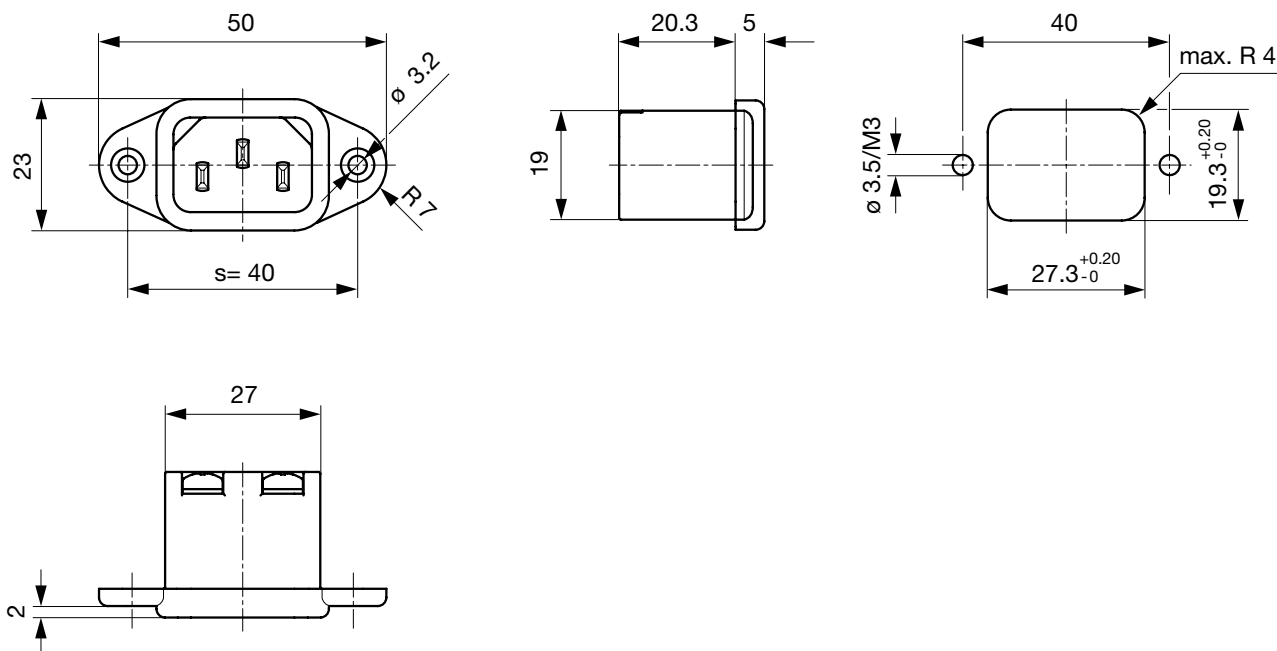
- E: Quick-connect terminals 4.8x0.8 mm: 26.1 mm
- E: Quick-connect terminals 6.3x0.8 mm: 27.1 mm
- E: Solder terminals short: 21.9 mm
- E: Solder terminals long: 25.3 mm

Countersunk mounting holes, 36 mm distance, quick connect and solder terminals

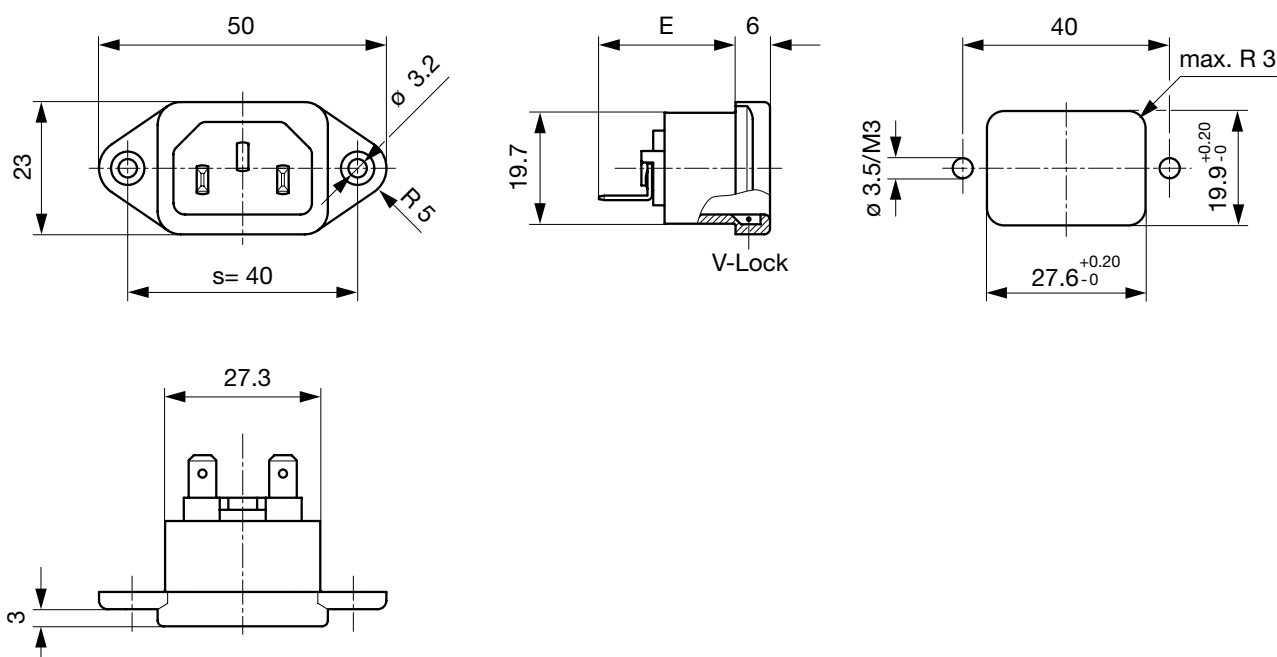


- E: Quick-connect terminals 4.8x0.8 mm: 26.1 mm
- E: Quick-connect terminals 6.3x0.8 mm: 27.1 mm
- E: Solder terminals short: 21.9 mm
- E: Solder terminals long: 25.3 mm

Countersunk mounting holes, 40 mm distance, screw terminals



Protection class II, countersunk mounting holes, 40 mm distance, quick connect and solder terminals



E: Quick-connect terminals 4.8x0.8 mm: 23.8 mm

E: Quick-connect terminals 6.3x0.8 mm: 24.8 mm

E: Solder terminals short: 19.3 mm

E: Solder terminals long: 23.0 mm

Config. Code

6061 - H - ABC 0 - D - EGO

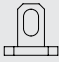

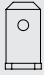

The characters are placeholders for the correspondingly keys of selections from the key tables.

6061 - **H** - ABC 0 - D - EGO = Type

Type	Configuration key
protection class II	B
protection class I	X

Protection class II only with V-Lock

6061 - H - A B C 0 - D - E G O = Terminals

Terminal L	Configuration key
short solder terminal (L = 4.8 mm) 	2
long solder terminal (L = 8.5 mm) 	3
Blade terminal (4.8 x 0.8 mm) 	8
Blade terminal (6.3 x 0.8 mm) 	9
screw terminal	A

6061 - H - A B C 0 - D - E G O = Terminals

Terminal N	Configuration key
short solder terminal (L = 4.8 mm)	2
long solder terminal (L = 8.5 mm)	3
Blade terminal (4.8 x 0.8 mm)	8
Blade terminal (6.3 x 0.8 mm)	9
screw terminal	A

Symbols similar as in table A

6061 - H - A B C 0 - D - E G O = Terminals

Terminal Ground	Configuration key
without terminal	0
short solder terminal (L = 4.8 mm)	2

Symbols similar as in table A

Terminal Ground	Configuration key
long solder terminal (L = 8.5 mm)	3
Blade terminal (4.8 x 0.8 mm)	8
Blade terminal (6.3 x 0.8 mm)	9
screw terminal	A

Symbols similar as in table A

6061 - H - A B C 0 - D - E G O = Color

Color	Configuration key
Black	A
Grey	B
White	D

6061 - H - A B C 0 - D - E G O = Style

Style	Configuration key
flange with countersunk holes	1
flange with through holes	2

6061 - H - A B C 0 - D - E G O = Mass S

Mass "s"	Configuration key
36	
40	

The dimension "S" is displayed in (¹/₁₀ mm). This information is also valid for the order code

6061 - H - A B C 0 - D - E G O = Features

Features	Configuration key
without V-Lock	
V-Lock	V

V-Lock only with Dimension "X" = 40

All Variants

Config. Code	Description	Order Number
6061-X-2220-A-136	6061, IEC Appliance Inlet C14, 70°C, version: protection class I, L: short solder terminal (L = 4.8 mm), N: short solder terminal (L = 4.8 mm), ground: short solder terminal (L = 4.8 mm), color: Black, design: flange with countersunk holes, dimension S: 36, features:	6162.0045
6061-X-2220-A-140	6061, IEC Appliance Inlet C14, 70°C, version: protection class I, L: short solder terminal (L = 4.8 mm), N: short solder terminal (L = 4.8 mm), ground: short solder terminal (L = 4.8 mm), color: Black, design: flange with countersunk holes, dimension S: 40, features:	6162.0046
6061-X-2220-A-240	6061, IEC Appliance Inlet C14, 70°C, version: protection class I, L: short solder terminal (L = 4.8 mm), N: short solder terminal (L = 4.8 mm), ground: short solder terminal (L = 4.8 mm), color: Black, design: flange with through holes, dimension S: 40, features:	6162.0047
6061-X-2220-B-140	6061, IEC Appliance Inlet C14, 70°C, version: protection class I, L: short solder terminal (L = 4.8 mm), N: short solder terminal (L = 4.8 mm), ground: short solder terminal (L = 4.8 mm), color: Grey, design: flange with countersunk holes, dimension S: 40, features:	6162.0048
6061-X-3330-A-136	6061, IEC Appliance Inlet C14, 70°C, version: protection class I, L: long solder terminal (L = 8.5 mm), N: long solder terminal (L = 8.5 mm), ground: long solder terminal (L = 8.5 mm), color: Black, design: flange with countersunk holes, dimension S: 36, features:	6162.0049

Config. Code	Description	Order Number
6061-X-3330-A-140	6061, IEC Appliance Inlet C14, 70°C, version: protection class I, L: long solder terminal (L = 8.5 mm), N: long solder terminal (L = 8.5 mm), ground: long solder terminal (L = 8.5 mm), color: Black, design: flange with countersunk holes, dimension S: 40, features:	6162.0050
6061-X-3330-B-140	6061, IEC Appliance Inlet C14, 70°C, version: protection class I, L: long solder terminal (L = 8.5 mm), N: long solder terminal (L = 8.5 mm), ground: long solder terminal (L = 8.5 mm), color: Grey, design: flange with countersunk holes, dimension S: 40, features:	6162.0052
6061-X-8880-A-136	6061, IEC Appliance Inlet C14, 70°C, version: protection class I, L: Blade terminal (4.8 x 0.8 mm), N: Blade terminal (4.8 x 0.8 mm), ground: Blade terminal (4.8 x 0.8 mm), color: Black, design: flange with countersunk holes, dimension S: 36, features:	6162.0054
6061-X-8880-A-140	6061, IEC Appliance Inlet C14, 70°C, version: protection class I, L: Blade terminal (4.8 x 0.8 mm), N: Blade terminal (4.8 x 0.8 mm), ground: Blade terminal (4.8 x 0.8 mm), color: Black, design: flange with countersunk holes, dimension S: 40, features:	6162.0055
6061-X-9990-A-136	6061, IEC Appliance Inlet C14, 70°C, version: protection class I, L: Blade terminal (6.3 x 0.8 mm), N: Blade terminal (6.3 x 0.8 mm), ground: Blade terminal (6.3 x 0.8 mm), color: Black, design: flange with countersunk holes, dimension S: 36, features:	6162.0057
6061-X-9990-A-140	6061, IEC Appliance Inlet C14, 70°C, version: protection class I, L: Blade terminal (6.3 x 0.8 mm), N: Blade terminal (6.3 x 0.8 mm), ground: Blade terminal (6.3 x 0.8 mm), color: Black, design: flange with countersunk holes, dimension S: 40, features:	6162.0058
6061-X-9990-B-140	6061, IEC Appliance Inlet C14, 70°C, version: protection class I, L: Blade terminal (6.3 x 0.8 mm), N: Blade terminal (6.3 x 0.8 mm), ground: Blade terminal (6.3 x 0.8 mm), color: Grey, design: flange with countersunk holes, dimension S: 40, features:	6162.0059
6061-X-AAA-A-140	6061, IEC Appliance Inlet C14, 70°C, version: protection class I, L: screw terminal, N: screw terminal, ground: screw terminal, color: Black, design: flange with countersunk holes, dimension S: 40, features:	6162.0061
6061-X-2220-A-140V	6061, IEC Appliance Inlet C14, 70°C, version: protection class I, L: short solder terminal (L = 4.8 mm), N: short solder terminal (L = 4.8 mm), ground: short solder terminal (L = 4.8 mm), color: Black, design: flange with countersunk holes, dimension S: 40, features: V-Lock	6162.0157
6061-X-8880-A-140V	6061, IEC Appliance Inlet C14, 70°C, version: protection class I, L: Blade terminal (4.8 x 0.8 mm), N: Blade terminal (4.8 x 0.8 mm), ground: Blade terminal (4.8 x 0.8 mm), color: Black, design: flange with countersunk holes, dimension S: 40, features: V-Lock	6162.0158
6061-X-9990-A-140V	6061, IEC Appliance Inlet C14, 70°C, version: protection class I, L: Blade terminal (6.3 x 0.8 mm), N: Blade terminal (6.3 x 0.8 mm), ground: Blade terminal (6.3 x 0.8 mm), color: Black, design: flange with countersunk holes, dimension S: 40, features: V-Lock	6162.0159
6061-B-9900-A-140V	6061, IEC Appliance Inlet C18, 70°C, version: protection class II, L: Blade terminal (6.3 x 0.8 mm), N: Blade terminal (6.3 x 0.8 mm), ground: without terminal, color: Black, design: flange with countersunk holes, dimension S: 40, features: V-Lock	6162.0175

The listed variants should be available from stock. Other versions on request www.schurter.com/contact

Most Popular.

Availability for all products can be searched real-time: <http://www.schurter.com/en/Stock-Check/Stock-Check-SCHURTER>

Packaging unit 50 Pcs

Accessories

Description



Assorted Covers
Rear Cover

Mating Outlets/Connectors

Category / Description

[Appliance Outlet Overview complete](#)



IEC Appliance Outlet F, Screw-on Mounting, Front Side, Solder Terminal	4787
IEC Appliance Outlet F, Snap-in Mounting, Front Side, Solder or Quick-connect Terminal	4788
IEC Appliance Outlet F or H, Screw-on Mounting, Front Side, Solder, PCB or Quick-connect Terminal	5091

[Appliance Outlet further types to 6061](#)

Connector Overview complete



4782 Mounting: Power Cord, 3 x 1 mm ² / 3 x 18 AWG, Cable, Connector: IEC C13	4782
4022 Mounting: Power Supply Cord, 3 x 1.5 mm ² , Screw clamps, Connector: IEC C13	4022
4785 Mounting: Power Cord, 3 x 1 mm ² / 3 x 18 AWG, Cable, Connector: IEC C13	4785
4300-06 Mounting: Power Cord, 3 x 1 mm ² / 3 x 18 AWG, Cable, Connector: IEC C13	4300-06
4012 Mounting: Power Supply Cord, 3 x 1.5 mm ² , Screw clamps, Connector: IEC C13	4012
Connector further types to 6061	...

Mating Outlets/Connectors shuttered

Power Cord Overview complete



Power cord with IEC connector C17, V-Lock, straight	VAC17KS
VAC13KS, Overview, diverse Connector IEC C13, cord end:	VAC13KS
Power Cord further types to 6061	