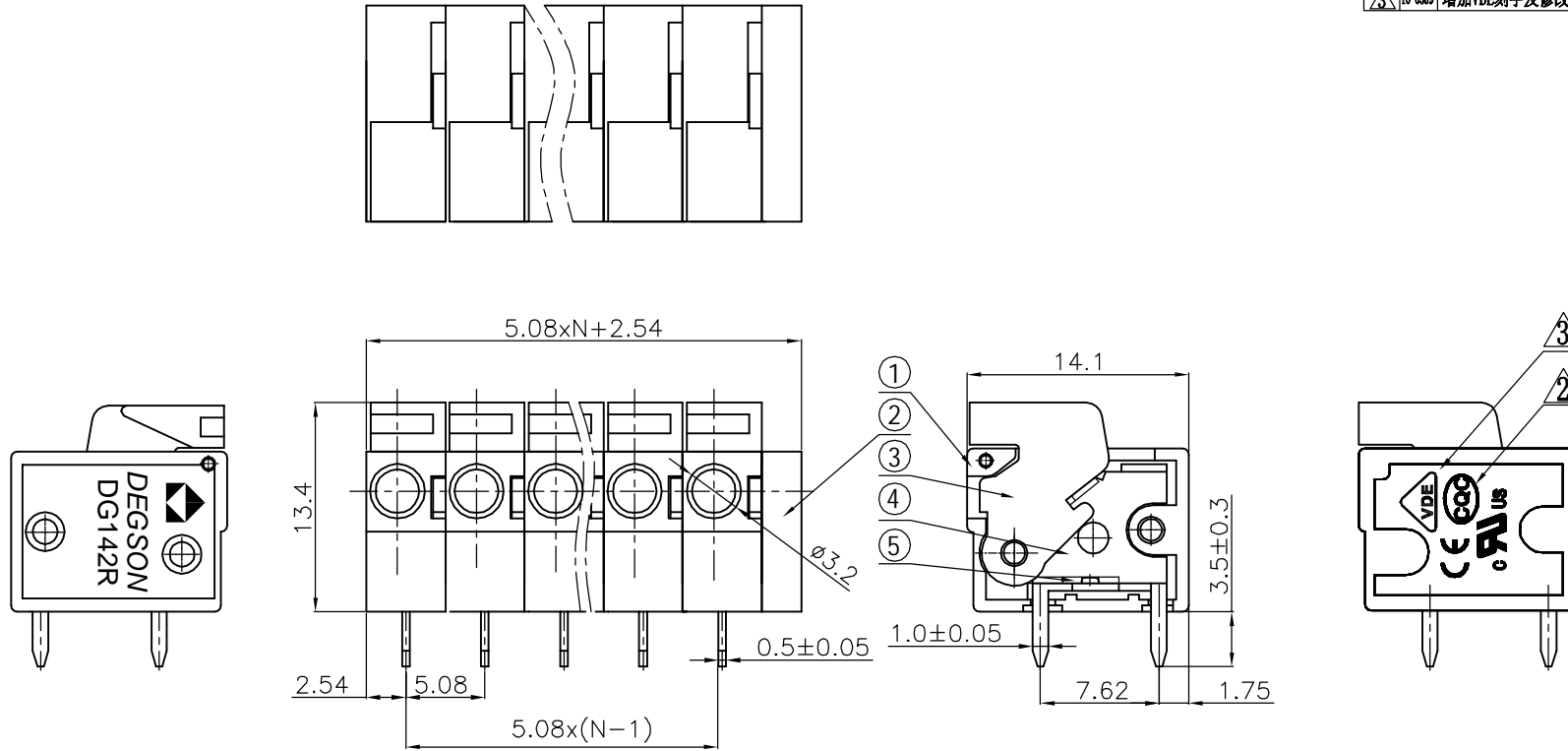


REVISION RECORD				
REV	ECN	DESCRIPTION	DRFT	DATE
△		图面更新	HW	05/04/06
△		增加CQC刻字	WLM	01/12/09
△	10-0369	增加VDE刻字及修改参数	ZXX	10/21/10



Notes:

1. Pitch:5.08mm ,Poles:XXP
2. Rated voltage/current:UL 300V/10A
VDE 250V/15A
3. Operation temperatures:-40℃~+105℃
4. Withstanding Voltage:AC2000V/1Min
5. Insulation Resistance:5000MΩ/DC1000V
6. Wire Range:22~16AWG, 0.2~1.5mm²
7. Undimensioned Tolerances:

Pitch range in mm			Nominal dimension range in mm					
to	over	to	over	over	over	over		
6	6	10	30	60	100	150	∩	
10	10	24	30	60	100	150	∇	
±0.10	±0.15	±0.25	±0.2	±0.3	±0.5	±0.7	±1	
							0.05/10	

5	DG142 Spring	X000000130 (H)	XX	Stainless Steel	
4	DG142R Pin header	3005B00010 (H)	XX	Brass	SnCe plated
3	DG142-5.08 Button	3003D0501A (H)	XX	PA66	UL94V-0
2	DG142-5.08 Cover	3003C0Y01A (H)	1	PA66	UL94V-0

ITEM	NAME OF PART	NO. OF PART	Q'TY	MATERIAL	NOTES
1	DG142R-5.08 Housing	3005A0Y01A (H)	XX	PA66	UL94V-0

DETAILED LISTS	MM (INCH)	DFTO Home	DATE 02/09/06
		CHKD	DATE
	TOLERANCES EXCEPT AS NOTED	MFO	DATE
	MM	APPVL	DATE
	.0 ±		
	.00 ±		
	.000 ±		
		MATERIAL :	
	ANGLES ± 1°	G.E :	
	THIRD ANGLE PROJECTION	FINISH :	
		SCALE : 1;1	

NAME		DEGSON® 宁波高正电子有限公司	
DG142R-5.08-XXP-1Y-00A(H)		DEGSON ELECTRONICS CO., LTD	
DRAWING NO. DG142R-5.08-E04		SIZE	REV
/PART NO.		A3	T3
			10/21/10
DO NOT SCALE DRAWING		SHEET 1	OF 1