



DC Power Plug Series

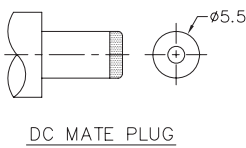
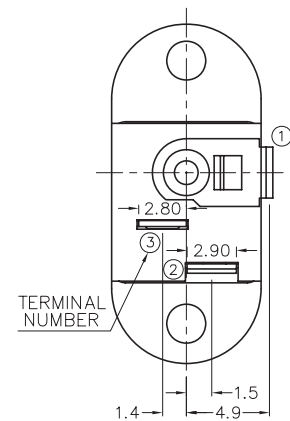
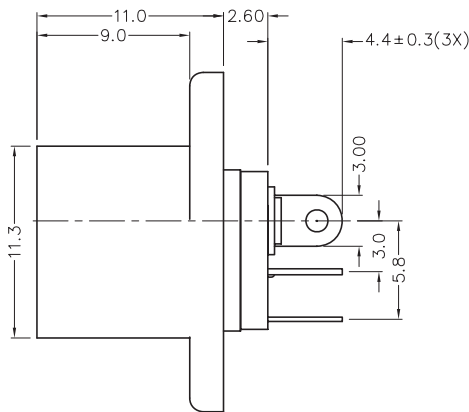
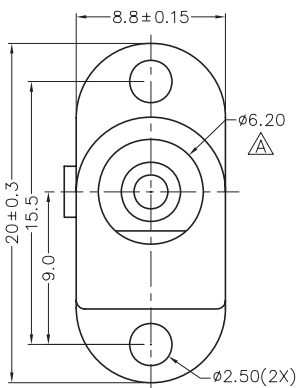
KLS1-DC-017 (DC Power Socket)

Technical parameters:

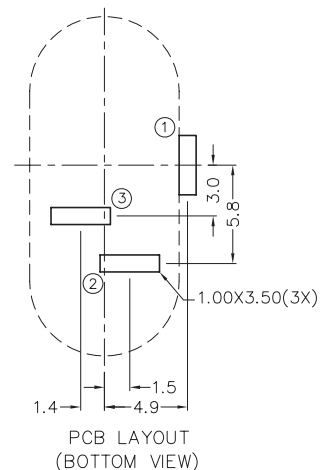
Contact resistance: 0.03Ω, max
Insulation resistance: 100MΩ, min
Pressure: AC500V (50Hz) / 1minute
Rated Load: DC 16V 2.0A Max
Actuating Force: 3~20N
Life: 5000 times
Operating Temperature: -30°C ~ 70°C

Material:

Centre Pin: Coppep
Terminal 1 : Brass
Terminal 2 : Copper alloy
Terminal 3 : Brass
Housing : PBT
Cover : PBT



MODEL NO.	DC-017
SCHEMATIC	
CENTER PIN	Ø2mm
	Ø2.5mm



ORDER INFORMATION

Product NO.: KLS1-DC-017-2.0

