

# D COMPACT ENCLOSED SWITCH

## Features

- High precision and long life.
- Suitable for applications demanding higher mechanical strength,
- Gasket diaphragm seal provides high environmental resistance.



## Specifications

Item	Standard
Rating	10A, 125V or 250VAC
Contact Resistance	25mΩ max.(initial)
Insulation Resistance	100MΩ min. (at 500VDC)
Dielectric Strength	1,000VAC,50/60Hz for 1 minute
Service Life Mechanically:	1,000,000 operations min.
Service Life Electrically	100,000 operations min.

## Product Selection

D   
1

### HEAD AND ACTUATOR

**5000:** Push plunger type

**5020:** Roller plunger type

**5040:** Cross Roller plunger type

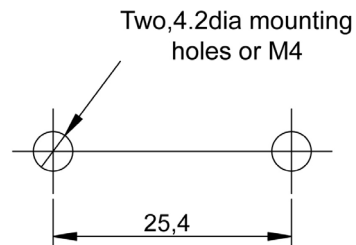
**1000:** Lever type

**1020:** Short Lever type

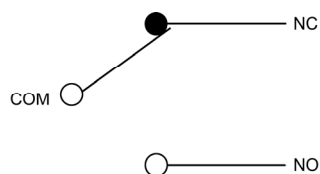
**2000:** Lever roller type

**2020:** Short Lever roller type

## Mounting Hole



## Contact Configuration



**HIGHLY**

C9

Design, specifications are subject to change without notice.

# D COMPACT ENCLOSED SWITCH

## Operating Characteristics

Unit : mm

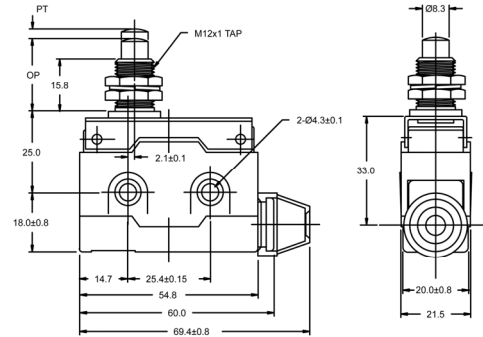
Item NO.

Dimensions

### D5000



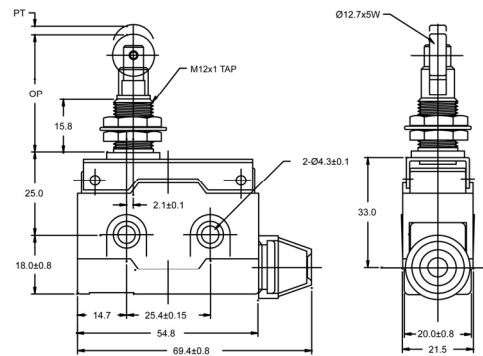
OF max.	600g
RF min.	100g
PT max.	1.6mm
OT min.	5mm
MD max.	0.2mm
OP	21.8± 1.2mm
FP	--



### D5020



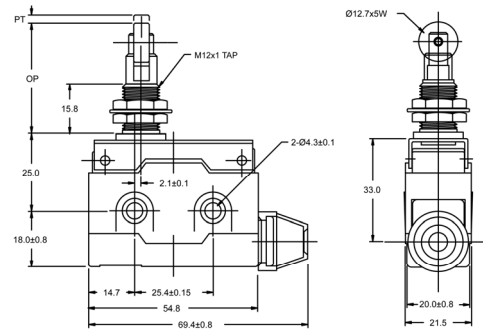
OF max.	600g
RF min.	100g
PT max.	1.6mm
OT min.	5mm
MD max.	0.2mm
OP	33.35± 1.2mm
FP	--



### D5040



OF max.	600g
RF min.	100g
PT max.	1.6mm
OT min.	5mm
MD max.	0.2mm
OP	33.35± 1.2mm
FP	--



**HIGHLY**

C10

Design, specifications are subject to change without notice.

# D COMPACT ENCLOSED SWITCH

## Operating Characteristics

Unit : mm

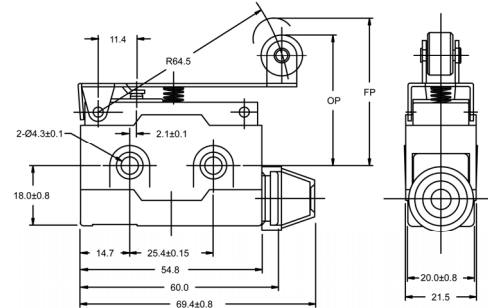
Item NO.

Dimensions

### D2000



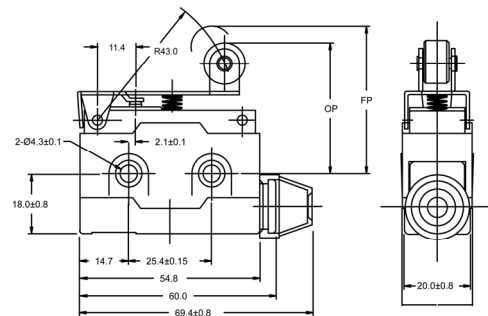
OF max.	195g
RF min.	28g
PT max.	8.5mm
OT min.	3.2mm
MD max.	2.6mm
OP	40± 1mm
FP	50mm



### D2020



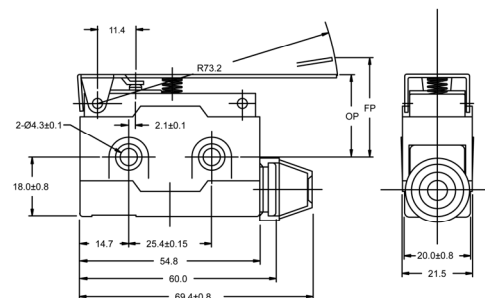
OF max.	300g
RF min.	40g
PT max.	6mm
OT min.	2mm
MD max.	1.5mm
OP	40±1mm
FP	46mm



### D1000



OF max.	170g
RF min.	25g
PT max.	10mm
OT min.	4mm
MD max.	3mm
OP	25± 1mm
FP	35mm



**HIGHLY**

C11

Design, specifications are subject to change without notice.

# D COMPACT ENCLOSED SWITCH

## Operating Characteristics

Unit : mm

Item NO.

Dimensions

D1020



OF max. 260g

RF min. 35g

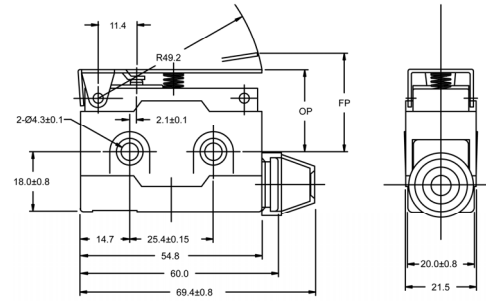
PT max. 7mm

OT min. 2.5mm

MD max. 1.7mm

OP 25± 1mm

FP 32mm



## NOTE:

HIGHLY

C12

Design, specifications are subject to change without notice.