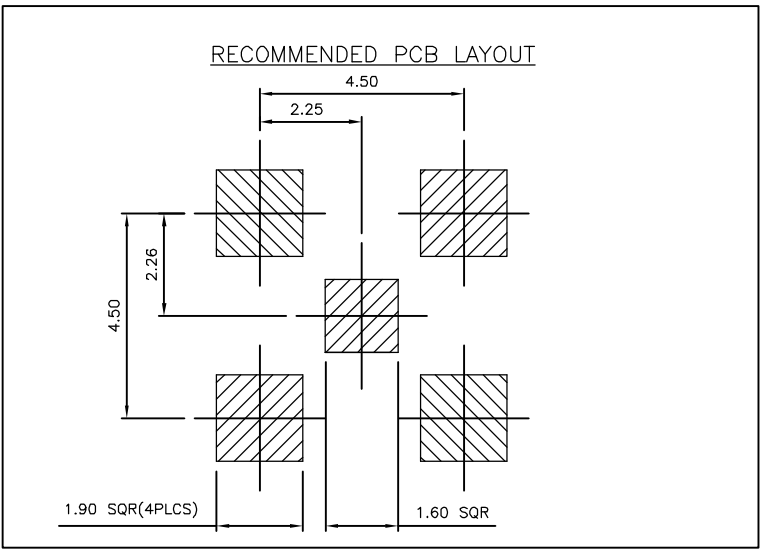
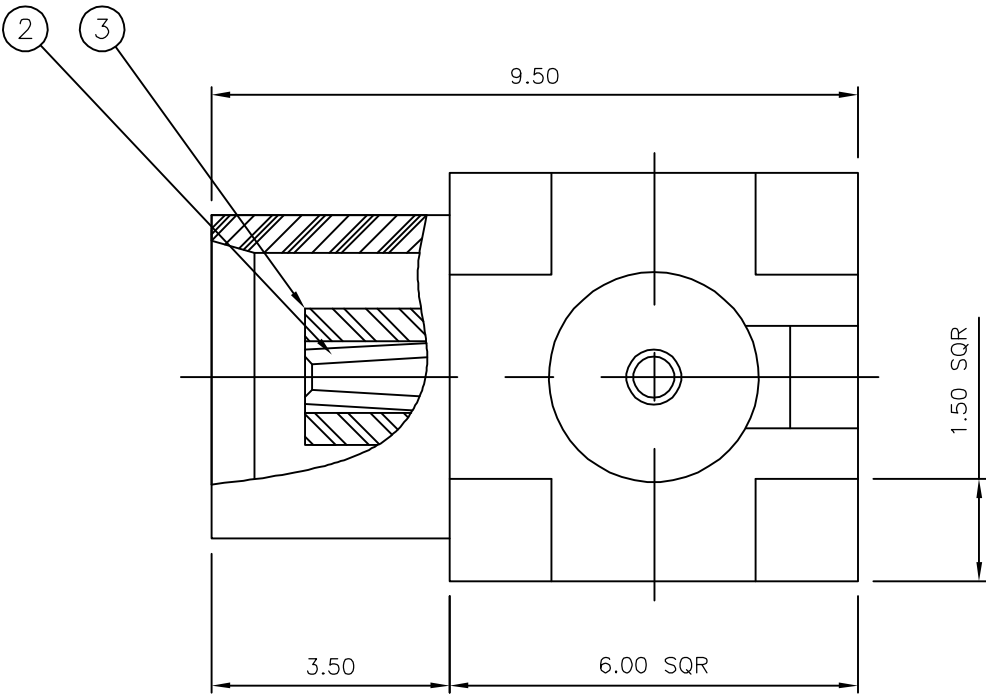
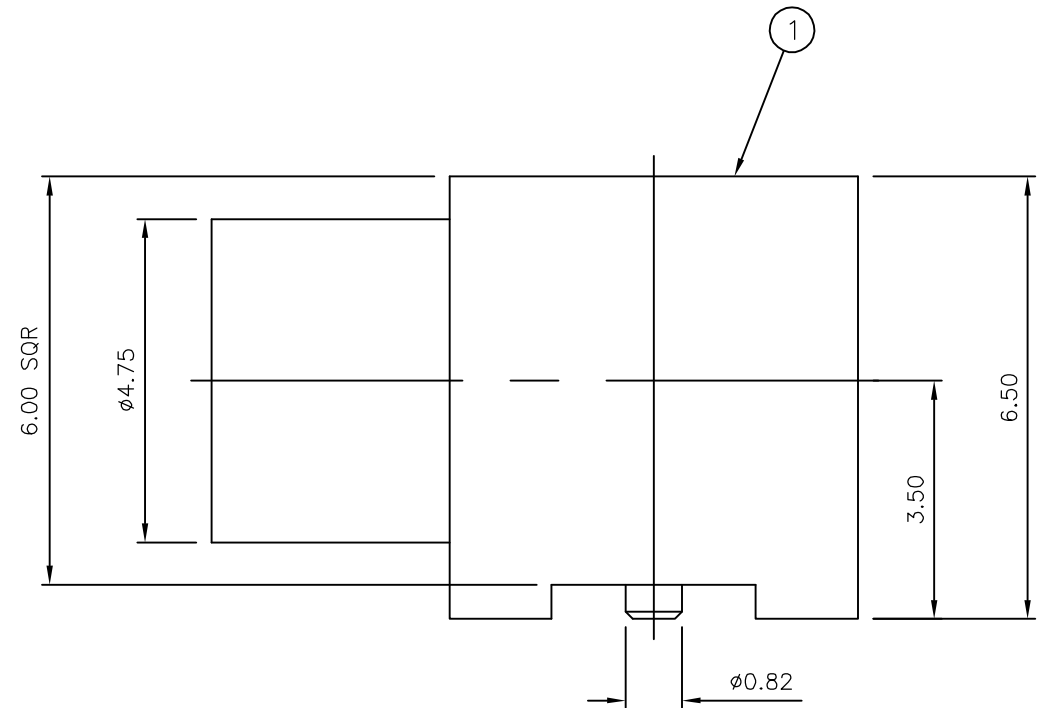


THIS DRAWING IS UNPUBLISHED. RELEASED FOR PUBLICATION FEB ,2006.
 © COPYRIGHT 2006 BY TYCO ELECTRONICS CORPORATION. ALL RIGHTS RESERVED.

LOC	DIST	REVISIONS					
E	B	P	LTR	DESCRIPTION	DATE	DWN	APVD
		D		ECR-06-024709	19OCT06	JMS	FWK

NOTES:

- 1 PACK IN ACCORDANCE WITH AMP SPEC 107-3275
- 2 TAPE AND REEL PACKAGING OPTION AS PER NOTES 11 AND 14
- 3 Au PLATING
- 4 ELECTRICAL CHARACTERISTICS
 FREQUENCY RANGE: DC - 6 GHz
 NOMINAL IMPEDANCE: 50 Ohm
 INSULATION RESISTANCE: 1000 MOhm
 WORKING VOLTAGE: 335 Volts RMS at Sea Level
 DIELECTRIC WITHSTAND VOLTAGE: 1000 Volts RMS Max
 CONTACT RESISTANCE:
 CENTRE CONTACT: 5.00 mOhm Max
 OUTER CONTACT: 1.00 mOhm Max
 VSWR @ 4GHz: N/A
 INSERTION LOSS dB @ x 1.0 GHz: 0.10 Max
- 5 MECHANICAL CHARACTERISTICS
 COUPLING NUT RETENTION FORCE: N/A
 DURABILITY: 500 Cycles Min
- 6 ENVIRONMENTAL CHARACTERISTICS
 OPERATING TEMPERATURE: -65 to +165 DegC
- 7. FOR TECHNICAL DATA REFER TO YOUR LOCAL TYCO ELECTRONICS SALES OFFICE
- 8. ALL DIMENSIONS ARE NOMINAL FOR REFERENCE ONLY UNLESS OTHERWISE STATED



QTY	QTY	MATERIAL	DESCRIPTION	ITEM
1	1	PTFE	INSULATION	3
1	1	BERYLLIUM COPPER	CONTACT	2
1	1	BRASS	BODY	1
6--0	1--0			

QUANTITY PER ASSY PARTS LIST

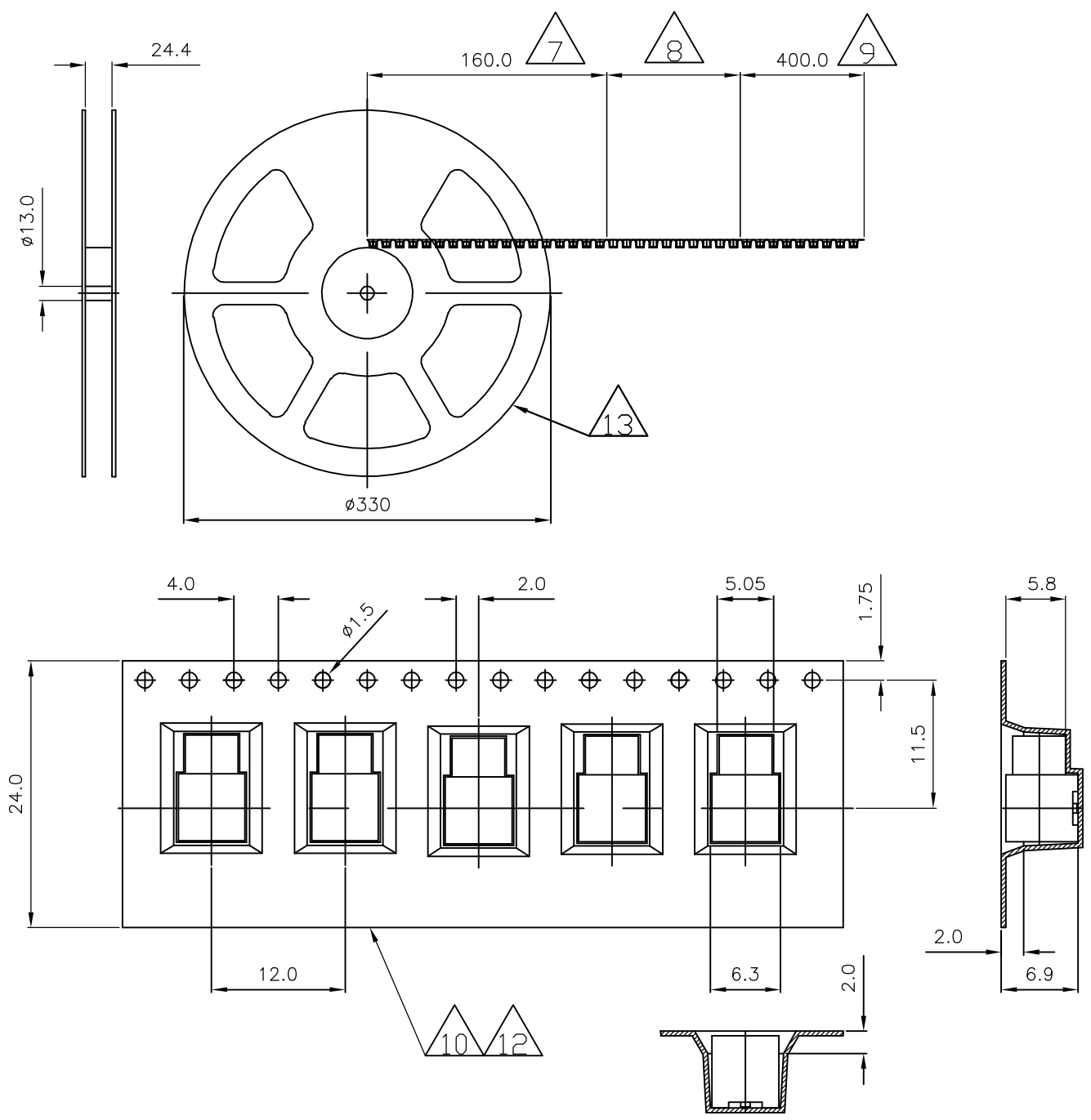
THIS DRAWING IS A CONTROLLED DOCUMENT.		DWN J.SANDWELL 02FEB06	Tyco Electronics Corporation Bideford EX39 4HE	
DIMENSIONS: mm		CHK S.PARLOW 02FEB06		
TOLERANCES UNLESS OTHERWISE SPECIFIED:		APVD F.WHEELER-KING 02FEB06	NAME MCX SURFACE MOUNT ELBOW PCB SOCKET 50 OHM	
0 PLC ± -		PRODUCT SPEC	-	
1 PLC ± -		APPLICATION SPEC	-	
2 PLC ± -		WEIGHT	-	
3 PLC ± -		CUSTOMER DRAWING	SCALE NTS SHEET 1 OF 2 REV D	
4 PLC ± -			SIZE A3 CAGE CODE 00779 DRAWING NO C-1337583 RESTRICTED TO -	
ANGLES ± -				
FINISH -				
MATERIAL SEE TABLE				

THIS DRAWING IS UNPUBLISHED. RELEASED FOR PUBLICATION FEB ,2006.
 © COPYRIGHT 2006 BY TYCO ELECTRONICS CORPORATION. ALL RIGHTS RESERVED.

LOC	DIST	REVISIONS					
E	B	P	LTR	DESCRIPTION	DATE	DWN	APVD
		-	-	SEE SHEET 1	-	-	-

NOTES (CONT):

- 7 LAST RUNNING ACCORDING TO IEC 60286-3
- 8 BLISTER BELT FILLED WITH PARTS
- 9 400mm EMPTY BLISTER BELT, SEALED WITH COVER TAPE
- 10 BLISTER BELT ACCORDING TO IEC 60286-3
- 11 UNIT PER REEL: 750 PIECES
- 12 VOLUME-CONDUCTIVE MATERIAL
- 13 MADE FROM POLYSTYRENE
- 14 SMD-STRIP-PACKAGING ACCORDING TO IEC 60286-2



THIS DRAWING IS A CONTROLLED DOCUMENT.		DWN J.SANDWELL	02FEB06	tyco Electronics		Tyco Electronics Corporation	
DIMENSIONS: mm		CHK S.PARLOW	02FEB06			Bideford EX39 4HE	
TOLERANCES UNLESS OTHERWISE SPECIFIED:		APVD F.WHEELER-KING	02FEB06	NAME MCX SURFACE MOUNT ELBOW PCB SOCKET 50 OHM		-	
0 PLC ± -		PRODUCT SPEC		APPLICATION SPEC		-	
1 PLC ± -		-		-		-	
2 PLC ± -		-		-		-	
3 PLC ± -		-		-		-	
4 PLC ± -		-		-		-	
ANGLES ± -		-		-		-	
MATERIAL SEE TABLE		FINISH -		WEIGHT -		RESTRICTED TO -	
		CUSTOMER DRAWING		SIZE A3	CAGE CODE 00779	DRAWING NO C-1337583	SCALE NTS
				SHEET 2		OF 2	
				REV D			