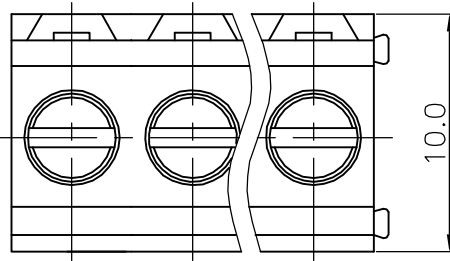


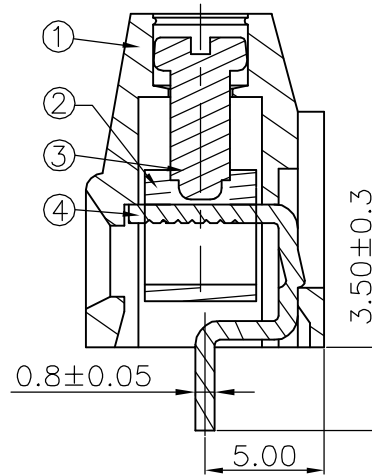
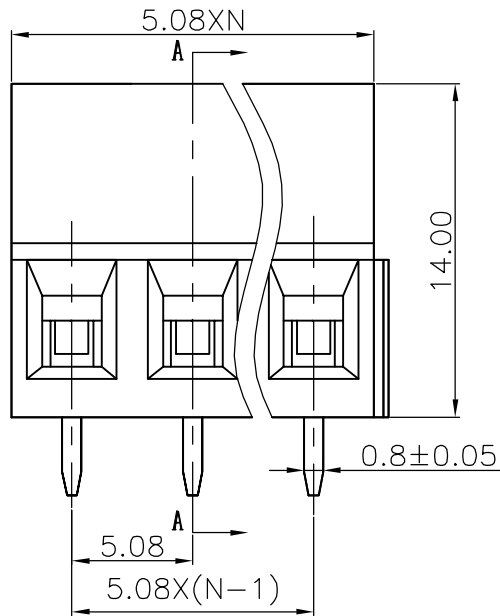
REVISION RECORD				
REV	ECN	DESCRIPTION	DRFT	DATE
△		Drawing Revise	Haoyh	03/31/06
△		??VDE?CE??	LJH	11/14/07*
△	10-0245	UL电流由10A变更为15A	Lasting	08/02/10*



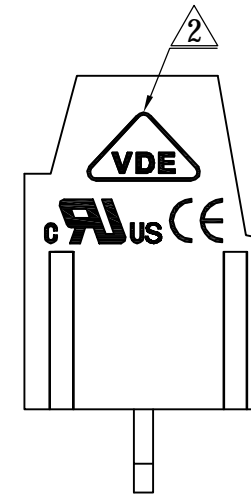
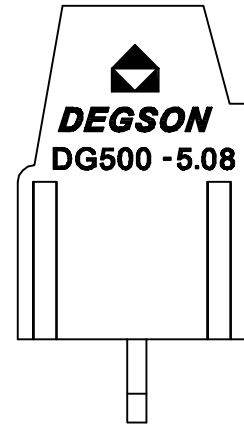
Notes:

1. Pitch: 5.08mm
2. Rated voltage/current: UL 300V/15A △
VDE 250V/18A
3. Operation temperatures: -40° C ~ +105° C
4. Insulation Withstand Voltage: AC2000V/1Min
5. Insulation Resistance: 5000MΩ/DC1000V
6. Wire Range: 24-12AWG 2.5mm²
7. Max. Torque Value: 4.08kgf.cm
8. Undimensioned Tolerances:

Pitch range in mm			Nominal dimension range in mm					
to	over	to	to	over	over	over		
6	6	10	30	30	60	100	150	∩
6	10	24	30	60	100	150		∇
±0.10	±0.15	±0.25	±0.2	±0.3	±0.5	±0.7	±1.0	0.05/10



SECTION A-A



4	DG128-Pin header	4027B00010(H)XX	Barss	SnCe
3	DG128"-Screws	S000001460(H)XX	Steel	Cr ³⁺ Zn
2	DG128 Brass Cage	X000000020(H)XX	Brass	Ni plated

ITEM	NAME OF PART	NO. OF PART	Q'TY	MATERIAL	NOTES
1	DG500-5.08 Housing	4036A0YXXA(H)	1	PA66	UL94V-0

TOLERANCES EXCEPT AS NOTED MM .0 ± .00 ± .000 ±	DFTO HW CHKD MFO APPVL DATE	DATE 09/23/05* DATE DATE DATE	NAME DG500-5.08-XXP-1Y-00A(H)
ANGLES ± 1° THIRD ANGLE PROJECTION	G.E : FINISH : SCALE : 1;1	DO NOT SCALE DRAWING SHEET 1 OF 1	DRAWING NO. DG500-5.08-E02 /PART NO. SIZE A3 REV T3 08/02/10*