

DC Power Plug Series

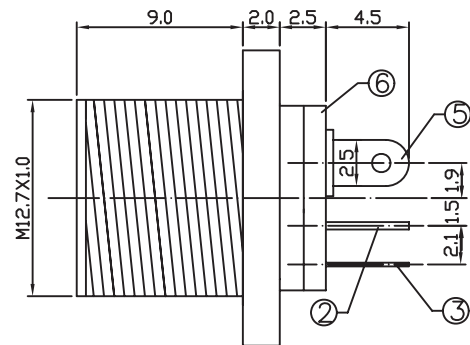
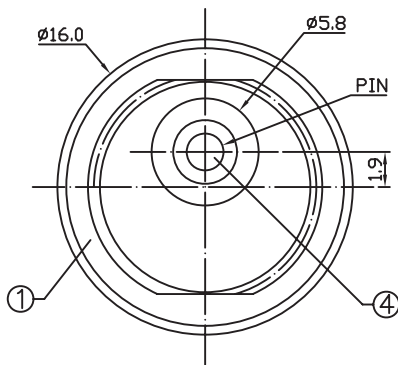
KLS1-DC-022A (DC Power Socket)

Technical parameters:

Contact resistance: 0.03Ω, max
Insulation resistance: 100MΩ, min
Pressure: AC500V (50Hz) / 1minute
Rated Load: DC 30V 1A
Actuating Force: 3~20N
Life: 5000 times
Operating Temperature:-30°C ~ 70°C

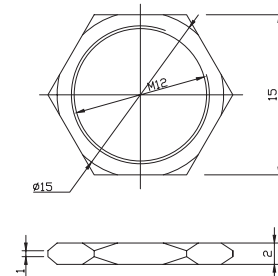
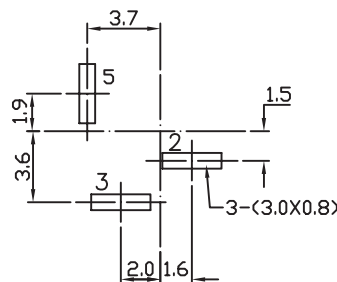
Material:

Centre Pin : Copper, Nickel Plated
Terminal 5 : Brass, Tin Plated
Terminal 3 : Stainless Steel, Tin Plated
Terminal 2 : Brass, Tin Plated
Housing : PBT
Cover : PBT



6	COVER	1	PF		
5	CONTACT FOOT	1	C2680	MB:Cu	Cu/Sn PLATED
4	PIN	1	C2680	MB:Cu	Ni PLATED
3	SPRING	1	65Mn STEEL	MB:Cu	Cu/Sn PLATED
2	FLAT PIECE	1	C2680	MB:Cu	Cu/Sn PLATED
1	HOUSING	1	PBT		
LTR	PART NAME	QTY	MATERIAL	REMARK	

MODEL NO.	DC-022A
SCHEMATIC	5 2 3
CENTER PIN	∅ 2.0mm ∅ 2.5mm



ORDER INFORMATION

Product NO.: KLS1-DC-022A-2.0

Pos. NO. ———— DC Power Socket ———— Center Pin Dimension