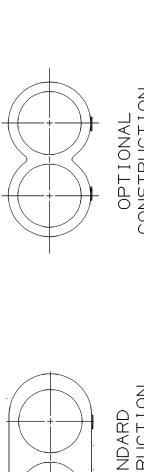
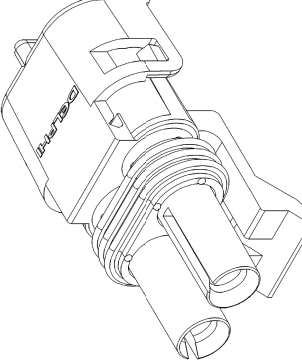
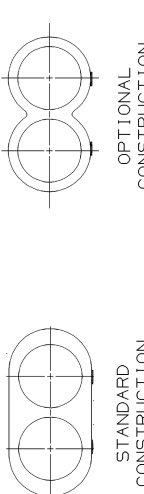


DATE	REV	BY	DESCRIPTION
2103785	A.3	ASB	REVISED REV. COLUMN ALL PARTS - REMOVED TO P/P
2010810	A.3	ASB	ALL PARTS - REVISED NOTE #5 & MODEL ASM 401251 AS 15 WITH UPDATED

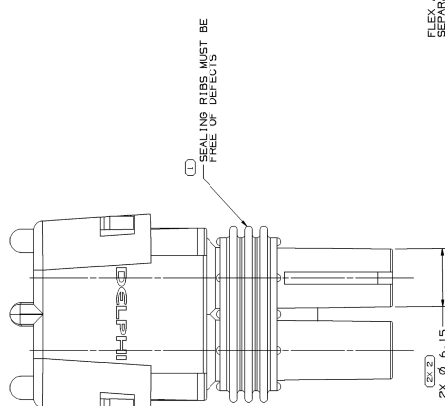
DATE	REV	BY	DESCRIPTION
2103785	A.3	ASB	REVISED REV. COLUMN ALL PARTS - REMOVED TO P/P
2010810	A.3	ASB	ALL PARTS - REVISED NOTE #5 & MODEL ASM 401251 AS 15 WITH UPDATED

DATE	REV	BY	DESCRIPTION
2103785	A.3	ASB	REVISED REV. COLUMN ALL PARTS - REMOVED TO P/P
2010810	A.3	ASB	ALL PARTS - REVISED NOTE #5 & MODEL ASM 401251 AS 15 WITH UPDATED

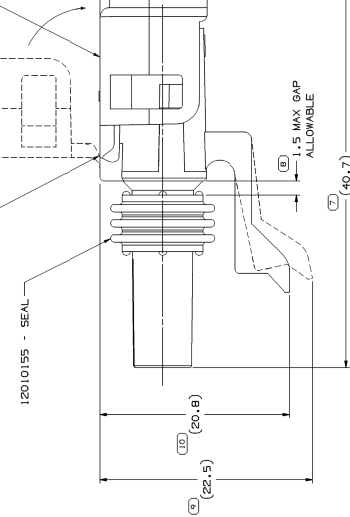
DATE	REV	BY	DESCRIPTION
2103785	A.3	ASB	REVISED REV. COLUMN ALL PARTS - REMOVED TO P/P
2010810	A.3	ASB	ALL PARTS - REVISED NOTE #5 & MODEL ASM 401251 AS 15 WITH UPDATED



CABLE END VIEW OF CONNECTOR BODY

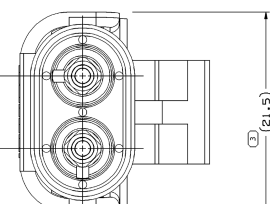


SEALING RIBS MUST BE FREE OF DEFECTS

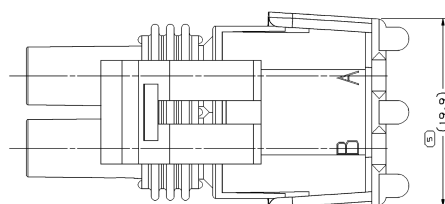


CONNECTOR BODY - SEE CHART

TERMINAL LOCK TO BE FOLDED DOWN AS SHOWN WHEN PARTS HAVE BEEN INSERTED.



INDEX CODE - 32 - (ALSO SEE HANDBOOK)



- NOTES
- UNLESS OTHERWISE SPECIFIED AND/OR INDICATED: DIMENSIONS ARE TO FACE OF VIEW SHOWN AND AUTOMATICALLY ROUNDED BY COMPUTER FOR INSPECTION (SEE MATH MODEL FOR PRECISE DIMENSIONS). FOR ALL DIMENSIONS, SEE MATH MODEL FOR PRECISE TOOL PATH DATA.
 - REFERENCE MATING COMPONENTS OR EQUIVALENT: MATING CONNECTOR - SEE CHART
 - THIS PART ACCEPTS THE FOLLOWING COMPONENTS OR EQUIVALENT: FEMALE TERMINAL 12089188 FOR IN-LINE APPLICATIONS CABLE SEAL 12015283 FOR PANEL MOUNT APPLICATIONS
 - WHEN PARTS ARE SHIPPED THEY MUST BE PACKED IN PLASTIC BAGS OR SHIPPING CONTAINERS MUST BE LINED WITH PLASTIC LINERS. BAGS OR LINERS MUST BE SEALED TO AVOID FOREIGN MATTER.
 - DESIGN WILL PASS SALT FOG AND IMMERSION TESTS IN ACCORDANCE WITH MIL-STD-883C METHOD 1014, USE OF MIL-STD-883C METHOD 1014, USE OF MIL-STD-883C METHOD 1014, USE OF MIL-STD-883C METHOD 1014.
 - SEALING CODE 3 - DESIGN WILL PASS SALT FOG AND IMMERSION TESTS IN ACCORDANCE WITH MIL-STD-883C METHOD 1014, USE OF MIL-STD-883C METHOD 1014, USE OF MIL-STD-883C METHOD 1014.
 - WHEN DESIGNING A MATING PART TO MATE TO THIS WEATHER PACK CONNECTOR, REFERENCE THIS DRAWING NUMBER TELEGRAPHICALLY TO THE PACKARD ELECTRIC DIVISION.

DELPHI PACKARD ELECTRIC DIVISION

DATE: [] [] [] [] [] []
 BY: BERARD CHICHMAN
 CHECKED: LANCE LEBLANC
 APPROVED: [] [] [] [] [] []

SCALE: 5:1
 SHEET: 1 OF 1

SYMBOL TABLE

SYMBOL	DESCRIPTION
(A)	USE MATH MODEL
(B)	USE MATH MODEL

PROPERTY MARK

ITEM NO.	QTY	DESCRIPTION
1	1	CONNECTOR BODY

12103785
 TAXI ASM CONN W/P THR SLD

REV	DATE	BY	DESCRIPTION
1	2103785	ASB	REVISED REV. COLUMN ALL PARTS - REMOVED TO P/P
2	2010810	ASB	ALL PARTS - REVISED NOTE #5 & MODEL ASM 401251 AS 15 WITH UPDATED

DATE	REV	BY	DESCRIPTION
2103785	A.3	ASB	REVISED REV. COLUMN ALL PARTS - REMOVED TO P/P
2010810	A.3	ASB	ALL PARTS - REVISED NOTE #5 & MODEL ASM 401251 AS 15 WITH UPDATED