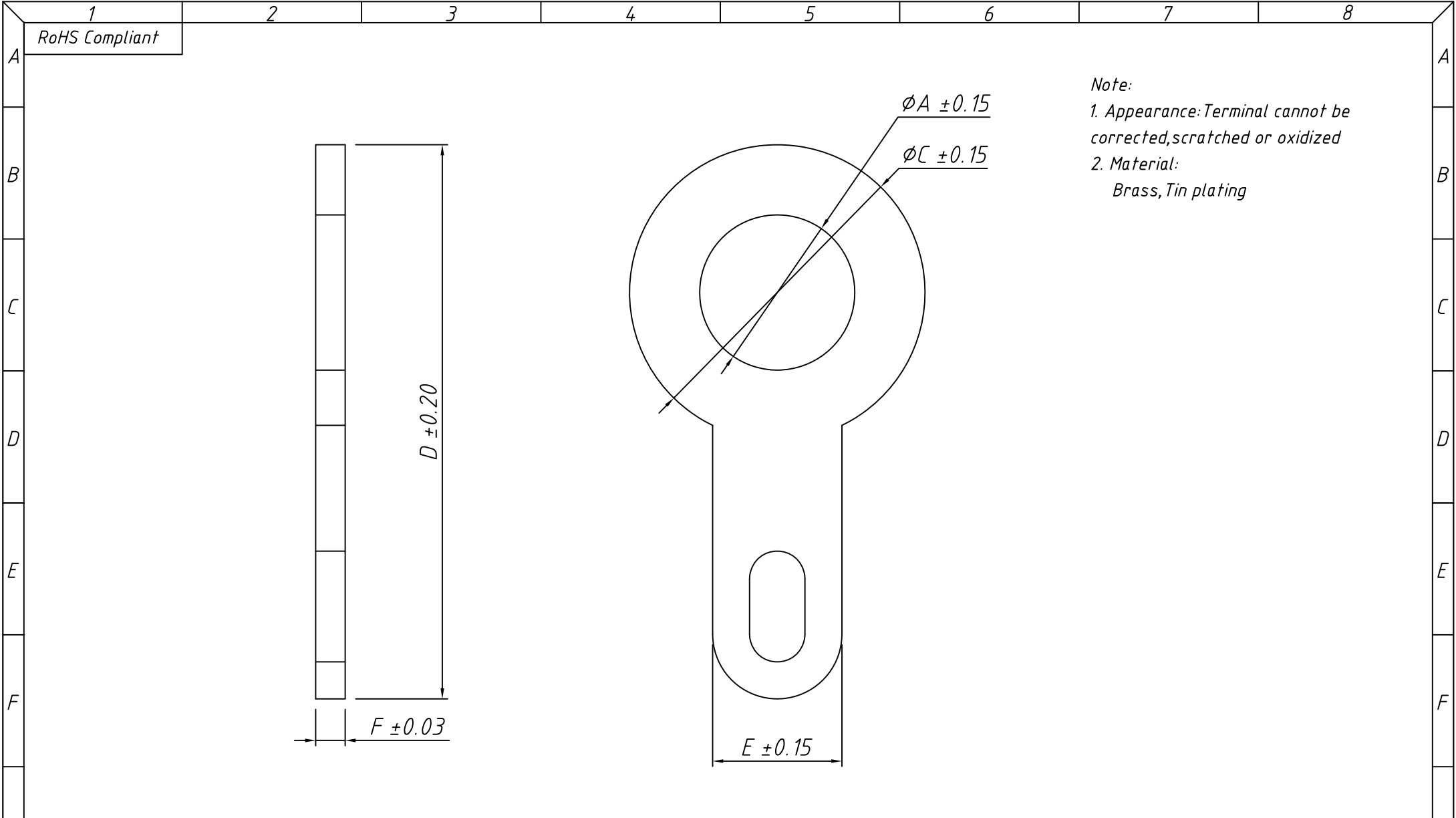


1
RoHS Compliant



Note:
1. Appearance: Terminal cannot be corrected, scratched or oxidized
2. Material:
Brass, Tin plating

L-KLS8-01133-ND-8	Brass	Tin	8.20	16.0	25.0	5.00	0.30	1000
L-KLS8-01133-ND-6	Brass	Tin	6.20	12.0	21.0	5.00	0.30	5000
L-KLS8-01133-ND-5	Brass	Tin	5.20	10.0	18.0	4.20	0.30	5000
L-KLS8-01133-ND-4	Brass	Tin	4.20	8.00	15.0	3.50	0.30	10000
L-KLS8-01133-ND-3	Brass	Tin	3.20	6.40	14.0	3.00	0.30	10000
L-KLS8-01133-ND-2	Brass	Tin	2.20	5.00	12.0	2.80	0.25	10000
P/N	Material	Plating	A	C	D	E	F	Q'TY
			Dimension(mm)					Q'TY

TOLERANCE		PROJECTION	Description:
0 - 3mm	± 0.10	UNITS	mm
3 - 6mm	± 0.15	SHEET SIZE	A4
6 - 10mm	± 0.20	KLS P/N: KLS8-01133	
10 - 30mm	± 0.25	KLS NingBo KLS ELECTRONIC CO.,L TD.	
Draw:	Daniel	ANGLE	$\pm 3^\circ$
Check:	Daniel	Data:	2019-04-10