

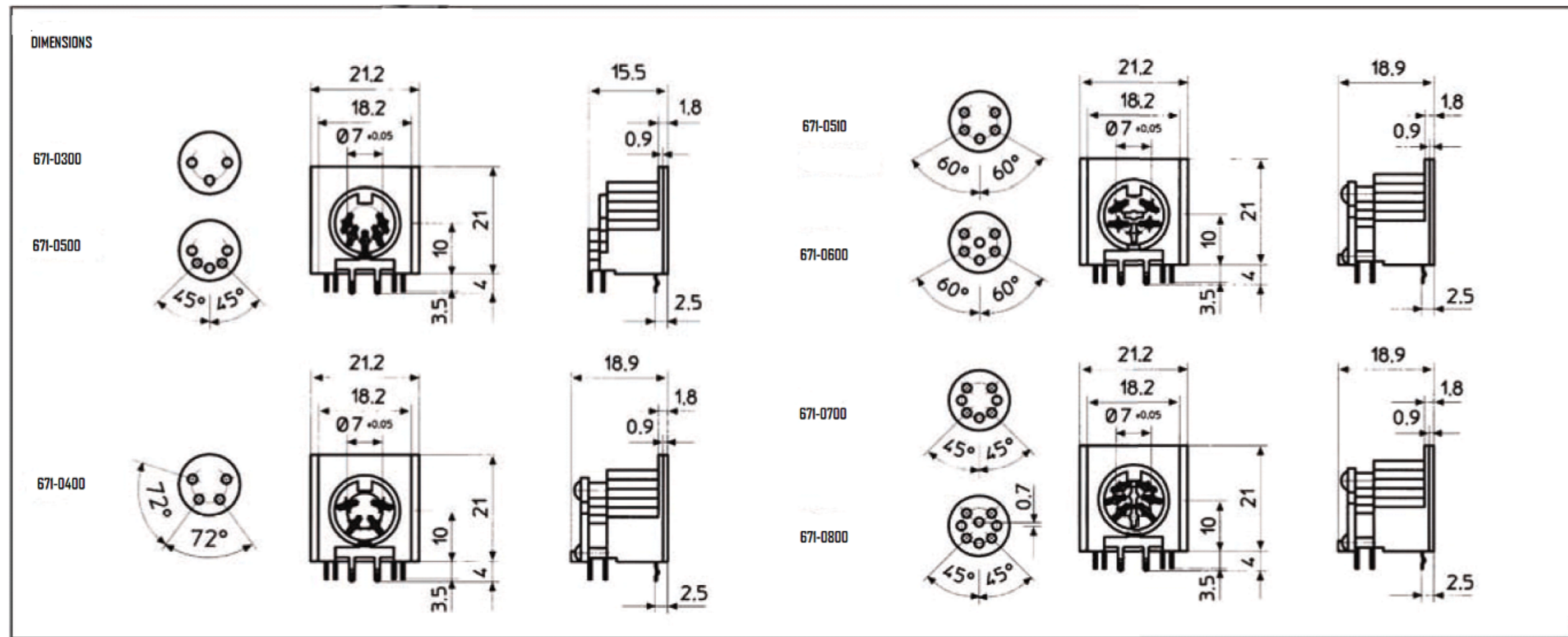
Printed circuit board - 90 Deg DIN Sockets - 671 Series

A range of right-angled printed circuit board mounting DIN sockets which enable any DIN plug to be interfaced with a PCB



Type	Deltron No
3 Way	671-0300
4 Way 72°	671-0400
5 Way 45°	671-0500
5 Way 60°	671-0510
6 Way 60°	671-0600
7 Way 45°	671-0700
8 Way 45°	671-0800

Material	Black PA6
Contacts	CuZn 37 + Ni +Sn
Electrical	
Rated Voltage	34 V a.c. or d.c.
Current Rating	2.A
Test Voltage	500 V r.m.s.
Insulation Resistance	103 MΩ min at 100 V d.c
Contact Resistance	10 mΩ max
Capacitance (mated)	3pF
Climatic	
Climatic category	25/070/21
Temperature Range	-25°C to +70°C
Damp heat, steady state	21 days



RoHS
2002/95/EC
Compliant

Tel No.+44(0)1724273200 Website www.dem-uk.com



PROPRIETARY AND CONFIDENTIAL
THE INFORMATION CONTAINED IN THIS DRAWING IS THE SOLE PROPERTY OF ALPHA 3 MANUFACTURING.
ANY REPRODUCTION IN PART OR AS A WHOLE WITHOUT THE WRITTEN PERMISSION OF ALPHA 3 MANUFACTURING IS PROHIBITED.

DEM Manufacturing, Deltron Emcon House
Hargreaves Way, Sawcliffe Ind. Park,
Scunthorpe, North Lincolnshire, DN15 8RF, UK

UNLESS OTHERWISE SPECIFIED:
DIMENSIONS ARE IN MILLIMETRES
LINEAR TOLERANCE:
NO DECIMAL PLACES ±0.5mm
1 DECIMAL PLACE ±0.25mm
2 DECIMAL PLACES ±0.125mm
ANGULAR TOLERANCE: ±1°

FINISH	DEBURR AND BREAK SHARP EDGES	DRAWN BY	W.Coxon	TITLE	PCB - DIN Sockets General Specification 671 Series
		APPROVED BY			
		THIRD ANGLE PROJECTION			
	IF IN DOUBT ASK DO NOT SCALE DRAWING		SHEET 1 OF 1	DRAWING NO.	671 DIN Specification
MATERIAL	-		SCALE 1:2	ISSUE	07
			A3	Release	