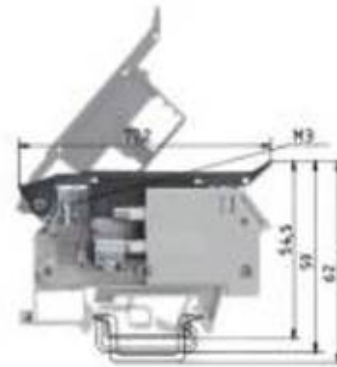


Datasheet

Item No. 57.904.5355.0

Fuse terminal WK 4 / THSI5 U/V0

Fuse terminal block with screw connection for mounting on TS 35 and TS 32, nominal cross section 4 mm², width 6 mm, color gray



Item No.	57.904.5355.0
EAN	4015573392670
order unit	50 Piece(s)

Approvals



Technical data

General

Nominal cross section	4 mm ²
Colour	Grey
Number of levels	1
Width/grid dimension	8 mm
Insulating housing	PA666
Inflammability class of insulation material acc. with UL94	V0
Mounting method	DIN rail (top hat rail)/G-rail
Terminal blocks for electrical installations	No
Fuse insert	G-fuse 5x30 mm

Technical data

Rated current	6.3 A
Rated voltage	800 V
Rated impulse voltage	8
Pollution degree	3
Closing plate required	No
Length	77.2 mm
Type of insulation material	Thermoplastic

Connection Data

Connection type 1	Screw connection
Connection type 2	Screw connection
Minimum cross section solid	0.5 mm ²

Maximum cross section solid	6 mm ²
Minimum cross section fine stranded	0.5 mm ²
Maximum cross section fine stranded	4 mm ²
Wire strip length	8 mm
Torque conductor mounting	0.5 Nm

Technical Data UL/CSA

Cross section UL	22-10 AWG
Voltage UL	600
Current factory wiring	15 A
Current field wiring	15 A
Cross section CSA	22-10 AWG
Voltage CSA	600 V
Current CSA	6.3 A

Accessories

Remark to rated voltage	Note max power loss
Remark to rated current	Note max power loss

Accessories

Item. No.	Typ:	Description:
98.190.0000.0	Mounting rail G-32 EN60715 2000MM	Mounting rail G 32, unslotted, Höhe 5,5 mm, length 2 m, material steel. galv. zinc-plated and dichromated
98.190.1000.0	Mounting rail G-32 EN60715 2000MM	Mounting rail G 32, slotted, Höhe 15 mm, length 2 m, material steel. galv. zinc-plated and dichromated
98.210.0000.0	Mounting rail G-32 EN60715 2000MM	Mounting rail G 32, unslotted, Höhe 15 mm, length 2 m, material Aluminium
98.220.0000.0	Mounting rail G-32 EN60715 2000MM	Mounting rail G 32, unslotted, Höhe 15 mm, length 2 m, material E copper
98.300.0000.0	Mounting rail 35x27x7,5EN60715 2000MM	Mounting rail TS 35, unslotted, size 7,5 mm, length 2 m, material steel. galv. zinc-plated and dichromated
98.300.1000.0	Mounting rail 35x27x7,5EN60715 2000MM	Mounting rail TS 35, slotted, size 7,5 mm, length 2 m, material steel. galv. zinc-plated and dichromated
98.300.1900.0	Mounting rail 35x27x7,5EN60715 2000MM	Mounting rail TS 35, slotted, size 7,5 mm, length 2 m, material steel. galv. zinc-plated and dichromated
98.360.0000.0	Mounting rail 35x24x15 EN60715 2000MM	Mounting rail TS 35, unslotted, size 15 mm, length 2 m, material steel. galv. zinc-plated and dichromated
98.360.0004.0	Mounting rail 35x24x15 EN60715 2000MM	Mounting rail TS 35, unslotted, size 15 mm, length 2 m, material steel, hot galvanized
98.370.0000.0	Mounting rail 35x27x15(EN60715)2000MM	Mounting rail TS 35, unslotted, size 15 mm, length 2 m, material steel. galv. zinc-plated and dichromated
98.370.1000.0	Mounting rail 35x27x15(EN60715)2000MM	Mounting rail TS 35, slotted, size 15 mm, length 2 m, material steel. galv. zinc-plated and dichromated
98.380.0000.0	Mounting rail 35x24x15 EN60715 2000MM	Mounting rail TS 35, unslotted, size 15 mm, length 2 m, material E copper

Drawings

Hutschiene EN 60715-35x7,5
 mounting rail EN 60715-35x7,5
 G-Schiene EN 60715-G 32
 g-rail EN 60715-G 32
 Hutschiene EN 60715-35x15
 mounting rail EN 60715-35x15

Teile.-Nr./part-nr.	Farbe/colour	Typ/type
57_904.5355.0	grau/grey	WK4/THS15...U
57_904.5455.0	grau/grey	WK4/THS15 LED 12 U
57_904.5555.0	grau/grey	WK4/THS15 LED 24 U
57_904.5655.0	grau/grey	WK4/THS15 LED 60 U
57_904.5755.0	grau/grey	WK4/THS15 GL 250 U
57_904.5855.0	grau/grey	WK4/THS15 GL 500 U

Freirolenanz nach DIN -		CAD - Zeichnung, keine manuellen Änderungen		1. Verwendung: -		Bl: 1 von 1		Index	
MSBstab	2:1	2003	Tag	Name	Zeichnung Nr.	T 57.904.5355.0 01K			
Salvatorelli		22.04.		Lutz S.					
Geprächt		-		-					
Normpage:					Ersatz für:				
weitere Daten / Blatt		wieland		Typ		SICHERUNGSKLEMME		lose terminal	
Änderung		Elektrotechnik Verbindungen		Berechnung		Typ siehe Tabelle			

Weitere Daten siehe Katalog
further data see catalog

57904525001K_4 CAD0015 Lutz 30.04.2003 09:36:49 1/000