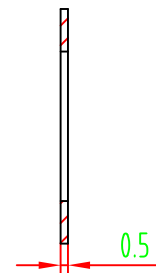
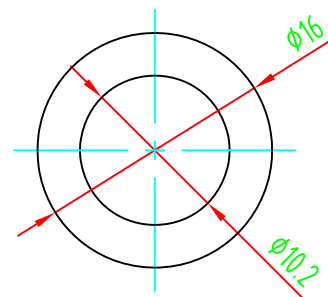
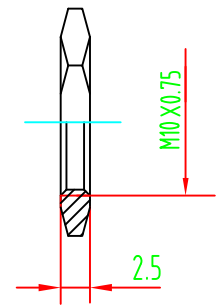
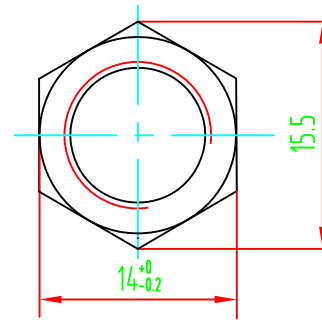
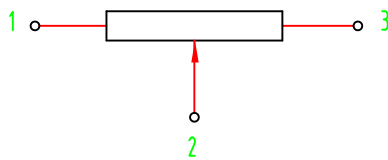
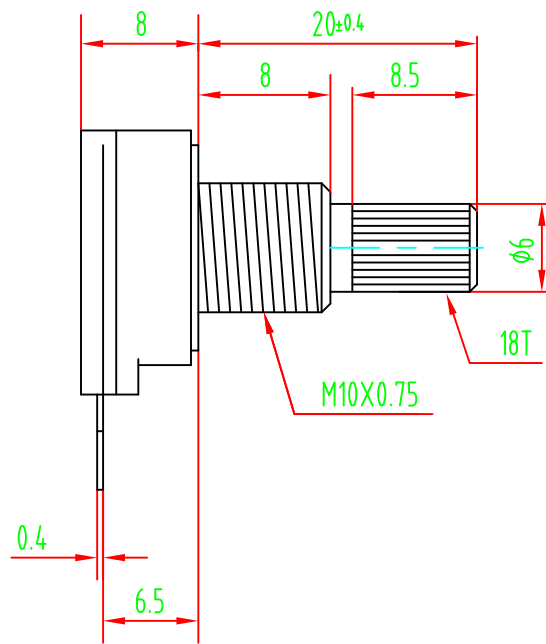
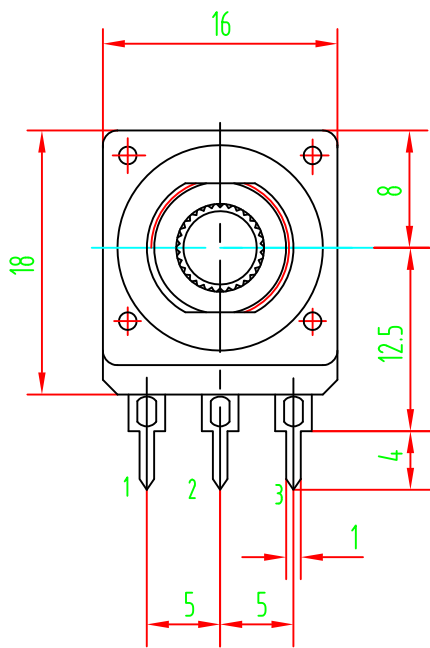


<b>16PMI series</b>	
<b>1 Electrical characteristics</b>	
1.1 全阻抗值及容许偏差/Tolerance	±20%
1.2 负载功率/Power rated	0.06 W
1.3 杂音/Noise	<47mV max
1.4 绝缘阻抗特性/Insuranceresistance	>100MΩ At 500V DC
1.5 耐电压特性/Dielectric	1 Minute At 500V AC
1.6 最大工作电压/Max.working Voltage	100V AC
1.7 双联同步误差/Gang error	/
1.8 残留阻抗 /Residualresistance	R1,2<5Ω ; R2,3<10Ω
1.9 双联全阻抗值误差	R1,3-R1',3'≤1KΩ
1.10 开关电力/Switch rating	
<b>2 Mechanical characteristics</b>	
2.1 外形尺寸	附图
2.2 全回转角度/Rotary angle	300±5°
2.3 旋转力矩/Rotary toque	30~200gf.cm
2.4 旋转止挡力矩/shaft stopper strength	>6kg.cm
2.5 定位点起动力/	/
2.6 轴摆动	
2.7 焊接耐热性/soldering temp.	260° C/2.5±0.5S
2.8 开关动作角度/switch working angle	35° ±5°
2.9 开关力矩/Switching torque	50~300gf.cm
2.10 开关种类	
2.11 旋转寿命/rotary life	10,000 次



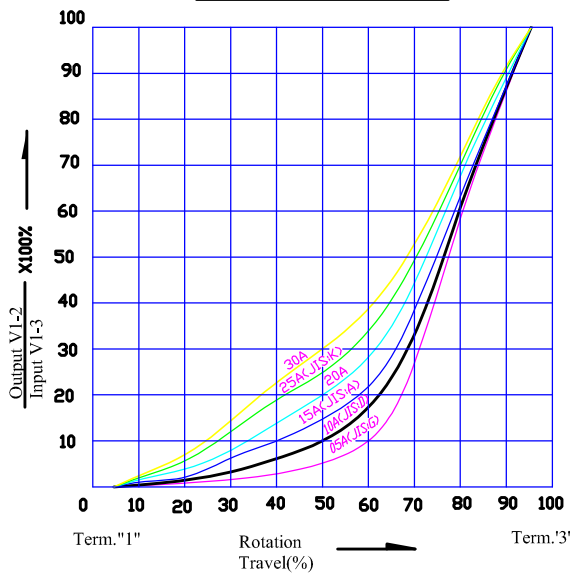
2				5			
1				4			
	DATE	REVISION	APPROVED	3			
			Moder:				DRAWING NO:
DWN	DHKD	APPD					

# Resistance taper

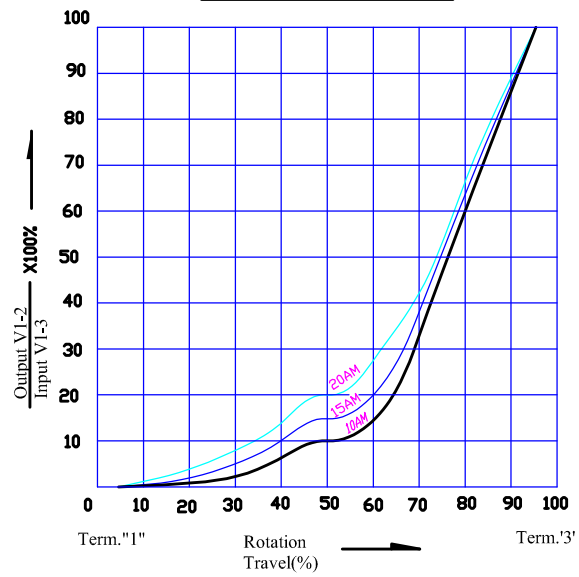


Pattern of resistance curve

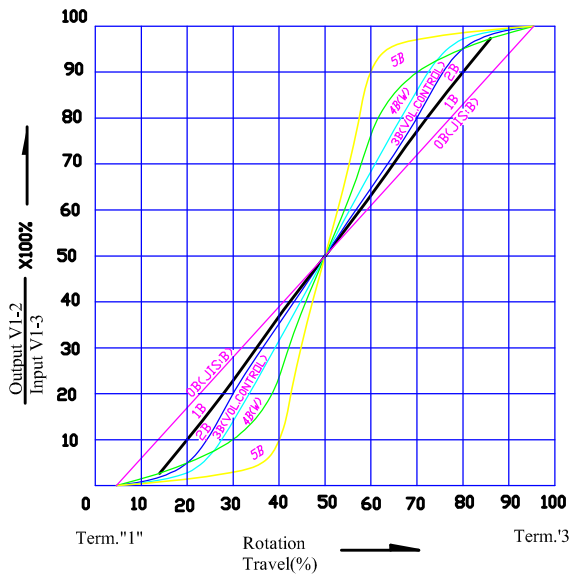
TAPERS (A) SERIES



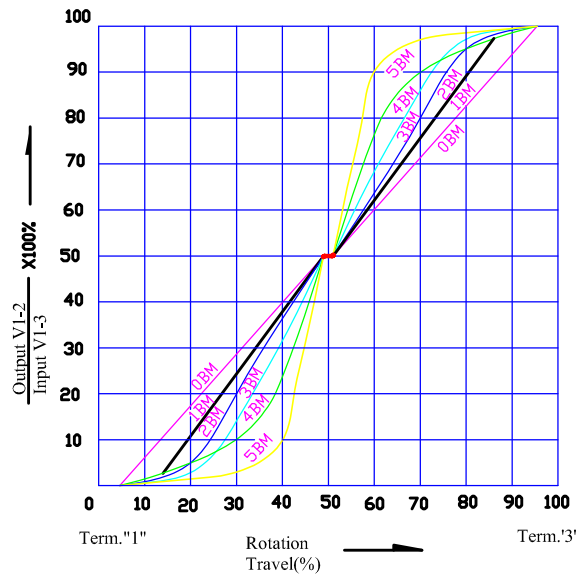
TAPERS (A) WITH 50% TAP



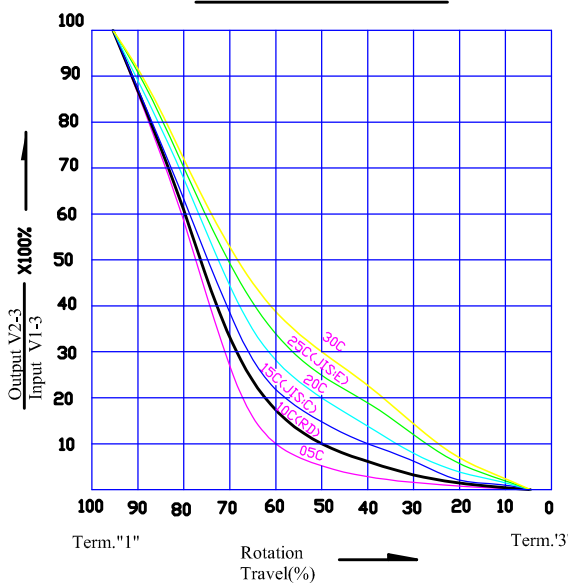
TAPERS (B) SERIES



TAPERS (B) WITH 50% TAP



TAPERS (C) SERIES



TAPERS (M) & (N)

