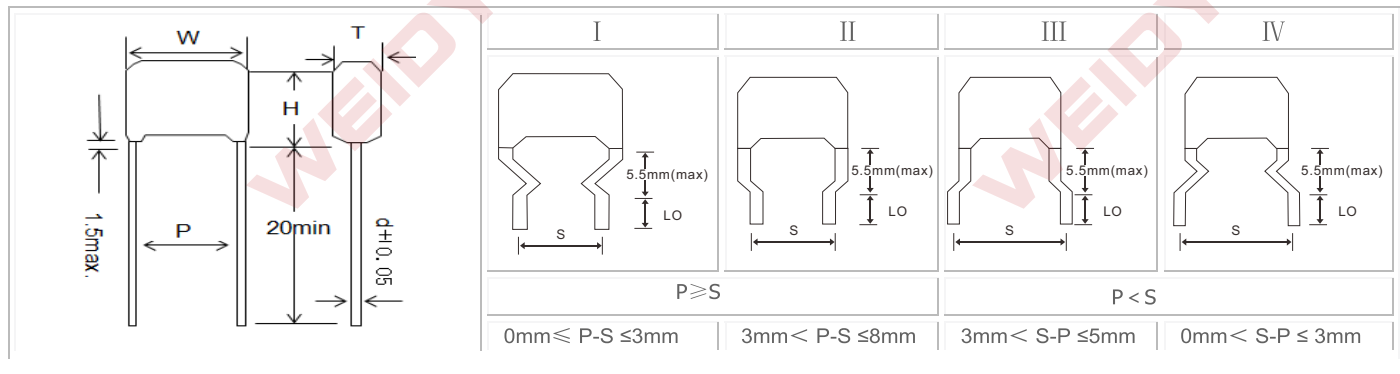


W14 CBB81 series

高压金属化聚丙烯膜/箔式电容器
High-voltage metallized polypropylene film/foil capacitor

■ 外形图 Outline Drawing



■ 特点

- 金属化聚丙烯膜箔式，卷绕结构
- 损耗小，内部温升小
- 负电容量温度系数
- 阻燃环氧粉末包封(94/V-0)

■ 主要用途

- 大屏幕显示器及彩电行逆程电路
- 适用于高脉冲，大电流电路
- 适用于电子镇流器

■ 技术要求 Specifications

■ Features

- Metallized polypropylene film/foil, wound construction
- Low loss and small inherent temperature rise
- Negative temperature coefficient of capacitance
- Flame retardant epoxy resin powder coating (UL94/V-0)

■ Typical Applications

- Horizontal resonance circuits of large screen monitor and colour TV
- Suitable for high pulse and high current loading circuit
- Suitable for electronic ballast

引用标准 Reference Standard	GB/T 14579 (IEC 60384-17)						
气候类别 Climatic Category	40/105/21						
额定温度 Rated temperature	85℃						
工作温度范围 Operating temperature	-40℃~105℃ (+85℃ to +105℃: decreasing factor 1.25% per °C for VR(dc))						
额定电压 Rated Voltage	100V/160V, 250V, 400V, 630V, 1000V/1250V						
电容量范围 Capacitance Range	0.0010 ~ 0.1μF						
电容量偏差 Capacitance Tolerance	±3%(H), ±5%(J), ±10%(K)						
耐电压 Voltage Proof	1.75UR (5s)						
损耗角正切 Dissipation Factor	≤10×10 ⁻⁴ (20℃, 1kHz)						
绝缘电阻 Insulation Resistance	≥50 000MΩ, CR (20℃, 100V, 1min)						
最大脉冲爬升速率 Maximum Pulse Rise Time (dv/dt) 若实际工作电压 U 比额定电压 UR 低，电容器可工作在更高的 dv/dt 场合。这样 dv/dt 允许值为右表值乘 UR/U。	UR(V)	dv/dt (V/μs) Pattern I					
		P=15	P=20	P=22	P=25	P=27	
	800	15000	14000	12000	--	--	
	1000/1200	30000	20000	--	15000	--	
	1600/2000	36000	22000	--	16000	12000	
	UR(V)	dv/dt (V/μs) Pattern II P=15					
		630/800	11000				
		1000/1250	28000				
		1600	32000				
		2000	35000				
2500	40000						

W14 CBB81 series

产品代码说明 Part number system

■ 18 位产品代码说明如下：

The 18 digits part number is formed as follow:



W 1 4

第 1~3 位：型号代码

W14=CBB81

第 4~5 位：直流额定电压

2J=630V 2K=800V 3A=1000V
3B=1250V 3C=1600V
3D=2000V 3E=2500V

第 6~8 位：标称容量

举例：103 = 10×10^3 PF = 0.01 μ f

第 9 位：容量偏差

H=±3%, J=±5%, K=±10%

第 10 位：引线脚距

M=15mm N=20mm P=22mm
R=25mm S=27mm

第 11 位：引线线径

6= CP 0.6mm 8= CP 0.8mm

第 12 位：引线加工和包装代码

L= 直脚 K= 引线成型
T= 弹带包装

第 13~18 位：内部特征码

Digit 1 to 3: Series code

W14=CBB81

Digit 4 to 5: DC rated voltage

2J=630V 2K=800V 3A=1000V
3B=1250V 3C=1600V
3D=2000V 3E=2500V

Digit 6 to 8: Rated capacitance

For example: 103 = 10×10^3 PF = 0.01 μ f

Digit 9: Capacitance tolerance

H=±3%, J=±5%, K=±10%

Digit 10: Pitch

M=15mm N=20mm P=22mm
R=25mm S=27mm

Digit 11: Lead Wire diameter

6= CP 0.6mm 8= CP 0.8mm

Digit 12: Lead form and packaging code

L= straight lead K= Lead kinked
T= ammo-pack

Digit 13 to 18: Internal use

W14 CBB81 series

■ 外形尺寸 Dimensions (mm) Patten II (Reduced sizes)

630V/800Vdc (400Vac)*						
Cn (μ F)	W max	H max	T max	P	d	Part number
0.0010	18.0	10.1	5.7	15.0	0.8	W142K102-M8*****
0.0012	18.0	10.5	6.0	15.0	0.8	W142K122-M8*****
0.0015	18.0	11.0	6.5	15.0	0.8	W142K152-M8*****
0.0016	18.0	11.6	6.4	15.0	0.8	W142K162-M8*****
0.0018	18.0	11.9	6.7	15.0	0.8	W142K182-M8*****
0.0020	18.0	12.2	7.0	15.0	0.8	W142K202-M8*****
0.0022	18.0	12.5	7.3	15.0	0.8	W142K222-M8*****
0.0024	18.0	12.7	7.5	15.0	0.8	W142K242-M8*****
0.0027	18.0	13.1	7.9	15.0	0.8	W142K272-M8*****
0.0030	18.0	13.5	8.3	15.0	0.8	W142K302-M8*****
0.0033	18.0	13.8	8.6	15.0	0.8	W142K332-M8*****
0.0036	18.0	11.7	6.5	15.0	0.8	W142K362-M8*****
0.0039	18.0	12.0	6.7	15.0	0.8	W142K392-M8*****
0.0043	18.0	12.2	7.0	15.0	0.8	W142K432-M8*****
0.0047	18.0	12.5	7.3	15.0	0.8	W142K472-M8*****
0.0049	18.0	11.9	6.7	15.0	0.8	W142K492-M8*****
0.0051	18.0	12.0	6.8	15.0	0.8	W142K512-M8*****
0.0053	18.0	12.1	6.9	15.0	0.8	W142K532-M8*****
0.0056	18.0	11.5	6.2	15.0	0.8	W142K562-M8*****
0.0060	18.0	11.6	6.4	15.0	0.8	W142K602-M8*****
0.0062	18.0	11.7	6.5	15.0	0.8	W142K622-M8*****
0.0065	18.0	11.8	6.6	15.0	0.8	W142K652-M8*****
0.0068	18.0	12.0	6.8	15.0	0.8	W142K682-M8*****
0.0072	18.0	12.1	6.9	15.0	0.8	W142K722-M8*****
0.0075	18.0	12.2	7.0	15.0	0.8	W142K752-M8*****
0.0078	18.0	12.4	7.1	15.0	0.8	W142K782-M8*****
0.0082	18.0	12.5	7.3	15.0	0.8	W142K822-M8*****
0.0084	18.0	12.6	7.4	15.0	0.8	W142K842-M8*****
0.0091	18.0	12.8	7.6	15.0	0.8	W142K912-M8*****
0.010	18.0	13.2	8.0	15.0	0.8	W142K103-M8*****
0.012	18.0	11.4	6.2	15.0	0.8	W142K123-M8*****
0.015	18.0	12.0	6.8	15.0	0.8	W142K153-M8*****
0.018	18.0	12.6	7.4	15.0	0.8	W142K183-M8*****
0.022	18.0	13.8	8.1	15.0	0.8	W142K223-M8*****
0.024	18.0	14.1	8.4	15.0	0.8	W142K243-M8*****
0.027	18.0	14.6	8.9	15.0	0.8	W142K273-M8*****
0.033	18.0	16.4	9.1	15.0	0.8	W142K333-M8*****
0.036	18.0	16.8	9.5	15.0	0.8	W142K363-M8*****

1000V/1250Vdc (450Vac)*						
Cn (μ F)	W max	H max	T max	P	d	Part number
0.0010	18.0	10.1	5.7	15.0	0.8	W143A102-M8*****
0.0012	18.0	10.5	6.0	15.0	0.8	W143A122-M8*****
0.0015	18.0	11.0	6.5	15.0	0.8	W143A152-M8*****
0.0016	18.0	11.6	6.4	15.0	0.8	W143A162-M8*****
0.0018	18.0	11.9	6.7	15.0	0.8	W143A182-M8*****
0.0020	18.0	12.2	7.0	15.0	0.8	W143A202-M8*****
0.0022	18.0	12.5	7.3	15.0	0.8	W143A222-M8*****
0.0024	18.0	12.7	7.5	15.0	0.8	W143A242-M8*****
0.0027	18.0	13.6	7.9	15.0	0.8	W143A272-M8*****
0.0030	18.0	14.0	8.3	15.0	0.8	W143A302-M8*****
0.0033	18.0	14.3	8.6	15.0	0.8	W143A332-M8*****
0.0036	18.0	11.7	6.5	15.0	0.8	W143A362-M8*****
0.0039	18.0	12.0	6.7	15.0	0.8	W143A392-M8*****
0.0043	18.0	12.2	7.0	15.0	0.8	W143A432-M8*****
0.0047	18.0	12.5	7.3	15.0	0.8	W143A472-M8*****
0.0049	18.0	12.6	7.4	15.0	0.8	W143A492-M8*****
0.0051	18.0	12.8	7.5	15.0	0.8	W143A512-M8*****
0.0053	18.0	12.9	7.7	15.0	0.8	W143A532-M8*****
0.0056	18.0	12.1	6.9	15.0	0.8	W143A562-M8*****
0.0060	18.0	12.3	7.1	15.0	0.8	W143A602-M8*****
0.0062	18.0	12.4	7.2	15.0	0.8	W143A622-M8*****
0.0065	18.0	12.6	7.4	15.0	0.8	W143A652-M8*****
0.0068	18.0	12.7	7.5	15.0	0.8	W143A682-M8*****
0.0072	18.0	12.9	7.7	15.0	0.8	W143A722-M8*****
0.0075	18.0	13.5	7.8	15.0	0.8	W143A752-M8*****
0.0078	18.0	13.7	8.0	15.0	0.8	W143A782-M8*****
0.0082	18.0	13.9	8.1	15.0	0.8	W143A822-M8*****
0.0084	18.0	13.9	8.2	15.0	0.8	W143A842-M8*****
0.0091	18.0	14.2	9.0	15.0	0.8	W143A912-M8*****
0.010	18.0	14.6	9.4	15.0	0.8	W143A103-M8*****
0.012	18.0	15.4	10.2	15.0	0.8	W143A123-M8*****
0.015	18.0	14.9	9.7	15.0	0.8	W143A153-M8*****
0.018	18.0	15.7	10.5	15.0	0.8	W143A183-M8*****
0.022	18.0	16.7	11.5	15.0	0.8	W143A223-M8*****

备注：1. “-”表示容量偏差。“-”=capacitance tolerance code, M=±20%,K=±10%,J=±5%,H=±3%

2. 第12位表示引线加工和包装代码, L=直脚 straight lead K=引线成型 Lead kinked T=弹带包装 ammo-pack

3. “#”当额定电压是630Vdc时,第4~5位代码是2J。“#”when the rated voltage is 630Vdc, the digit 4~5 is2J.

4. “#”当额定电压是1250Vdc时,第4~5位代码是3B。“#”when the rated voltage is 1250Vdc, the digit 4~5 is3B

W14 CBB81 series

■ 外形尺寸 Dimensions (mm) Patten II (Reduced sizes)

1600Vdc (450Vac)						
Cn (μF)	W max	H max	T max	P	d	Part number
0.0010	18.0	10.4	6.0	15.0	0.8	W143C102-M8*****
0.0012	18.0	10.8	6.4	15.0	0.8	W143C122-M8*****
0.0015	18.0	11.3	6.9	15.0	0.8	W143C152-M8*****
0.0016	18.0	12.0	6.8	15.0	0.8	W143C162-M8*****
0.0018	18.0	12.3	7.1	15.0	0.8	W143C182-M8*****
0.0020	18.0	12.7	7.4	15.0	0.8	W143C202-M8*****
0.0022	18.0	12.9	7.7	15.0	0.8	W143C222-M8*****
0.0024	18.0	13.7	8.0	15.0	0.8	W143C242-M8*****
0.0027	18.0	11.4	6.2	15.0	0.8	W143C272-M8*****
0.0030	18.0	11.7	6.5	15.0	0.8	W143C302-M8*****
0.0033	18.0	11.9	6.7	15.0	0.8	W143C332-M8*****
0.0036	18.0	11.4	6.2	15.0	0.8	W143C362-M8*****
0.0039	18.0	11.6	6.4	15.0	0.8	W143C392-M8*****
0.0043	18.0	11.8	6.6	15.0	0.8	W143C432-M8*****
0.0047	18.0	12.1	6.9	15.0	0.8	W143C472-M8*****
0.0049	18.0	12.2	7.0	15.0	0.8	W143C492-M8*****
0.0051	18.0	12.3	7.1	15.0	0.8	W143C512-M8*****
0.0053	18.0	12.4	7.2	15.0	0.8	W143C532-M8*****
0.0056	18.0	12.6	7.4	15.0	0.8	W143C562-M8*****
0.0060	18.0	12.8	7.6	15.0	0.8	W143C602-M8*****
0.0062	18.0	12.9	7.7	15.0	0.8	W143C622-M8*****
0.0065	18.0	13.6	7.9	15.0	0.8	W143C652-M8*****
0.0068	18.0	13.7	8.0	15.0	0.8	W143C682-M8*****
0.0072	18.0	13.9	8.2	15.0	0.8	W143C722-M8*****
0.0075	18.0	14.1	8.4	15.0	0.8	W143C752-M8*****
0.0078	18.0	14.2	9.0	15.0	0.8	W143C782-M8*****
0.0082	18.0	14.4	9.2	15.0	0.8	W143C822-M8*****
0.0084	18.0	14.5	9.3	15.0	0.8	W143C842-M8*****
0.0091	18.0	14.9	9.6	15.0	0.8	W143C912-M8*****
0.010	18.0	15.3	10.0	15.0	0.8	W143C103-M8*****
0.012	18.0	16.1	10.9	15.0	0.8	W143C123-M8*****

2000Vdc (500Vac)						
Cn (μF)	W max	H max	T max	P	d	Part number
0.0010	18.0	10.4	6.0	15.0	0.8	W143D102-M8*****
0.0012	18.0	10.8	6.4	15.0	0.8	W143D122-M8*****
0.0015	18.0	11.3	6.9	15.0	0.8	W143D152-M8*****
0.0016	18.0	12.0	6.8	15.0	0.8	W143D162-M8*****
0.0018	18.0	12.3	7.1	15.0	0.8	W143D182-M8*****
0.0020	18.0	12.7	7.4	15.0	0.8	W143D202-M8*****
0.0022	18.0	12.9	7.7	15.0	0.8	W143D222-M8*****
0.0024	18.0	11.8	6.6	15.0	0.8	W143D242-M8*****
0.0027	18.0	12.1	6.9	15.0	0.8	W143D272-M8*****
0.0030	18.0	12.4	7.2	15.0	0.8	W143D302-M8*****
0.0033	18.0	12.7	7.5	15.0	0.8	W143D332-M8*****
0.0036	18.0	12.2	7.0	15.0	0.8	W143D362-M8*****
0.0039	18.0	12.4	7.2	15.0	0.8	W143D392-M8*****
0.0043	18.0	12.7	7.5	15.0	0.8	W143D432-M8*****
0.0047	18.0	13.5	7.8	15.0	0.8	W143D472-M8*****
0.0049	18.0	13.7	8.0	15.0	0.8	W143D492-M8*****
0.0051	18.0	13.8	8.1	15.0	0.8	W143D512-M8*****
0.0053	18.0	13.9	8.2	15.0	0.8	W143D532-M8*****
0.0056	18.0	14.2	8.4	15.0	0.8	W143D562-M8*****
0.0060	18.0	14.4	9.2	15.0	0.8	W143D602-M8*****
0.0062	18.0	14.5	9.3	15.0	0.8	W143D622-M8*****
0.0065	18.0	14.7	9.5	15.0	0.8	W143D652-M8*****
0.0068	18.0	14.9	9.7	15.0	0.8	W143D682-M8*****
0.0072	18.0	15.2	9.9	15.0	0.8	W143D722-M8*****
0.0075	18.0	15.3	10.1	15.0	0.8	W143D752-M8*****
0.0078	18.0	15.5	10.3	15.0	0.8	W143D782-M8*****
0.0082	18.0	15.7	10.5	15.0	0.8	W143D822-M8*****
0.0084	18.0	15.8	10.6	15.0	0.8	W143D842-M8*****
0.0091	18.0	16.2	11.0	15.0	0.8	W143D912-M8*****
0.010	18.0	16.7	11.5	15.0	0.8	W143D103-M8*****

2500Vdc(500Vac)						
Cn (μF)	W max	H max	T max	P	d	Part number
0.0010	18.0	10.4	6.0	15.0	0.8	W143E102-M8*****
0.0012	18.0	10.8	6.4	15.0	0.8	W143E122-M8*****
0.0015	18.0	11.3	6.9	15.0	0.8	W143E152-M8*****
0.0016	18.0	12.0	6.8	15.0	0.8	W143E162-M8*****
0.0018	18.0	12.3	7.1	15.0	0.8	W143E182-M8*****
0.0020	18.0	12.7	7.4	15.0	0.8	W143E202-M8*****
0.0022	18.0	12.9	7.7	15.0	0.8	W143E222-M8*****
0.0024	18.0	11.8	6.6	15.0	0.8	W143E242-M8*****
0.0027	18.0	12.1	6.9	15.0	0.8	W143E272-M8*****
0.0030	18.0	12.4	7.2	15.0	0.8	W143E302-M8*****
0.0033	18.0	12.7	7.5	15.0	0.8	W143E332-M8*****
0.0036	18.0	13.5	7.8	15.0	0.8	W143E362-M8*****
0.0039	18.0	13.8	8.1	15.0	0.8	W143E392-M8*****

2500Vdc(500Vac)						
Cn (μF)	W max	H max	T max	P	d	Part number
0.0043	18.0	14.1	8.4	15.0	0.8	W143E432-M8*****
0.0047	18.0	14.5	9.3	15.0	0.8	W143E472-M8*****
0.0049	18.0	14.6	9.4	15.0	0.8	W143E492-M8*****
0.0051	18.0	14.8	9.6	15.0	0.8	W143E512-M8*****
0.0053	18.0	15.0	9.7	15.0	0.8	W143E532-M8*****
0.0056	18.0	15.2	10.0	15.0	0.8	W143E562-M8*****
0.0060	18.0	15.5	10.3	15.0	0.8	W143E602-M8*****
0.0062	18.0	15.6	10.4	15.0	0.8	W143E622-M8*****
0.0065	18.0	15.9	10.6	15.0	0.8	W143E652-M8*****
0.0068	18.0	16.1	10.9	15.0	0.8	W143E682-M8*****
0.0072	18.0	16.3	11.1	15.0	0.8	W143E722-M8*****
0.0075	18.0	16.5	11.3	15.0	0.8	W143E752-M8*****
0.0078	18.0	16.7	11.5	15.0	0.8	W143E782-M8*****

备注：1. “-”表示容量偏差。“\”=capacitance tolerance code, M=±20%,K=±10%,J=±5%,H=±3%

2. 第 12 位表示引线加工和包装代码，L= 直脚 straight lead K= 引线成型 Lead kinked T= 弹带包装 ammo-pack

W14 CBB81 series

■ 外形尺寸 Dimensions (mm) Pattern I (High performance)

800Vdc						
Cn (μF)	W max	H max	T max	P	d	Part number
0.0010	18.0	12.0	7.0	15.0	0.8	W142K102-M8*****
0.0012	18.0	12.5	7.0	15.0	0.8	W142K122-M8*****
0.0015	18.0	13.0	7.5	15.0	0.8	W142K152-M8*****
0.0016	18.0	13.0	8.0	15.0	0.8	W142K162-M8*****
0.0018	18.0	13.5	8.0	15.0	0.8	W142K182-M8*****
0.0020	18.0	13.5	8.5	15.0	0.8	W142K202-M8*****
0.0022	18.0	14.0	9.0	15.0	0.8	W142K222-M8*****
0.0024	18.0	14.5	9.0	15.0	0.8	W142K242-M8*****
0.0027	18.0	14.5	9.5	15.0	0.8	W142K272-M8*****
0.0030	18.0	15.0	10.0	15.0	0.8	W142K302-M8*****
0.0033	18.0	15.5	10.0	15.0	0.8	W142K332-M8*****
0.0036	18.0	13.0	8.0	15.0	0.8	W142K362-M8*****
0.0039	18.0	13.5	8.5	15.0	0.8	W142K392-M8*****
0.0043	18.0	14.0	8.5	15.0	0.8	W142K432-M8*****
0.0047	18.0	14.0	9.0	15.0	0.8	W142K472-M8*****
0.0049	18.0	14.0	9.0	15.0	0.8	W142K492-M8*****
0.0051	18.0	14.5	9.0	15.0	0.8	W142K512-M8*****
0.0053	18.0	14.5	9.5	15.0	0.8	W142K532-M8*****
0.0056	18.0	14.5	9.5	15.0	0.8	W142K562-M8*****
0.0060	18.0	15.0	10.0	15.0	0.8	W142K602-M8*****
0.0062	18.0	15.0	10.0	15.0	0.8	W142K622-M8*****
0.0065	18.0	15.5	10.0	15.0	0.8	W142K652-M8*****
0.0068	18.0	15.5	10.5	15.0	0.8	W142K682-M8*****
0.0072	18.0	15.5	10.5	15.0	0.8	W142K722-M8*****
0.0075	18.0	16.0	10.5	15.0	0.8	W142K752-M8*****
0.0078	18.0	16.0	11.0	15.0	0.8	W142K782-M8*****
0.0082	18.0	16.5	11.0	15.0	0.8	W142K822-M8*****
0.0084	18.0	16.5	11.0	15.0	0.8	W142K842-M8*****
0.0091	18.0	17.0	11.5	15.0	0.8	W142K912-M8*****
0.010	18.0	17.5	12.0	15.0	0.8	W142K103-M8*****
0.012	18.0	13.0	8.0	15.0	0.8	W142K123-M8*****
0.015	18.0	14.0	8.5	15.0	0.8	W142K153-M8*****
0.018	18.0	14.5	9.5	15.0	0.8	W142K183-M8*****
0.022	18.0	15.5	10.0	15.0	0.8	W142K223-M8*****
0.024	18.0	15.5	10.5	15.0	0.8	W142K243-M8*****
0.027	18.0	16.0	11.0	15.0	0.8	W142K273-M8*****
0.033	23.0	16.0	9.5	20.0	0.8	W142K333-N8*****
0.036	23.0	16.5	9.5	20.0	0.8	W142K363-N8*****
0.039	23.0	16.5	10.0	20.0	0.8	W142K393-N8*****
0.047	23.0	17.5	11.0	20.0	0.8	W142K473-N8*****
0.056	23.0	18.5	11.5	20.0	0.8	W142K563-N8*****
0.068	26.0	19.0	11.0	22.0	0.8	W142K683-P8*****
0.082	26.0	20.0	12.0	22.0	0.8	W142K823-P8*****
0.10	26.0	21.5	13.0	22.0	0.8	W142K104-P8*****

1000/1200Vdc#						
Cn (μF)	W max	H max	T max	P	d	Part number
0.0010	18.0	12.0	7.0	15.0	0.8	W143A102-M8*****
0.0012	18.0	12.5	7.0	15.0	0.8	W143A122-M8*****
0.0015	18.0	13.0	7.5	15.0	0.8	W143A152-M8*****
0.0016	18.0	13.0	8.0	15.0	0.8	W143A162-M8*****
0.0018	18.0	13.5	8.0	15.0	0.8	W143A182-M8*****
0.0020	18.0	13.5	8.5	15.0	0.8	W143A202-M8*****
0.0022	18.0	14.0	9.0	15.0	0.8	W143A222-M8*****
0.0024	18.0	14.5	9.0	15.0	0.8	W143A242-M8*****
0.0027	18.0	14.5	9.5	15.0	0.8	W143A272-M8*****
0.0030	18.0	15.0	10.0	15.0	0.8	W143A302-M8*****
0.0033	18.0	15.5	10.0	15.0	0.8	W143A332-M8*****
0.0036	18.0	13.0	8.0	15.0	0.8	W143A362-M8*****
0.0039	18.0	13.5	8.5	15.0	0.8	W143A392-M8*****
0.0043	18.0	14.0	8.5	15.0	0.8	W143A432-M8*****
0.0047	18.0	14.0	9.0	15.0	0.8	W143A472-M8*****
0.0049	18.0	14.0	9.0	15.0	0.8	W143A492-M8*****
0.0051	18.0	14.5	9.0	15.0	0.8	W143A512-M8*****
0.0053	18.0	14.5	9.5	15.0	0.8	W143A532-M8*****
0.0056	18.0	14.5	9.5	15.0	0.8	W143A562-M8*****
0.0060	23.0	14.5	7.5	20.0	0.8	W143A602-N8*****
0.0062	23.0	14.5	7.5	20.0	0.8	W143A622-N8*****
0.0065	23.0	14.5	8.0	20.0	0.8	W143A652-N8*****
0.0068	23.0	14.5	8.0	20.0	0.8	W143A682-N8*****
0.0072	23.0	15.0	8.0	20.0	0.8	W143A722-N8*****
0.0075	23.0	15.0	8.0	20.0	0.8	W143A752-N8*****
0.0078	23.0	15.0	8.5	20.0	0.8	W143A782-N8*****
0.0082	23.0	15.5	8.5	20.0	0.8	W143A822-N8*****
0.0084	23.0	15.5	8.5	20.0	0.8	W143A842-N8*****
0.0091	23.0	15.5	9.0	20.0	0.8	W143A912-N8*****
0.010	23.0	16.0	9.0	20.0	0.8	W143A103-N8*****
0.012	23.0	16.5	10.0	20.0	0.8	W143A123-N8*****
0.015	29.0	15.5	9.0	25.0	0.8	W143A153-R8*****
0.018	29.0	16.5	9.5	25.0	0.8	W143A183-R8*****
0.022	29.0	18.5	10.0	25.0	0.8	W143A223-R8*****
0.024	29.0	18.5	10.5	25.0	0.8	W143A243-R8*****
0.027	29.0	19.0	11.0	25.0	0.8	W143A273-R8*****
0.033	29.0	20.5	12.0	25.0	0.8	W143A333-R8*****
0.036	29.0	20.5	12.5	25.0	0.8	W143A363-R8*****

备注：1. “-”表示容量偏差。“-”=capacitance tolerance code, M=±20%,K=±10%,J=±5%,H=±3%

2. 第12位表示引线加工和包装代码, L=直脚 straight lead K=引线成型 Lead kinked T=弹带包装 ammo-pack

3. “#”当额定电压是1200Vdc时,第4~5位代码是3M。“#”when the rated voltage is 1200Vdc, the digit 4~5 is3M

W14 CBB81 series

■ 外形尺寸 Dimensions (mm) Pattern I (High performance)

1600/2000Vdc #						
Cn (μ F)	W max	H max	T max	P	d	Part number
0.0010	18.0	12.0	7.0	15.0	0.8	W143C102-M8*****
0.0012	18.0	12.5	7.0	15.0	0.8	W143C122-M8*****
0.0015	18.0	13.0	7.5	15.0	0.8	W143C152-M8*****
0.0016	18.0	13.0	8.0	15.0	0.8	W143C162-M8*****
0.0018	18.0	13.5	8.0	15.0	0.8	W143C182-M8*****
0.0020	18.0	13.5	8.5	15.0	0.8	W143C202-M8*****
0.0022	18.0	14.0	9.0	15.0	0.8	W143C222-M8*****
0.0024	18.0	14.5	9.0	15.0	0.8	W143C242-M8*****
0.0027	18.0	14.5	9.5	15.0	0.8	W143C272-M8*****
0.0030	18.0	15.0	10.0	15.0	0.8	W143C302-M8*****
0.0033	18.0	15.5	10.0	15.0	0.8	W143C332-M8*****
0.0036	23.0	14.5	9.0	20.0	0.8	W143C362-N8*****
0.0039	23.0	15.5	9.0	20.0	0.8	W143C392-N8*****
0.0043	23.0	16.0	9.0	20.0	0.8	W143C432-N8*****
0.0047	23.0	16.0	9.5	20.0	0.8	W143C472-N8*****
0.0049	23.0	16.5	9.5	20.0	0.8	W143C492-N8*****
0.0051	23.0	16.5	10.0	20.0	0.8	W143C512-N8*****
0.0053	23.0	16.5	10.0	20.0	0.8	W143C532-N8*****
0.0056	23.0	17.0	10.0	20.0	0.8	W143C562-N8*****
0.0060	23.0	15.5	8.5	20.0	0.8	W143C602-N8*****
0.0062	23.0	15.5	9.0	20.0	0.8	W143C622-N8*****
0.0065	23.0	15.5	9.0	20.0	0.8	W143C652-N8*****
0.0068	23.0	16.0	9.0	20.0	0.8	W143C682-N8*****
0.0072	23.0	16.0	9.5	20.0	0.8	W143C722-N8*****
0.0075	23.0	16.5	9.5	20.0	0.8	W143C752-N8*****
0.0078	23.0	16.5	9.5	20.0	0.8	W143C782-N8*****
0.0082	23.0	16.5	10.0	20.0	0.8	W143C822-N8*****
0.0084	23.0	16.5	10.0	20.0	0.8	W143C842-N8*****
0.0091	23.0	17.0	10.5	20.0	0.8	W143C912-N8*****
0.010	29.0	15.5	8.5	25.0	0.8	W143C103-R8*****
0.012	29.0	16.0	9.5	25.0	0.8	W143C123-R8*****
0.015	29.0	18.0	9.5	25.0	0.8	W143C153-R8*****
0.018	29.0	19.0	10.5	25.0	0.8	W143C183-R8*****
0.022	29.0	20.0	11.5	25.0	0.8	W143C223-R8*****
0.024	29.0	20.5	12.0	25.0	0.8	W143C243-R8*****
0.027	31.0	20.5	12.0	27.0	0.8	W143C273-R8*****
0.033	31.0	21.5	13.0	27.0	0.8	W143C333-R8*****
0.036	31.0	22.0	13.5	27.0	0.8	W143C363-R8*****

备注：1. “-”表示容量偏差。“-”=capacitance tolerance code, M=±20%,K=±10%,J=±5%,H=±3%

2. 第12位表示引线加工和包装代码, L=直脚 straight lead K=引线成型 Lead kinked T=弹带包装 ammo-pack

3. “#”当额定电压是2000Vdc时,第4~5位代码是3D。“#”when the rated voltage is 2000Vdc, the digit 4~5 is3D.