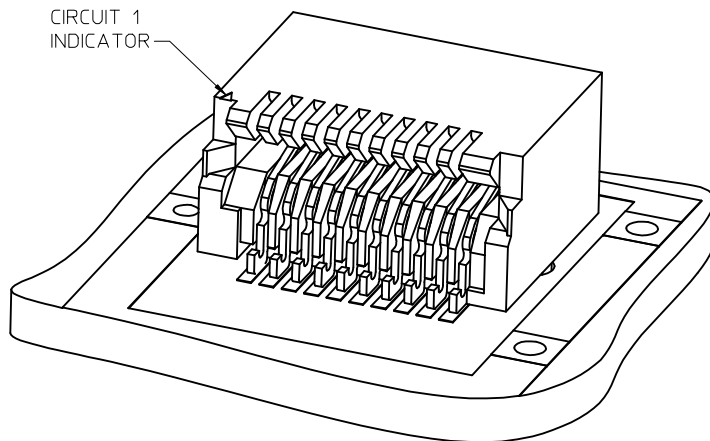


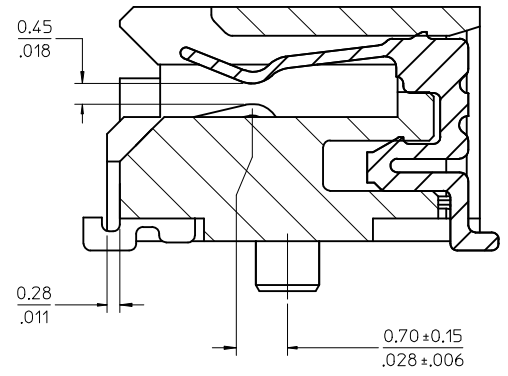
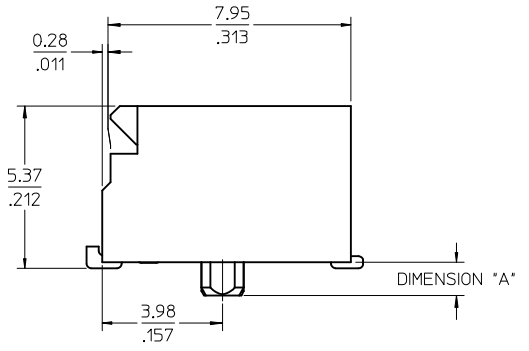
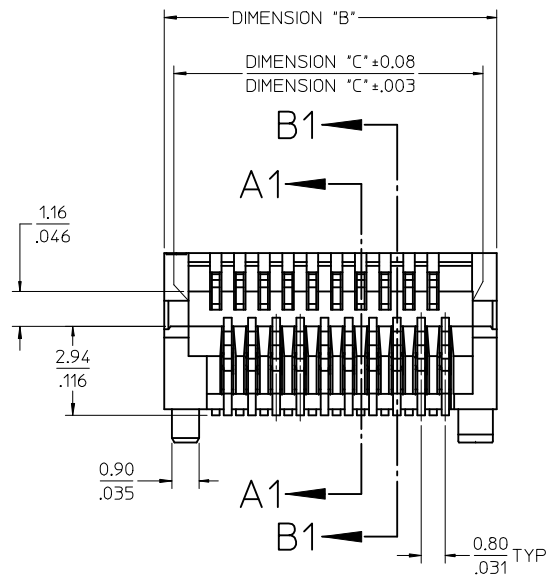
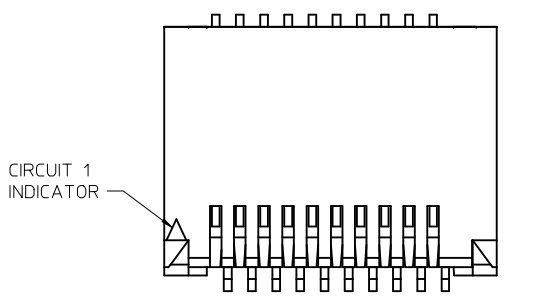
| CKT SIZE | PART NUMBER | TOOLED | DESCRIPTION | DIMENSIONS | | | | MULTI-SOURCE AGREEMENT | CIRCUIT BOARD LAYOUT |
|----------|-------------|--------|-------------------|------------|-------------|-------------|-------------|------------------------|----------------------|
| | | | | "A" | "B" | "C" | "D" | | |
| 20 | 74441-0001 | YES | PLATED PER NOTE 2 | 1.10/.043 | 11.00/.433 | 9.40/.370 | 9.60/.378 | SFP | SEE SHEET 3 |
| | 74441-0004 | NO* | PLATED PER NOTE 2 | 0.76/.030 | | | | | |
| | 74441-0010 | YES | PLATED PER NOTE 3 | 1.10/.043 | | | | | |
| | 74441-0014 | NO* | PLATED PER NOTE 3 | 0.76/.030 | | | | | |
| | 74441-0031 | YES | PLATED PER NOTE 4 | 1.10/.043 | | | | | |
| | 74441-0041 | YES | PLATED PER NOTE 5 | 1.10/.043 | | | | | |
| | 74441-9001 | YES | PLATED PER NOTE 2 | 1.10/.043 | | | | | |
| 30 | 74441-9010 | YES | PLATED PER NOTE 3 | 1.10/.043 | 15.00/.591 | 13.40/.528 | 13.60/.535 | XFP | SEE SHEET 4 |
| | 74441-0007 | YES | PLATED PER NOTE 2 | 1.10/.043 | | | | | |
| | 74441-0017 | YES | PLATED PER NOTE 3 | 1.10/.043 | | | | | |
| | 74441-0037 | YES | PLATED PER NOTE 4 | 1.10/.043 | | | | | |
| 40 | 74441-9007 | YES | PLATED PER NOTE 2 | 1.10/.043 | 19.00/.748 | 17.40/.685 | 17.60/.693 | | SEE SHEET 5 |
| | 74441-0005 | YES | PLATED PER NOTE 2 | 1.10/.043 | | | | | |
| | 74441-0015 | YES | PLATED PER NOTE 3 | 1.10/.043 | | | | | |
| 50 | 74441-0035 | YES | PLATED PER NOTE 4 | 1.10/.043 | 23.00/.906 | 21.40/.843 | 21.60/.850 | | SEE SHEET 6 |
| | 74441-9005 | YES | PLATED PER NOTE 2 | 1.10/.043 | | | | | |
| | 74441-0008 | YES | PLATED PER NOTE 2 | 1.10/.043 | | | | | |
| 70 | 74441-0018 | YES | PLATED PER NOTE 3 | 1.10/.043 | 31.00/1.220 | 29.40/1.517 | 29.60/1.165 | XENPAK XPAK X2 | SEE SHEET 7 |
| | 74441-0038 | YES | PLATED PER NOTE 5 | 1.10/.043 | | | | | |
| | 74441-0003 | YES | PLATED PER NOTE 2 | 1.10/.043 | | | | | |
| | 74441-0013 | YES | PLATED PER NOTE 3 | 1.10/.043 | | | | | |
| | 74441-0033 | YES | PLATED PER NOTE 4 | 1.10/.043 | | | | | |
| | 74441-9003 | YES | PLATED PER NOTE 2 | 1.10/.043 | | | | | |

NOTES

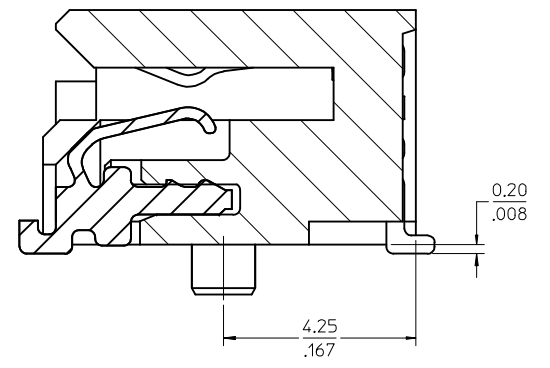
- MATERIAL:**
HOUSING - HIGH TEMPERATURE THERMOPLASTIC GLASS FILLED, UL 94V-0, BLACK
TERMINALS - COPPER ALLOY
- PLATING (SEE TABLE):**
CONTACT AREA - 0.38 MICROMETER MINIMUM GOLD OVER NICKEL
SOLDER FOOT AREA - 2.54 MICROMETER MINIMUM TIN OVER NICKEL
- PLATING (SEE TABLE):**
CONTACT AREA - 0.76 MICROMETER MINIMUM GOLD OVER NICKEL
SOLDER AREA - 2.54 MICROMETER MINIMUM TIN OVER NICKEL
- PLATING (SEE TABLE):**
CONTACT AREA - 0.76 MICROMETER MINIMUM GOLD OVER 2.54 NICKEL
SOLDER AREA: GOLD FLASH OVER NICKEL.
- PLATING (SEE TABLE):**
CONTACT AREA - 0.38 MICROMETER MINIMUM GOLD OVER NICKEL,
SOLDER AREA: GOLD FLASH OVER NICKEL.
- SOLDER FEET COPLANAR WITHIN 0.10/.004 FOR 20, 30 AND 40 CIRCUIT CONNECTORS,
WITHIN 0.15/.006 FOR 50 AND 70 CIRCUIT CONNECTORS**
- * CONTACT PLANT FOR MORE INFORMATION**
- DATE CODE: 4 DIGIT (3 DIGIT DAY, 1 DIGIT YEAR)**
- THE CIRCUIT 1 INDICATOR MAY VARY IN SIZE AND APPEARANCE.**



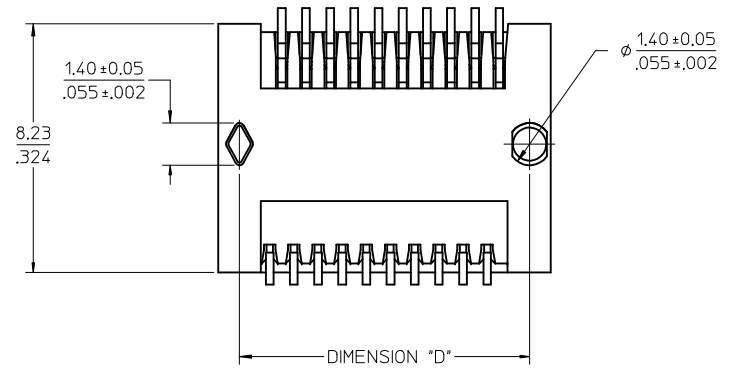
| | | | | | | |
|--|------------------------|--|---|------------------|--------------|------------------------|
| REV. NOTES & TABLE EC NO: UCP2014-2110 DRWNSVANG01 2013/11/14 CHKD:TIBARRA 2013/11/14 APPR:SMILLER 2013/12/06 | QUALITY SYMBOLS | GENERAL TOLERANCES (UNLESS SPECIFIED) | DIMENSION STYLE | SCALE | DESIGN UNITS | THIRD ANGLE PROJECTION |
| | ▽=0 | mm INCH | MM/IN | 1:1 | METRIC | |
| | ▽=0 | 4 PLACES ± --- ± --- | DRAWN BY DATE | SALES ASSEMBLY | | |
| | ▽=0 | 3 PLACES ± --- ± --- | HAVERY 00/04/06 | Z AXIS PLUGGABLE | | |
| | 2 PLACES ± 0.13 ± .005 | CHECKED BY DATE | PCB CONNECTOR | | | |
| | 1 PLACE ± 0.25 ± .010 | KSWEENEY 00/04/06 | molex | | | |
| | 0 PLACE ± ± | APPROVED BY DATE | DOCUMENT NO. | | | |
| | | MBANAK IS 00/04/06 | SD-74441-001 | | | |
| | | MATERIAL NO. | SHEET NO. | | | |
| | | ANGULAR ±1/2° | 1 OF 7 | | | |
| | | DRAFT WHERE APPLICABLE MUST REMAIN WITHIN DIMENSIONS | THIS DRAWING CONTAINS INFORMATION THAT IS PROPRIETARY TO MOLEX INCORPORATED AND SHOULD NOT BE USED WITHOUT WRITTEN PERMISSION | | | |



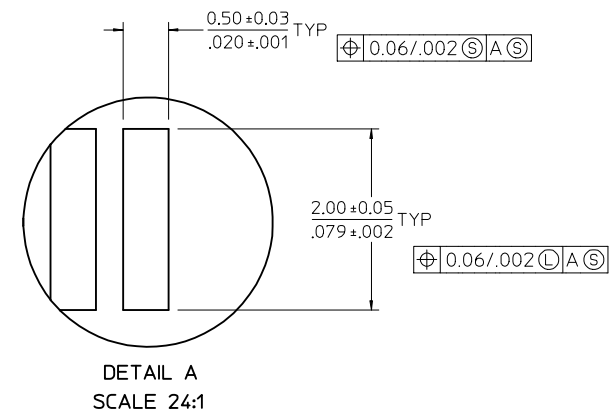
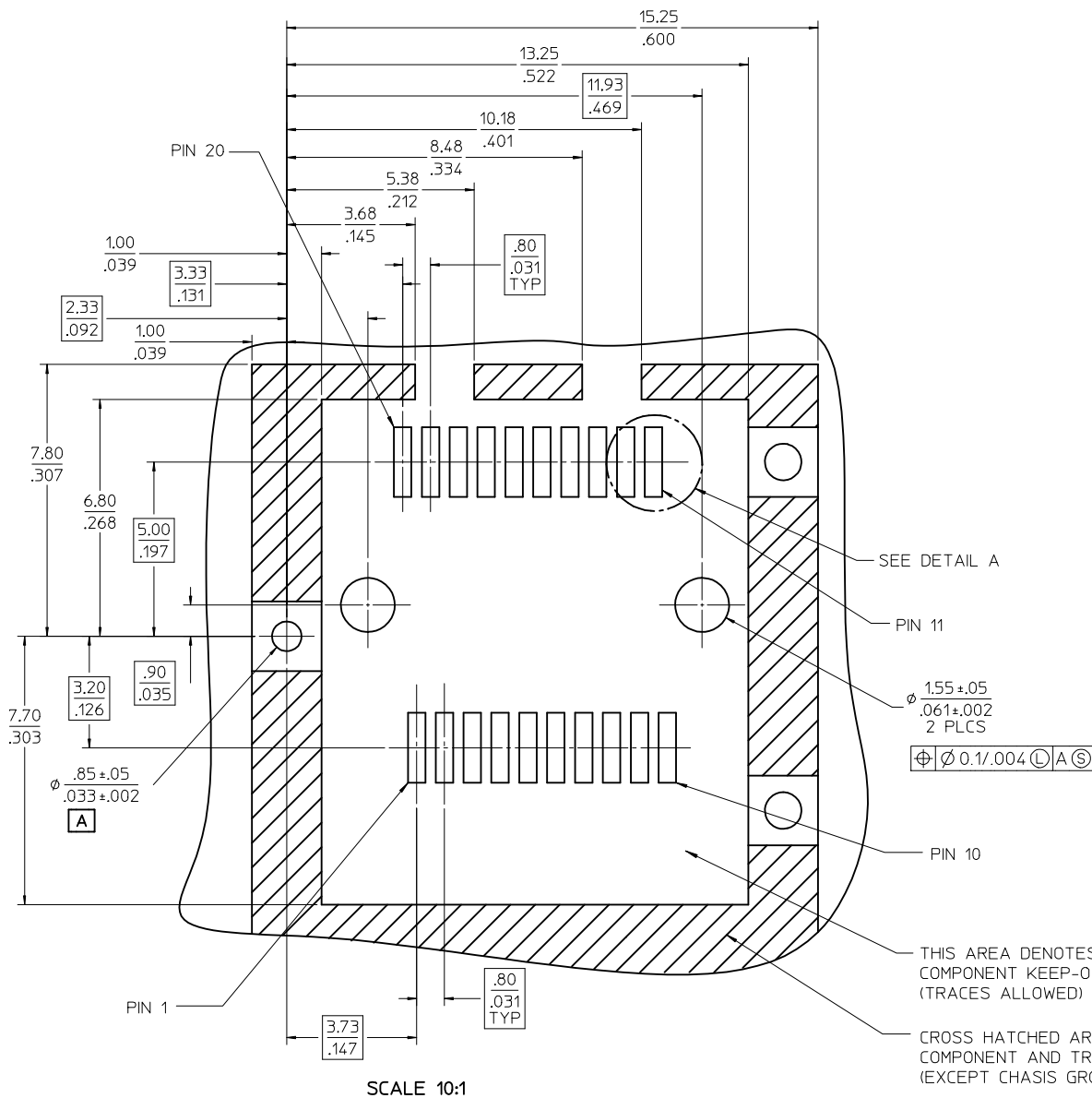
SECTION A1-A1
SCALE 12:1



SECTION B1-B1
SCALE 12:1



| | | | | | | | | | | |
|--|--------------------------------------|--|----|--------------------------|-------------------------|---|--|------------------------|--|--|
| SEE SHEET 1 EC NO: UCP2014-2110 DRWNSYANG01 2013/11/14 CHKD:TIBARRA 2013/11/14 APPR:SMILLER 2013/12/06 | QUALITY SYMBOLS ∇=0 ∇=0 ∇=0 | GENERAL TOLERANCES (UNLESS SPECIFIED) | | DIMENSION STYLE MM/IN | | SCALE 6:1 | DESIGN UNITS METRIC | THIRD ANGLE PROJECTION | | |
| | | 4 PLACES ± --- ± --- | mm | INCH | DRAWN BY HAVERY | DATE 00/04/06 | SALES ASSEMBLY Z AXIS PLUGGABLE PCB CONNECTOR molex DOCUMENT NO. SD-74441-001 SHEET NO. 2 OF 7 | | | |
| | | 3 PLACES ± --- ± --- | | | CHECKED BY KSWEENEY | DATE 00/04/06 | | | | |
| | | 2 PLACES ± 0.13 ± .005 | | | APPROVED BY MBANAKIS | DATE 00/04/06 | | | | |
| 1 PLACE ± 0.25 ± .010 | | | | | | | | | | |
| 0 PLACE ± ± | | | | | | | | | | |
| | | ANGULAR ±1/2° | | MATERIAL NO. | | DOCUMENT NO. | | | | |
| | | DRAFT WHERE APPLICABLE MUST REMAIN WITHIN DIMENSIONS | | SEE TBL, SHT 1 | | SD-74441-001 | | SHEET NO. 2 OF 7 | | |
| | | | | SIZE C | | THIS DRAWING CONTAINS INFORMATION THAT IS PROPRIETARY TO MOLEX INCORPORATED AND SHOULD NOT BE USED WITHOUT WRITTEN PERMISSION | | | | |



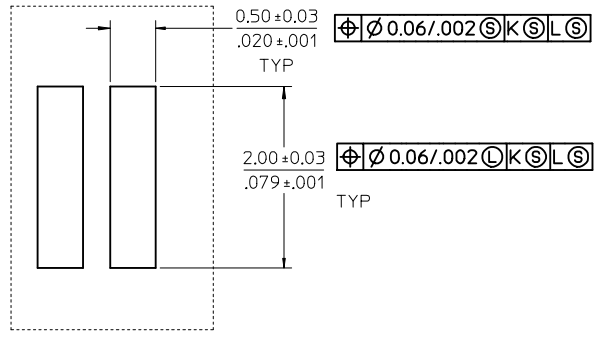
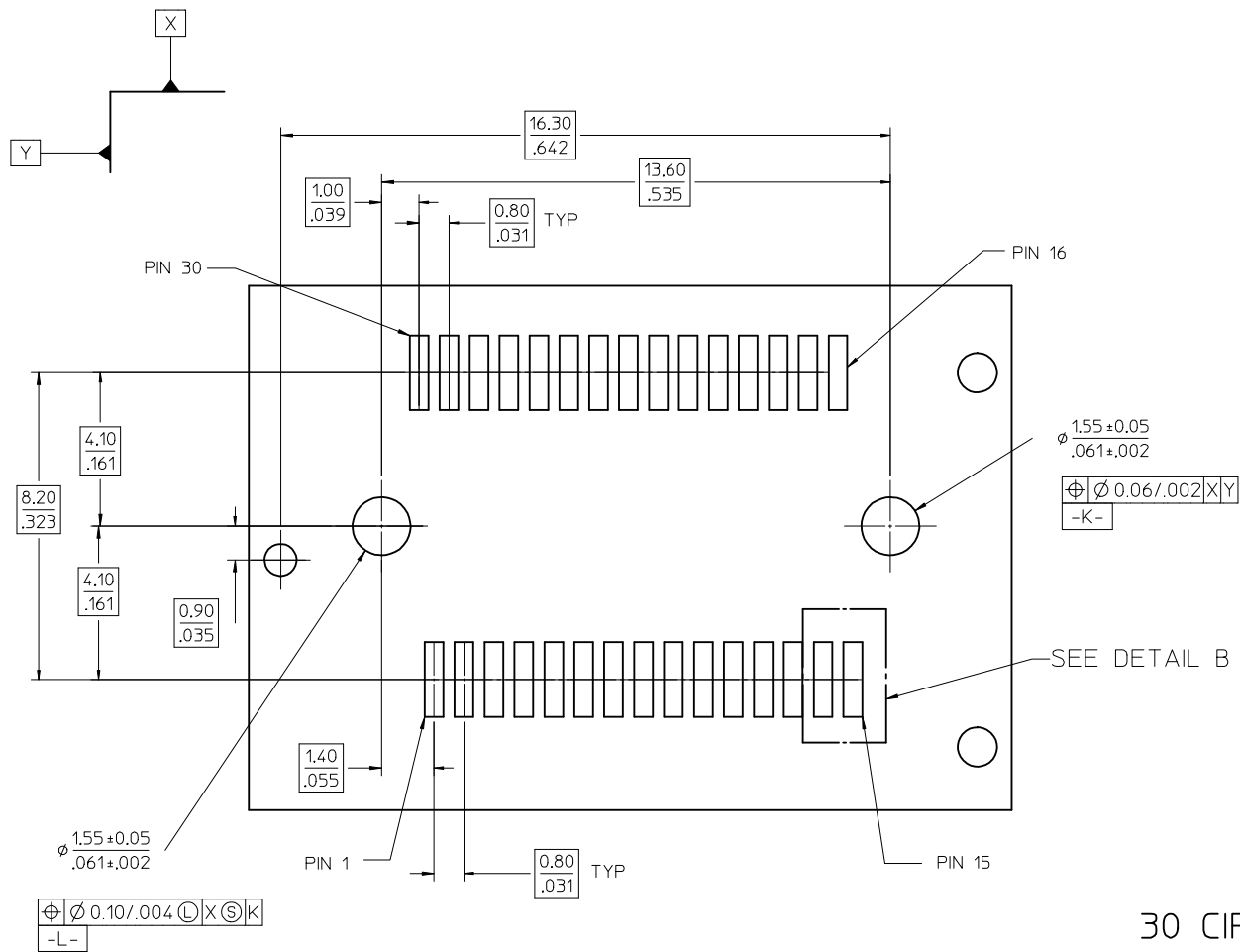
20 CIRCUIT MOTHER BOARD
RECOMMENDED PCB LAYOUT

SCALE 10:1

THIS AREA DENOTES
COMPONENT KEEP-OUT
(TRACES ALLOWED)

CROSS HATCHED AREA DENOTES
COMPONENT AND TRACE KEEP-OUT
(EXCEPT CHASSIS GROUND)

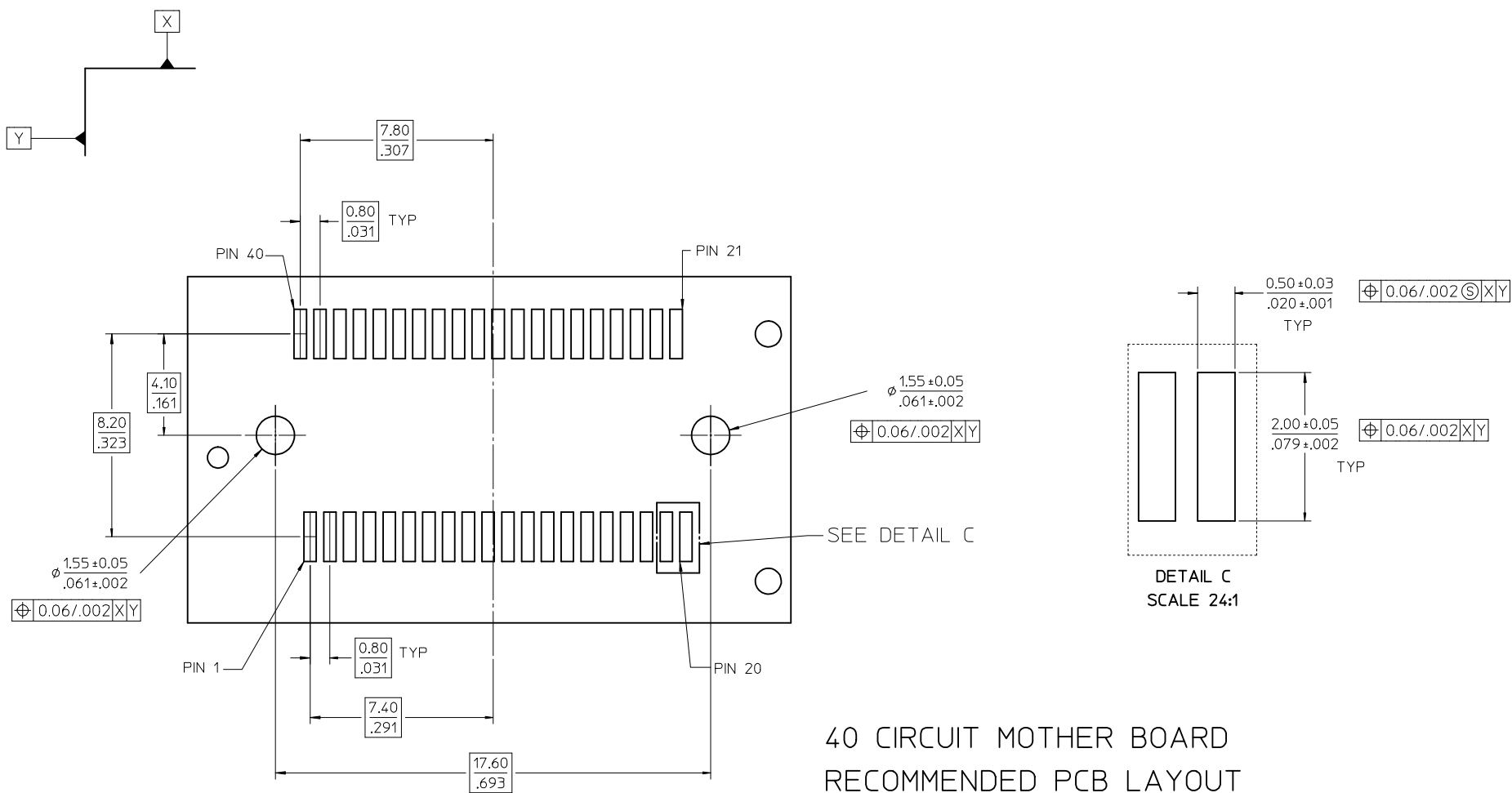
| SEE SHEET 1 EC NO: UCP2014-210 DRWNS:VANG01 2013/11/14 CHKD:TIBARRA 2013/11/14 APPR:SMILLER 2013/12/06 REV W | QUALITY SYMBOLS | GENERAL TOLERANCES (UNLESS SPECIFIED) <table border="1"> <tr> <th></th> <th>mm</th> <th>INCH</th> </tr> <tr> <td>4 PLACES</td> <td>± .005</td> <td>± .0005</td> </tr> <tr> <td>3 PLACES</td> <td>± .005</td> <td>± .0005</td> </tr> <tr> <td>2 PLACES</td> <td>± 0.13</td> <td>± .005</td> </tr> <tr> <td>1 PLACE</td> <td>± 0.25</td> <td>± .010</td> </tr> <tr> <td>0 PLACE</td> <td>±</td> <td>±</td> </tr> </table> | | mm | INCH | 4 PLACES | ± .005 | ± .0005 | 3 PLACES | ± .005 | ± .0005 | 2 PLACES | ± 0.13 | ± .005 | 1 PLACE | ± 0.25 | ± .010 | 0 PLACE | ± | ± | DIMENSION STYLE MM/IN | SCALE 8:1 | DESIGN UNITS METRIC | THIRD ANGLE PROJECTION |
|---|---------------------|--|------------------|--|------------------------------|---------------------|---|---------|----------|--------|---------|----------|--------|--------|---------|--------|--------|---------|---|---|--------------------------|--------------|------------------------|------------------------|
| | | mm | INCH | | | | | | | | | | | | | | | | | | | | | |
| | 4 PLACES | ± .005 | ± .0005 | | | | | | | | | | | | | | | | | | | | | |
| | 3 PLACES | ± .005 | ± .0005 | | | | | | | | | | | | | | | | | | | | | |
| 2 PLACES | ± 0.13 | ± .005 | | | | | | | | | | | | | | | | | | | | | | |
| 1 PLACE | ± 0.25 | ± .010 | | | | | | | | | | | | | | | | | | | | | | |
| 0 PLACE | ± | ± | | | | | | | | | | | | | | | | | | | | | | |
| | | DRAWN BY HAVERY | DATE 00/04/06 | TITLE SALES ASSEMBLY Z AXIS PLUGGABLE PCB CONNECTOR | | | | | | | | | | | | | | | | | | | | |
| | | CHECKED BY KSWEENEY | DATE 00/04/06 | | | | | | | | | | | | | | | | | | | | | |
| | | APPROVED BY MBANAKIS | DATE 00/04/06 | MATERIAL NO. SEE TBL, SHT 1 | DOCUMENT NO. SD-74441-001 | SHEET NO. 3 OF 7 | | | | | | | | | | | | | | | | | | |
| | | DRAFT WHERE APPLICABLE MUST REMAIN WITHIN DIMENSIONS | | | | | THIS DRAWING CONTAINS INFORMATION THAT IS PROPRIETARY TO MOLEX INCORPORATED AND SHOULD NOT BE USED WITHOUT WRITTEN PERMISSION | | | | | | | | | | | | | | | | | |



DETAIL B
SCALE 24:1

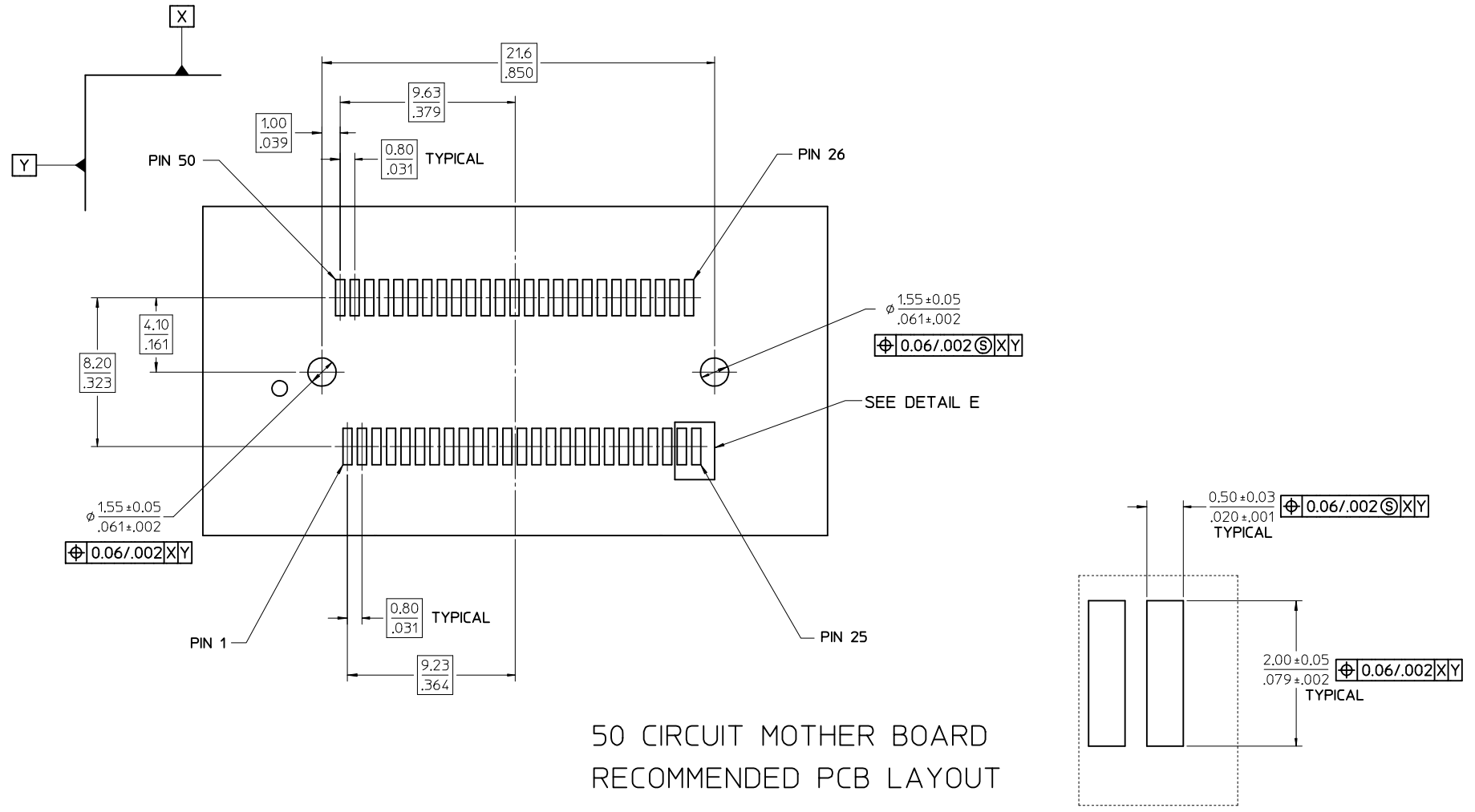
30 CIRCUIT MOTHER BOARD RECOMMENDED PCB LAYOUT

| | | | | | | | | | |
|---|------------------------|--|---------------|-----------------|-------------|--|--------------|--|--|
| SEE SHEET 1 EC NO: UCP2014-2110 DRWNS:VANG01 2013/11/14 CHKD:TIBARRA 2013/11/14 APPR:SMILLER 2013/12/06 | QUALITY SYMBOLS | GENERAL TOLERANCES (UNLESS SPECIFIED) | | DIMENSION STYLE | | SCALE | DESIGN UNITS | THIRD ANGLE PROJECTION | |
| | ▽=0 | mm | INCH | MM/IN | | 6:1 | METRIC | SALES ASSEMBLY Z AXIS PLUGGABLE PCB CONNECTOR molex DOCUMENT NO. SD-74441-001 SHEET NO. 4 OF 7 | |
| | ▽=0 | 4 PLACES ± --- ± --- | ± --- ± --- | DRAWN BY | DATE | TITLE | | | |
| | ▽=0 | 3 PLACES ± --- ± --- | ± --- ± --- | HAVERY | 00/04/06 | CHECKED BY | DATE | | |
| ▽=0 | 2 PLACES ± 0.13 ± .005 | ± .005 ± .005 | KSWEENEY | 00/04/06 | APPROVED BY | DATE | | | |
| REV | DESCRIPTION | 1 PLACE ± 0.25 ± .010 | ± .010 ± .010 | MBANAK IS | 00/04/06 | MATERIAL NO. | | INCORPORATED AND SHOULD NOT BE USED WITHOUT WRITTEN PERMISSION | |
| W | | 0 PLACE ± ± | ± ± | SEE TBL, SHT 1 | | ANGULAR ±1/2° | | THIS DRAWING CONTAINS INFORMATION THAT IS PROPRIETARY TO MOLEX | |
| | | DRAFT WHERE APPLICABLE MUST REMAIN WITHIN DIMENSIONS | | SIZE | | INCORPORATED AND SHOULD NOT BE USED WITHOUT WRITTEN PERMISSION | | | |

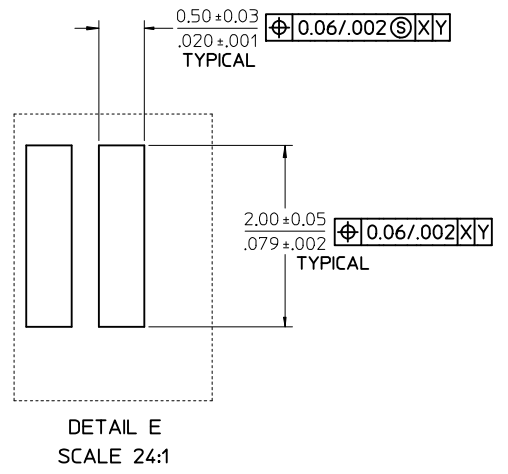


40 CIRCUIT MOTHER BOARD
RECOMMENDED PCB LAYOUT

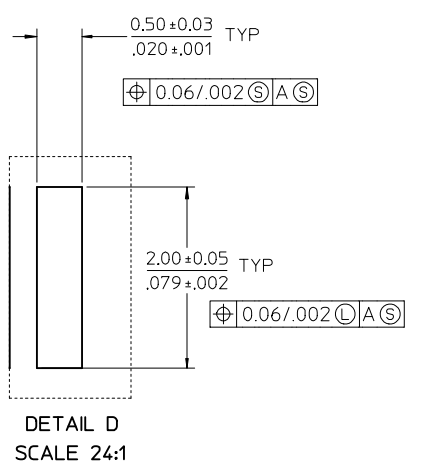
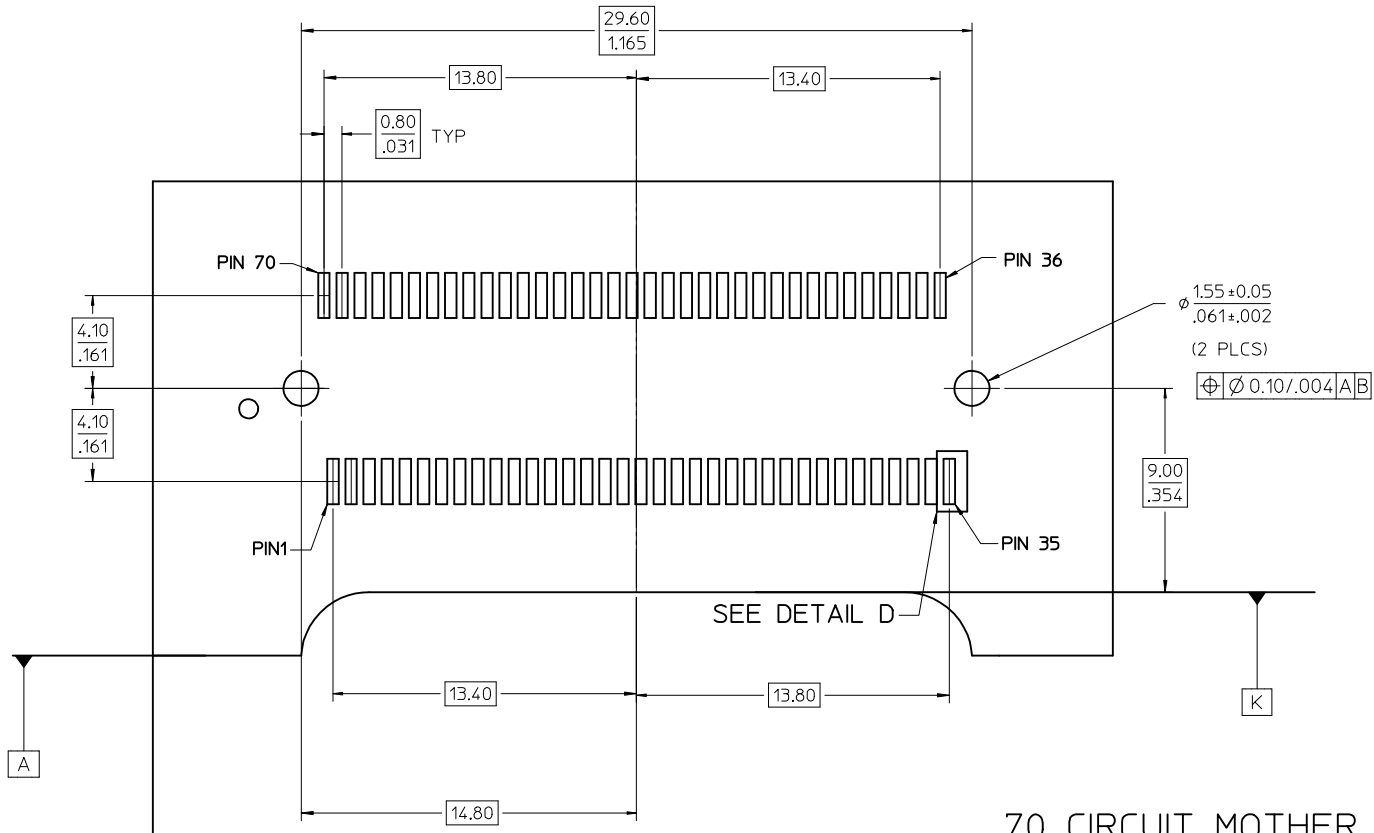
| SEE SHEET 1 EC NO: UCP2014-2110 DRWNSVANG01 2013/11/14 CHKD:TIBARRA 2013/11/14 APPR:SMILLER 2013/12/06 | QUALITY SYMBOLS ▽=0 ▽=0 ▽=0 | GENERAL TOLERANCES (UNLESS SPECIFIED) <table border="1"> <thead> <tr> <th></th> <th>mm</th> <th>INCH</th> </tr> </thead> <tbody> <tr> <td>4 PLACES</td> <td>± ---</td> <td>± ---</td> </tr> <tr> <td>3 PLACES</td> <td>± ---</td> <td>± ---</td> </tr> <tr> <td>2 PLACES</td> <td>± 0.13</td> <td>± .005</td> </tr> <tr> <td>1 PLACE</td> <td>± 0.25</td> <td>± .010</td> </tr> <tr> <td>0 PLACE</td> <td>±</td> <td>±</td> </tr> </tbody> </table> | | mm | INCH | 4 PLACES | ± --- | ± --- | 3 PLACES | ± --- | ± --- | 2 PLACES | ± 0.13 | ± .005 | 1 PLACE | ± 0.25 | ± .010 | 0 PLACE | ± | ± | DIMENSION STYLE MM/IN DRAWN BY DATE HAVERY 00/04/06 CHECKED BY DATE KSWEENEY 00/04/06 APPROVED BY DATE MBANAKIS 00/04/06 | SCALE 6:1 TITLE SALES ASSEMBLY Z AXIS PLUGGABLE PCB CONNECTOR | DESIGN UNITS METRIC THIRD ANGLE PROJECTION | MATERIAL NO. SEE TBL, SHT 1 | DOCUMENT NO. SD-74441-001 | SHEET NO. 5 OF 7 |
|---|--------------------------------------|--|-------|----|------|----------|-------|-------|----------|-------|-------|----------|--------|--------|---------|--------|--------|---------|---|---|--|---|---|---------------------------------------|-------------------------------------|----------------------------|
| | | mm | INCH | | | | | | | | | | | | | | | | | | | | | | | |
| | 4 PLACES | ± --- | ± --- | | | | | | | | | | | | | | | | | | | | | | | |
| | 3 PLACES | ± --- | ± --- | | | | | | | | | | | | | | | | | | | | | | | |
| 2 PLACES | ± 0.13 | ± .005 | | | | | | | | | | | | | | | | | | | | | | | | |
| 1 PLACE | ± 0.25 | ± .010 | | | | | | | | | | | | | | | | | | | | | | | | |
| 0 PLACE | ± | ± | | | | | | | | | | | | | | | | | | | | | | | | |
| DRAFT WHERE APPLICABLE MUST REMAIN WITHIN DIMENSIONS | ANGULAR ±1/2° | THIS DRAWING CONTAINS INFORMATION THAT IS PROPRIETARY TO MOLEX INCORPORATED AND SHOULD NOT BE USED WITHOUT WRITTEN PERMISSION | | | | | | | | | | | | | | | | | | | | | | | | |
| REV W | | | | | | | | | | | | | | | | | | | | | | | | | | |
| | | | | | | | | | | | | | | | | | | | | | | | | | | |



50 CIRCUIT MOTHER BOARD
RECOMMENDED PCB LAYOUT



| | | | | | | | | | | | | | | | |
|--|--------------------------------------|---------------------------------------|----------------------|--|-----------------------|---|------------------------|--|--------------------|------------------|------------------------|------------------|-------------------------|------------------|--------------|
| SEE SHEET 1 EC NO: UCP2014-2110 DRWNSVANG01 2013/11/14 CHKD:TIBARRA 2013/11/14 APPR:SMILLER 2013/12/06 | QUALITY SYMBOLS ▽=0 ▽=0 ▽=0 | GENERAL TOLERANCES (UNLESS SPECIFIED) | | DIMENSION STYLE MM/IN | SCALE 6:1 | DESIGN UNITS METRIC | THIRD ANGLE PROJECTION | | | | | | | | |
| | | 4 PLACES ± --- ± --- | 3 PLACES ± --- ± --- | 2 PLACES ± 0.13 ± .005 | 1 PLACE ± 0.25 ± .010 | 0 PLACE ± ± | ANGULAR ±1/2° | DRAFT WHERE APPLICABLE MUST REMAIN WITHIN DIMENSIONS | DRAWN BY HAVERY | DATE 00/04/06 | CHECKED BY KSWEENEY | DATE 00/04/06 | APPROVED BY MBANAKIS | DATE 00/04/06 | MATERIAL NO. |
| | | | | SEE TBL, SHT 1 | | SALES ASSEMBLY Z AXIS PLUGGABLE PCB CONNECTOR molex | | | | | | | | | |
| | | | | THIS DRAWING CONTAINS INFORMATION THAT IS PROPRIETARY TO MOLEX INCORPORATED AND SHOULD NOT BE USED WITHOUT WRITTEN PERMISSION | | | | | | | | | | | |



70 CIRCUIT MOTHER BOARD
RECOMMENDED PCB LAYOUT

| | | | | | | |
|--|--|---------------------------------------|---|----------------|--------------|------------------------|
| SEE SHEET 1 EC NO: UCP2014-2110 DRWNS:VANG01 2013/11/14 CHKD:TBARRA 2013/11/14 APPR:SMILLER 2013/12/06 | QUALITY SYMBOLS | GENERAL TOLERANCES (UNLESS SPECIFIED) | DIMENSION STYLE | SCALE | DESIGN UNITS | THIRD ANGLE PROJECTION |
| | ▽=0 | mm INCH | MM/IN | 6:1 | METRIC | ⊕ □ |
| | ▽=0 | 4 PLACES ± --- ± --- | DRAWN BY DATE | TITLE | | |
| | ▽=0 | 3 PLACES ± --- ± --- | HAVERY 00/04/06 | SALES ASSEMBLY | | |
| ▽=0 | 2 PLACES ± 0.13 ± .005 | CHECKED BY DATE | Z AXIS PLUGGABLE | | | |
| | 1 PLACE ± 0.25 ± .010 | KSWEENEY 00/04/06 | PCB CONNECTOR | | | |
| | 0 PLACE ± ± | APPROVED BY DATE | molex | | | |
| | ANGULAR ±1/2° | MBANAKIS 00/04/06 | DOCUMENT NO. | | | |
| | DRAFT WHERE APPLICABLE MUST REMAIN WITHIN DIMENSIONS | MATERIAL NO. | SD-74441-001 | | | |
| | | SEE TBL, SHT 1 | SHEET NO. | | | |
| | | SIZE C | 7 OF 7 | | | |
| | | | THIS DRAWING CONTAINS INFORMATION THAT IS PROPRIETARY TO MOLEX INCORPORATED AND SHOULD NOT BE USED WITHOUT WRITTEN PERMISSION | | | |