

Secondary Lens

# Edixeon Secondary Lens

| Approved By<br>Customer | Designer | Checker | Approval |
|-------------------------|----------|---------|----------|
|                         |          |         |          |






















Date : 2006/07/17

Version : 2.2

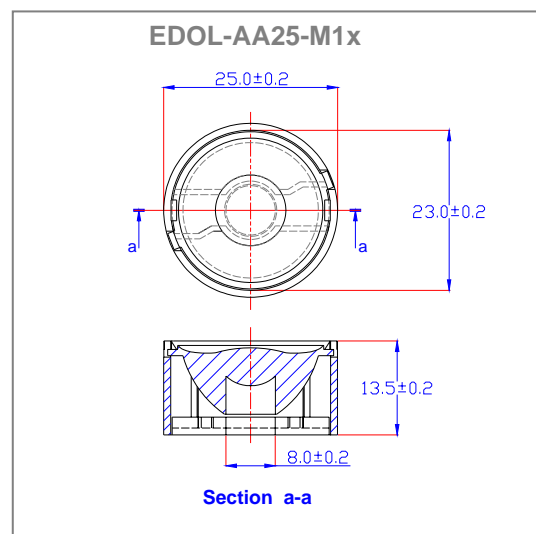
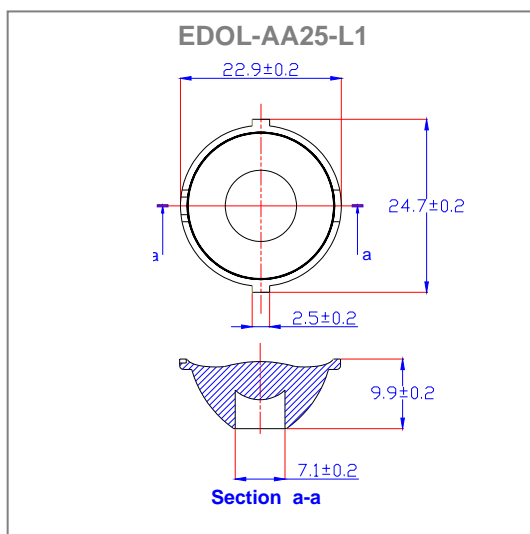
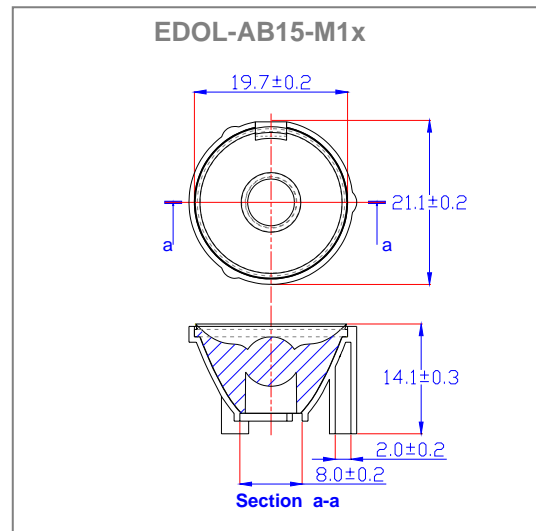
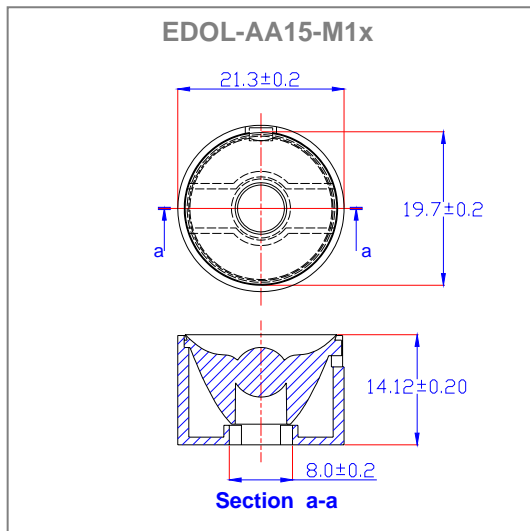
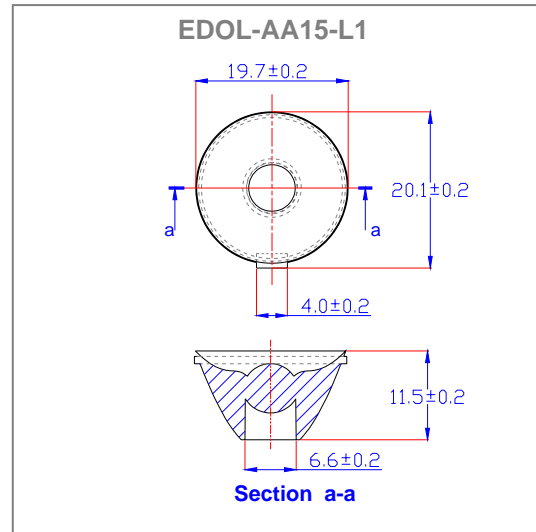
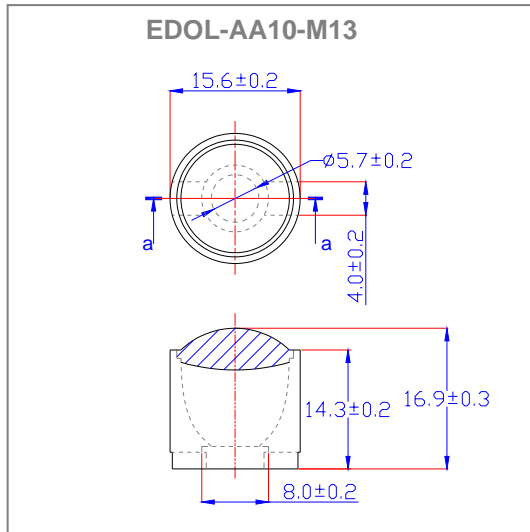
Device No. : 3-RD-01-E0004  
EDISON OPTO CORPORATION  
4F, No. 800, Chung-Cheng Rd,  
Chung-Ho, Taipei 235, Taiwan  
Tel: 886-2-8227-6996  
Fax: 886-2-8227-6997  
<http://www.edison-opto.com.tw>



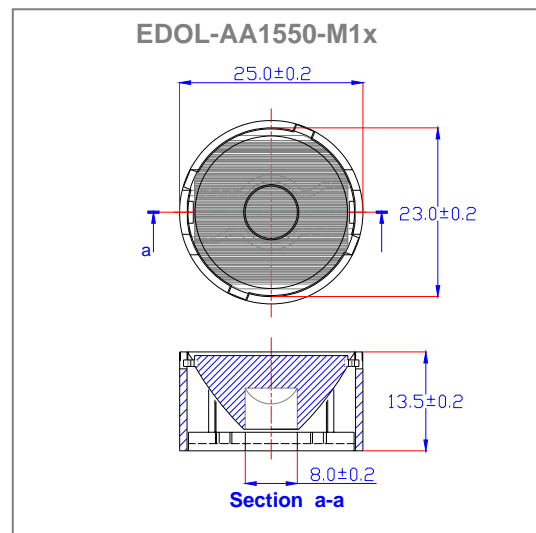
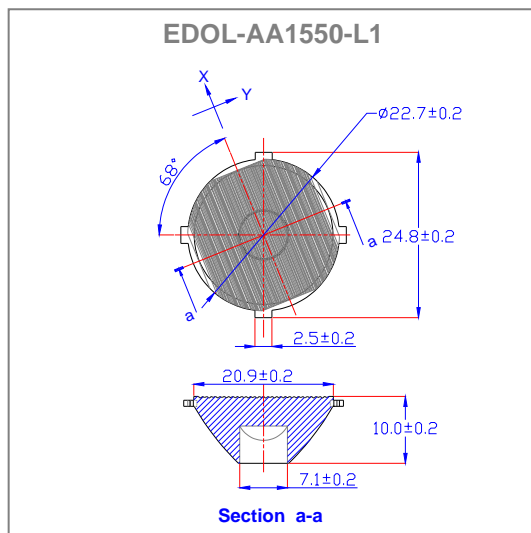
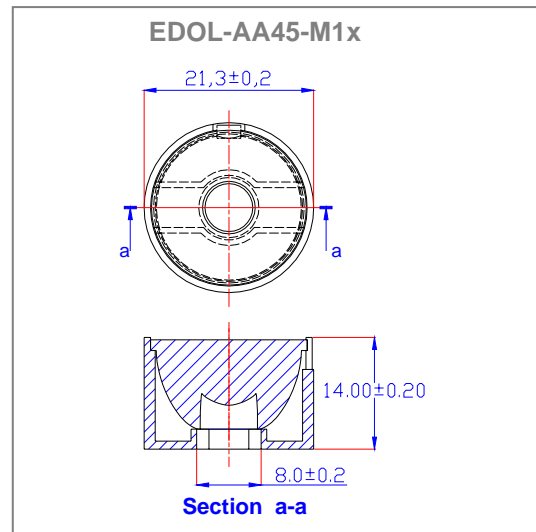
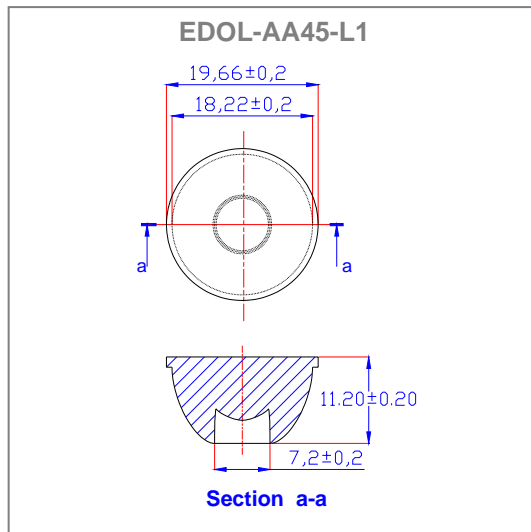
**Secondary Lens Series List:**

| Angle            | Collimator   | Housing Color(with collimator)  |  |   |
|------------------|--|---|--|---|
|                  |  | Black   | Clear  | White   |
| 10°              | --   | <b>EDOL-AA10-M13</b><br>     | --   | --  |
| 15°              | <b>EDOL-AA15-L1</b><br>     | <b>EDOL-AA15-M11</b><br>     | <b>EDOL-AA15-M14</b><br>     | <b>EDOL-AA15-M15</b><br>     |
| 45°              | <b>EDOL-AA45-L1</b><br>    | <b>EDOL-AA45-M12</b><br>    | <b>EDOL-AA45-M14</b><br>    | <b>EDOL-AA45-M15</b><br>    |
| 25°              | <b>EDOL-AA25-L1</b><br>   | <b>EDOL-AA25-M12</b><br>   | <b>EDOL-AA25-M14</b><br>   | <b>EDOL-AA25-M15</b><br>   |
| 15°<br>(Type II) | <b>EDOL-AA15-L1</b><br>   | <b>EDOL-AB15-M11</b><br>   | <b>EDOL-AB15-M14</b><br>   | <b>EDOL-AB15-M15</b><br>   |
| 1550°<br>(Oval)  | <b>EDOL-AA1550-L1</b><br> | <b>EDOL-AA1550-M12</b><br> | <b>EDOL-AA1550-M14</b><br> | <b>EDOL-AA1550-M15</b><br> |

## Secondary Lens Series Outlines



## Secondary Lens Series Outlines



### Notes:

- All dimensions are in mm.
- All drawings are not to scale.
- All lens series work with lambertian emitter.
- During any assembly process touching lens is avoided. This will cause pollution or scratch on the surface of lens
- Care is required in assembly must be avoided dislocation between lens and holder.
- All lens are made from acrylic; do not operate at a temperature greater than 70°C.
- All optic parts are assembly tolerance below figure 1.

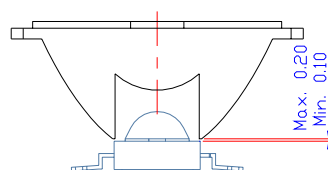
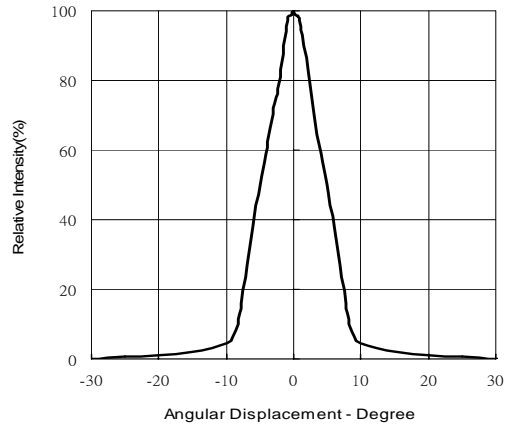


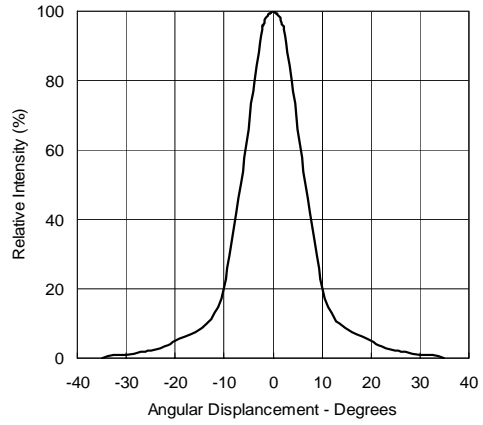
Figure 1: Assembly allowed tolerance

## Typical Radiation pattern for

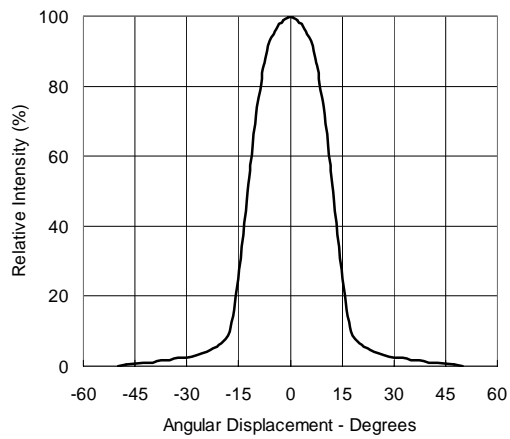
**EDOL-AA10-M13**



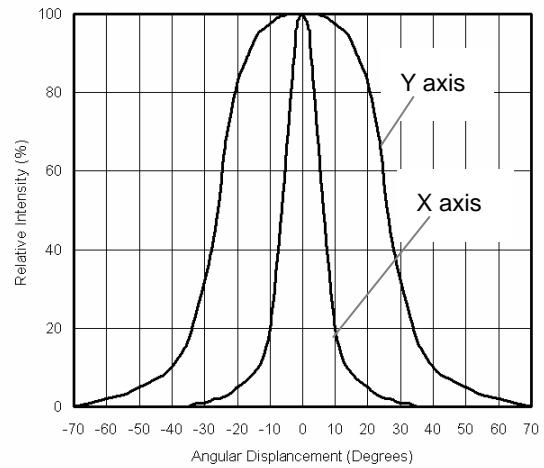
**EDOL-AA15-L1**



**EDOL-AA25-L1**



**EDOL-AA1550-L1**



**EDOL-AA45-L1**

