

FEATURES AND SPECIFICATIONS

Features and Benefits

- "Offset Terminal Retention" for optimum retention to PC board during wave soldering
- Fully polarized to mating receptacle
- Peg feature provides polarization to PCB
- Surface Mount Compatible

Reference Information

Product Specification: PS-43045

Packaging: Tray

UL File No.: E29179

CSA File No.: LR19980

TUV License No.: R95107

Mates With: [43025](#)

Designed In: Millimeters

Electrical

Voltage: 250V

Current: 5.0A max.

Contact Resistance: 10mΩ max.

Dielectric Withstanding Voltage: 1500V AC

Insulation Resistance: 1000 MΩ min.

Mechanical

Insertion Force to PCB: 7.5kgf max. (16.5 lb)

Physical

Housing: High temperature LCP, UL 94V-0

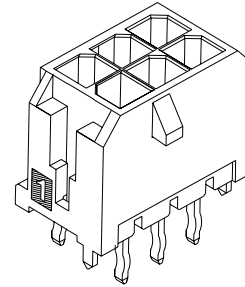
Contact: Brass

Plating: Tin or Gold

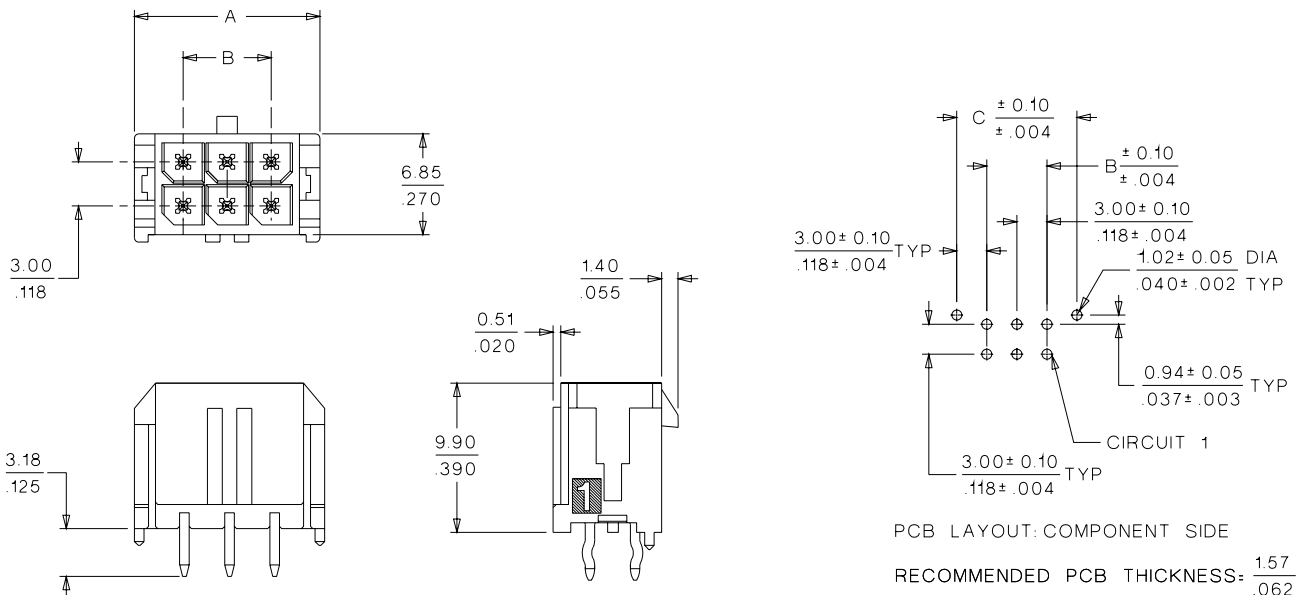


3.00mm (.118") Pitch Micro-Fit 3.0™ Wire-to-Board Header

43045 Dual Row Vertical



CATALOG DRAWING (FOR REFERENCE ONLY)



ORDERING INFORMATION AND DIMENSIONS

Circuits	Order No.						Dimension		
	Standard "OTR" Version			Straight Tail Version			A	B	C
	Tin	15μ" Gold	30μ" Gold	Tin	15μ" Gold	30μ" Gold			
2	• 43045-0212	• 43045-0213	• 43045-0214	43045-0227	43045-0228	43045-0229	6.65 (.262)		6.00 (.236)
4	• 43045-0412	• 43045-0413	• 43045-0414	43045-0427	43045-0428	43045-0429	9.65 (.380)	3.00 (.118)	9.00 (.354)
6	• 43045-0612	• 43045-0613	• 43045-0614	43045-0627	43045-0628	43045-0629	12.65 (.498)	6.00 (.236)	12.00 (.472)
8	• 43045-0812	• 43045-0813	• 43045-0814	43045-0827	43045-0828	43045-0829	15.65 (.616)	9.00 (.354)	15.00 (.591)
10	• 43045-1012	• 43045-1013	• 43045-1014	43045-1027	43045-1028	43045-1029	18.65 (.734)	12.00 (.472)	18.00 (.709)
12	• 43045-1212	• 43045-1213	• 43045-1214	43045-1227	43045-1228	43045-1229	21.65 (.852)	15.00 (.591)	21.00 (.827)
14	• 43045-1412	• 43045-1413	• 43045-1414	43045-1427	43045-1428	43045-1429	24.65 (.970)	18.00 (.709)	24.00 (.945)
16	• 43045-1612	• 43045-1613	• 43045-1614	43045-1627	43045-1628	43045-1629	27.65 (1.088)	21.00 (.827)	27.00 (1.063)
18	• 43045-1812	• 43045-1813	• 43045-1814	43045-1827	43045-1828	43045-1829	30.65 (1.206)	24.00 (.945)	30.00 (1.181)
20	• 43045-2012	• 43045-2013	• 43045-2014	43045-2027	43045-2028	43045-2029	33.65 (1.325)	27.00 (1.063)	33.00 (1.299)
22	• 43045-2212	• 43045-2213	• 43045-2214	43045-2227	43045-2228	43045-2229	36.65 (1.443)	30.00 (1.181)	36.00 (1.417)
24	• 43045-2412	• 43045-2413	• 43045-2414	43045-2427	43045-2428	43045-2429	39.65 (1.561)	33.00 (1.299)	39.00 (1.535)

• US Standard Product, available through Molex franchised distributors