

AN7171NK, AN7173K

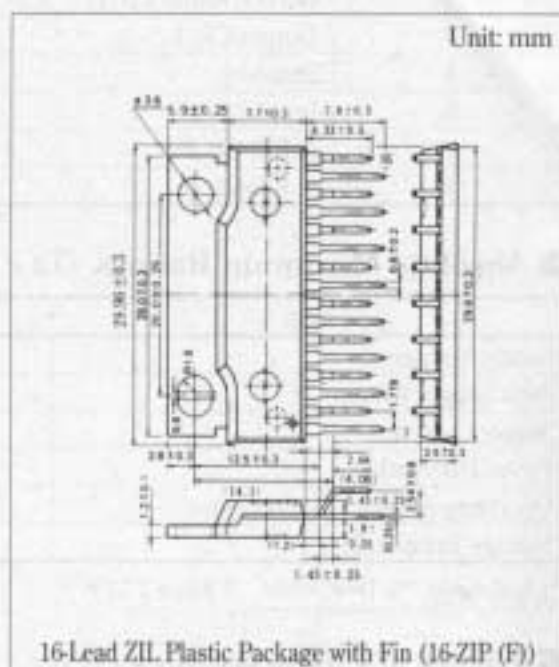
Dual BTL 14W Audio Power Amplifier Circuits

■ Outline

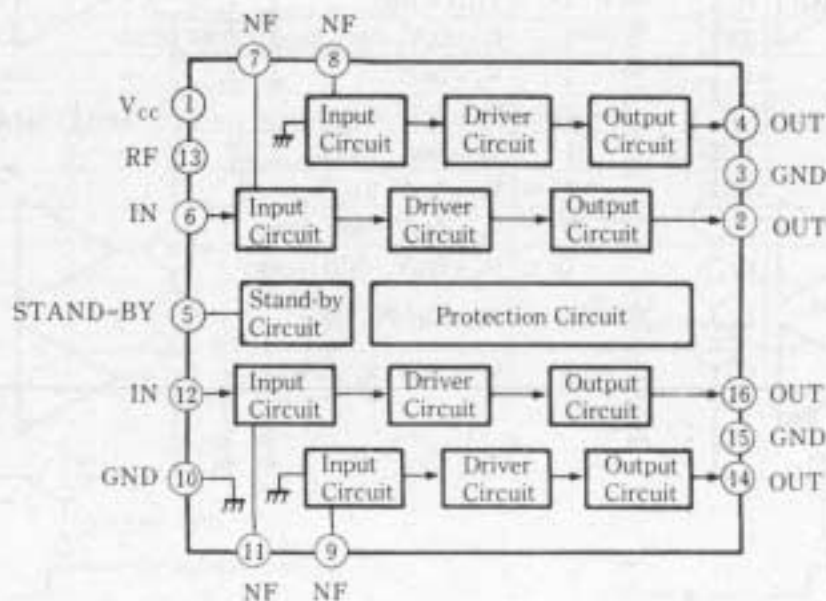
The AN7171NK and the AN7173K are the integrated circuits designed for 14W (13.2V, 4Ω) output power amplifier. Stereo operation is enabled due to incorporating two BTL amplifiers in one chip. High reliability is obtained due to incorporating various protectors. ON/OFF is enabled even if power is supplied to power supply pin by incorporating stand-by circuit.

■ Features

- High output power (BTL 14W × 2)
- Incorporating stand-by circuits.
- Incorporating protection circuits. (temperature, overvoltage, V_{OUT} -GND short, Load short, V_{OUT} - V_{CC} short)
- Low shock noise from power ON/OFF operation
- Fewer external components
- Highly stable operation



■ Block Diagram



■ Pin Descriptions

Pin No.	Pin Name	Pin No.	Pin Name
1	V _{CC}	9	N.F.B Ch. 2
2	Output Ch. 1	10	GND (Input)
3	GND (Output Ch. 1)	11	N.F.B Ch. 2
4	Output Ch. 1	12	Input Ch. 2
5	Stand-by	13	Ripple Filter
6	Input Ch. 1	14	Output Ch. 2
7	N.F.B Ch. 1	16	GND (Output Ch. 2)
8	N.F.B Ch. 1	16	Output Ch. 2

■ Absolute Maximum Ratings (Ta = 25°C)

Item	Symbol	Rating	Unit
Supply Voltage	V _{CC} *1	24	V
Peak Supply Voltage	V _{CC(peak)} *2	50.0	V
Supply Current	I _{CC}	6.0	A
Power Dissipation	P _D *3	62.5	W
Operating Ambient Temperature	T _{op}	-30 - +75	°C
Storage Temperature	T _{stg}	-55 - +150	°C

*1 Non-signal *2 Time = 0.2s *3 R_{θjc} = 2°C/W

■ Electrical Characteristics (V_{CC} = 13.2V, R_L = 4Ω, f = 1kHz, Ta = 25°C)

Item	Symbol	Test Circuit	Condition	min.	typ.	max.	Unit
Quiescent Circuit Current	I _{CCQ}	1	V _{in} = 0mV		120	200	mA
Output Noise Voltage	V _{no} *	1	V _{in} = 0mV, R _g = 10kΩ		0.60	1.50	mV
Voltage Gain	G _v	1	V _{in} = 5mV	50.5	52.5	54.5	dB
Total Harmonic Distortion	THD	1	V _{in} = 5mV		0.20	0.75	%
Maximum Output Power (4Ω)	P _O	1	THD = 10%	9.0	12.5		W
Ripple Rejection Ratio	RR*	1	R _g = 0Ω, V _{in} = 0mV, Ripple = 300mV, 120Hz	35	40		dB
Output Offset Voltage	V _{offset}	1	V _{in} = 0mV	-300	0	+300	mV
Channel Balance	CB	1	V _{in} = 5mV	-1	0	+1	dB
Total Harmonic Distortion	THD	1	V _{in} = 5mV, 100Hz		0.26		%
Total Harmonic Distortion	THD	1	V _{in} = 5mV, 10kHz		0.45		%
Frequency Characteristics	f _{cut}	1	V _{in} = 5mV, -3dB down		22		kHz
Frequency Characteristics	f _{cl}	1	V _{in} = 5mV, -3dB down		21		Hz
Quiescent Circuit Current at Stand-by Pin ON	I _{CC(stand-by ON)}	1	Stand-by Pin ON		21		μA
Crosstalk	CT	1	V _{in} = 5mV, R _g = 10kΩ		61		dB

With 15Hz - 30kHz (12dB/oct) filter