



Very high isolation voltages, up to 15kV, are achieved through the use of high vacuum reed switches with either Rhodium or Tungsten contacts and make these relays suitable for high reliability applications such as cardiac defibrillators, test equipment and high voltage power supplies.

The Rhodium contacts have low contact resistance while the Tungsten contacts can switch higher voltages.



Printed Circuit Board (PCB) or Panel mount, via nylon studs, versions are available.

Connection options include PCB, solder turret tag, flying lead and Faston\* style Spade Terminals.



Available as Form A (SPNO) or Form B (SPNC) contact configurations.



- **15kV Isolation**
- **Low Contact Resistance**
- **High Power Switching**
- **PCB or Panel Mount**
- **Flying Lead, Solder and Faston\* Style Spade Terminal Options**

Contact	Units	Conditions	10kV Form A		10kV Form B		15kV Form A				
			Rhodium	Tungsten	Rhodium	Tungsten	Tungsten				
Contact Materials											
Isolation Across Contacts	kV	DC or AC peak	10	10	10	10	15				
Max. Switching Power	W		50	50	50	50	50				
Max. Switching Voltage	V	DC or AC peak	1000	7000	1000	7000	10000				
Max. Switching Current	A	DC or AC peak	3	2	3	2	2				
Max. Current Carry	A	DC or AC peak	4	3	4	3	2				
Capacitance Across Contacts	pF	Coil/Screen Grounded	<0.2	<0.2	<0.2	<0.2	<0.2				
Lifetime	Operations	Dry Switching	10 <sup>9</sup>	10 <sup>9</sup>	10 <sup>9</sup>	10 <sup>9</sup>	10 <sup>9</sup>				
Lifetime	Operations	50W Switching	10 <sup>6</sup>	10 <sup>6</sup>	10 <sup>6</sup>	10 <sup>6</sup>	10 <sup>8</sup>				
Contact Resistance	mOhms	Maximum (Typical)	50 (15)	250 (100)	50 (15)	250 (100)	250 (100)				
Insulation Resistance	Ohms	Minimum (Typical)	10 <sup>10</sup> (10 <sup>13</sup> )	10 <sup>10</sup> (10 <sup>13</sup> )	10 <sup>10</sup> (10 <sup>13</sup> )	10 <sup>10</sup> (10 <sup>13</sup> )	10 <sup>10</sup> (10 <sup>13</sup> )				
<b>Coil at 20°C</b>			<b>5V</b>	<b>12V</b>	<b>24V</b>	<b>5V</b>	<b>12V</b>	<b>24V</b>	<b>5V</b>	<b>12V</b>	<b>24V</b>
Must Operate	V	DC	3.7	9	20	3.7	9	20	3.7	9	20
Must Release	V	DC	0.5	1.25	4	0.5	1.25	4	0.5	1.25	4
Operate Time	ms	Diode Fitted	3.0	3.0	3.0	2.0	2.0	2.0	3.0	3.0	3.0
Release Time	ms	Diode Fitted	2.0	2.0	2.0	3.0	3.0	3.0	2.0	2.0	2.0
Resistance	Ohms		28	150	780	38	240	925	16	95	350
<b>Construction</b>											
Isolation Contact to Coil	kV	DC or AC peak	17		17		17				
Insulation Resistance Contact											
to All Other Terminals	Ohms	Minimum (Typical)	10 <sup>10</sup> (10 <sup>13</sup> )		10 <sup>10</sup> (10 <sup>13</sup> )		10 <sup>10</sup> (10 <sup>13</sup> )				
<b>Environmental</b>											
Operating Temperature Range	°C		-20 to +70		-20 to +70		-20 to +70				
<b>Weight</b>	<b>Version</b>	<b>Standard</b>	<b>Panel</b>		<b>Spade</b>		<b>Flying Lead</b>				
	Form A	gm	23		28		29		38		
	Form B	gm	31		36		37		46		

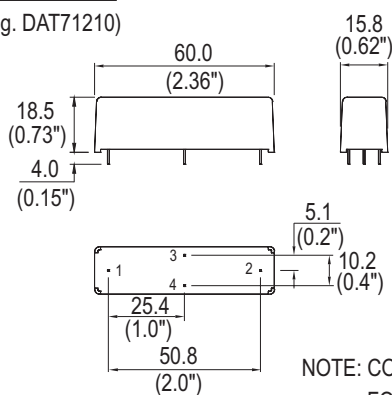
### Part Numbering System

Reed Switch size: **D** ——— **D** **A** **T** **7** **24** **15** **F**  
 Contact Form - **A**: Form A **B**: Form B  
 Contact Material **R**: Rhodium **T**: Tungsten  
 Moulding Ref. Number  
 Coil Voltage **05**: 5V **12**: 12V **24**: 24V  
 Isolation Between Contacts - **10**: 10kV, **15**: 15kV (dat only)

**Mounting Style:**  
**No suffix**: Standard PCB mount  
**F**: Flying Lead Contact Terminals  
**P**: Panel Mount via nylon studs, turret contact/coil terminals  
**S**: Panel Mount via nylon studs, Faston\* style spade terminals

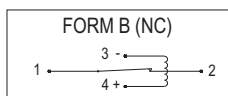
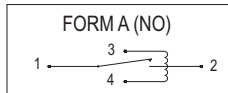
### STANDARD

(e.g. DAT71210)



### CIRCUIT DIAGRAMS (ALL VARIANTS)

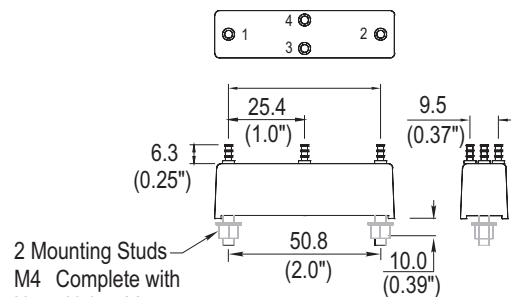
Viewed from underside



NOTE: COIL POLARITY IS IMPORTANT FOR FORM B VARIANT ONLY.

### PANEL MOUNT

(e.g. DAT71210P)

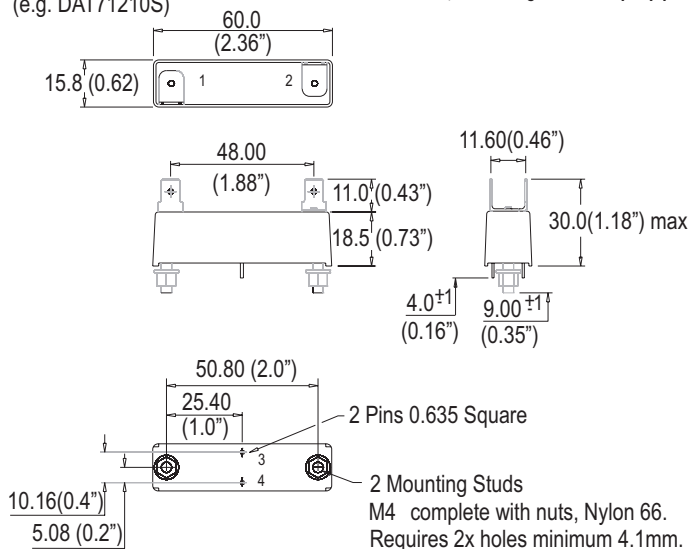


2 Mounting Studs  
 M4 Complete with Nuts, Nylon 66  
 Requires 2x holes minimum 4.1mm.

### SPADE TYPE

(e.g. DAT71210S)

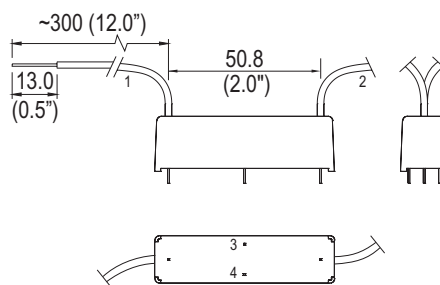
'S' Suffix denotes the 6.3 'Push On' blade connectors, M4 fixing bolts and Epoxy potting.



2 Pins 0.635 Square  
 2 Mounting Studs  
 M4 complete with nuts, Nylon 66.  
 Requires 2x holes minimum 4.1mm.

### FLYING LEAD

(e.g. DAT71210F)



NOTE: PINS WHICH ARE NOT NUMBERED HAVE NO ELECTRICAL CONNECTION.

### ISO9001 Certified

**USA**  
 Sales & Tech Support(866) 258-5057  
 Email: sales@cynergy3.com  
 Cynergy3 Components  
 2320 Paseo de las Americas, Suite 104  
 San Diego, CA 92154

**EUROPE - UK**  
 Telephone +44 (0) 1202 897969  
 Fax +44 (0) 1202 891918  
 Email:sales@cynergy3.com  
 Cynergy3 Components Ltd.  
 7 Cobham Road  
 Ferndown Industrial Estate  
 Wimborne, Dorset BH21 7PE

**ASIA - Thailand**  
 Telephone +66 (0)2 665 2517  
 Fax +66 (0)2 665 2588  
 Cynergy 3 Components, Asia  
 18/8 Fico Place 12th Floor  
 Soi Sukhumvit 21 (Asoke)  
 Klongtoey Nua, Wattana  
 Bangkok, Thailand 10110