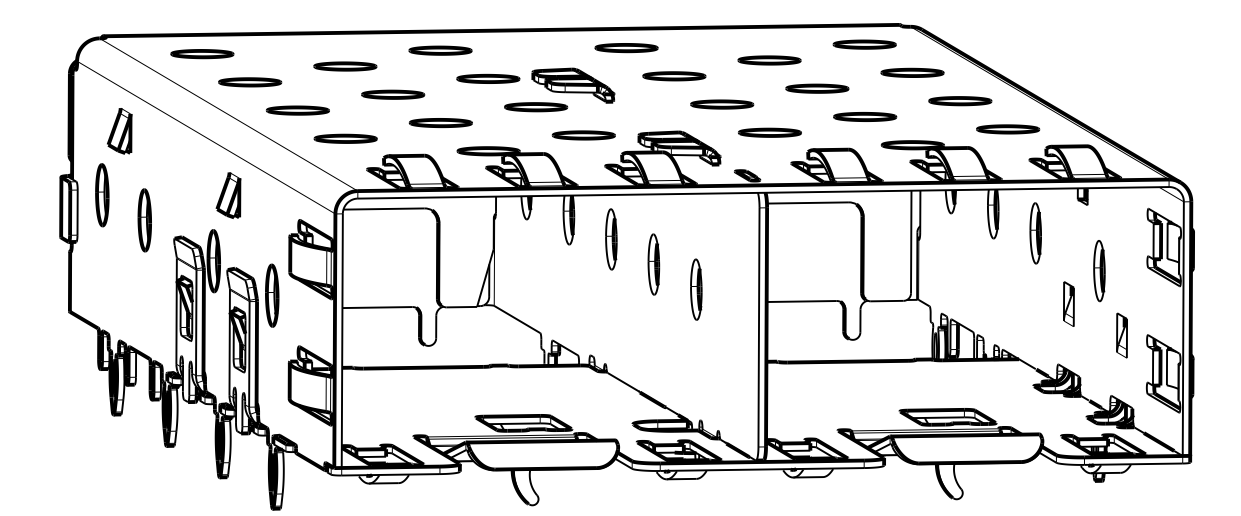
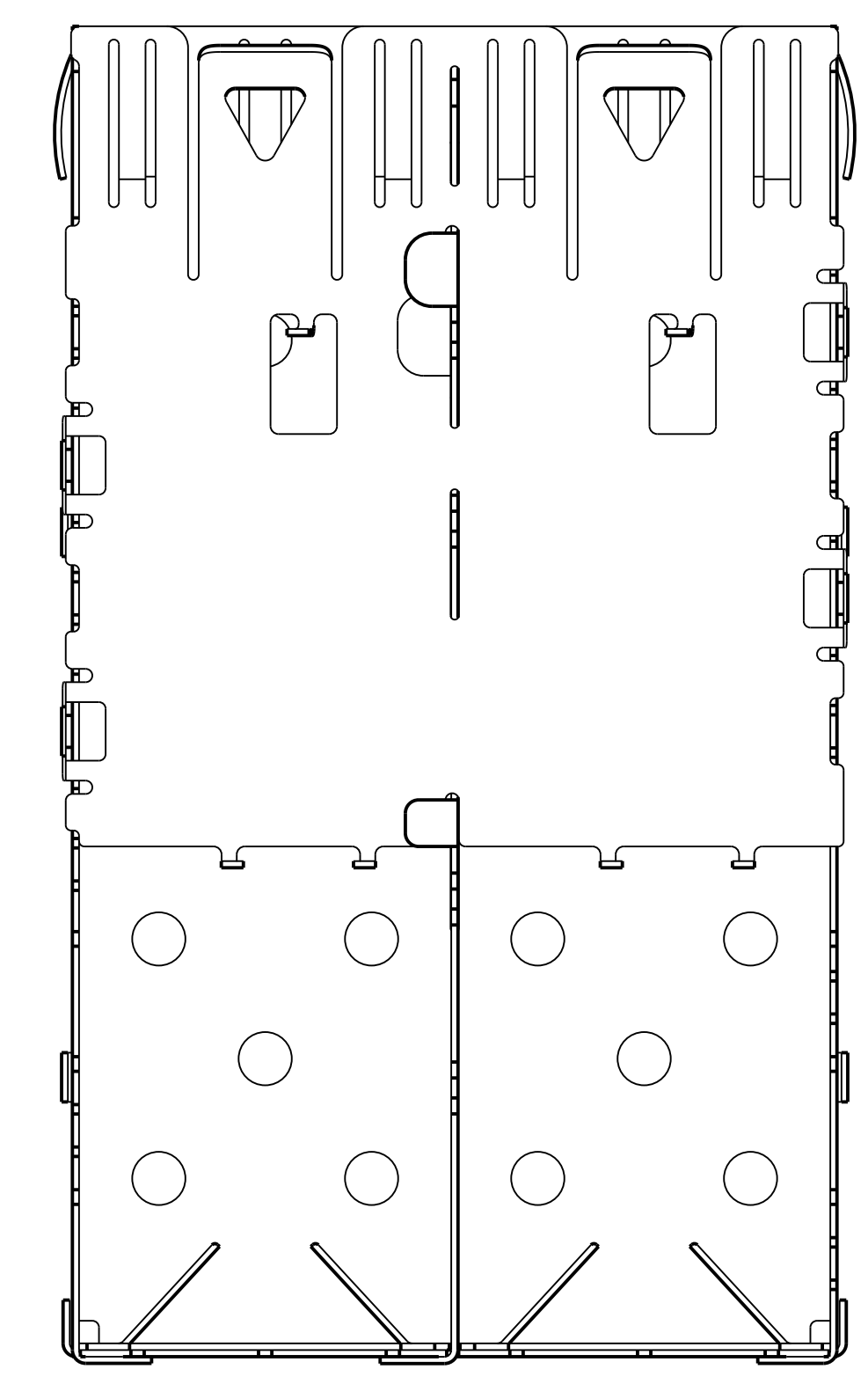
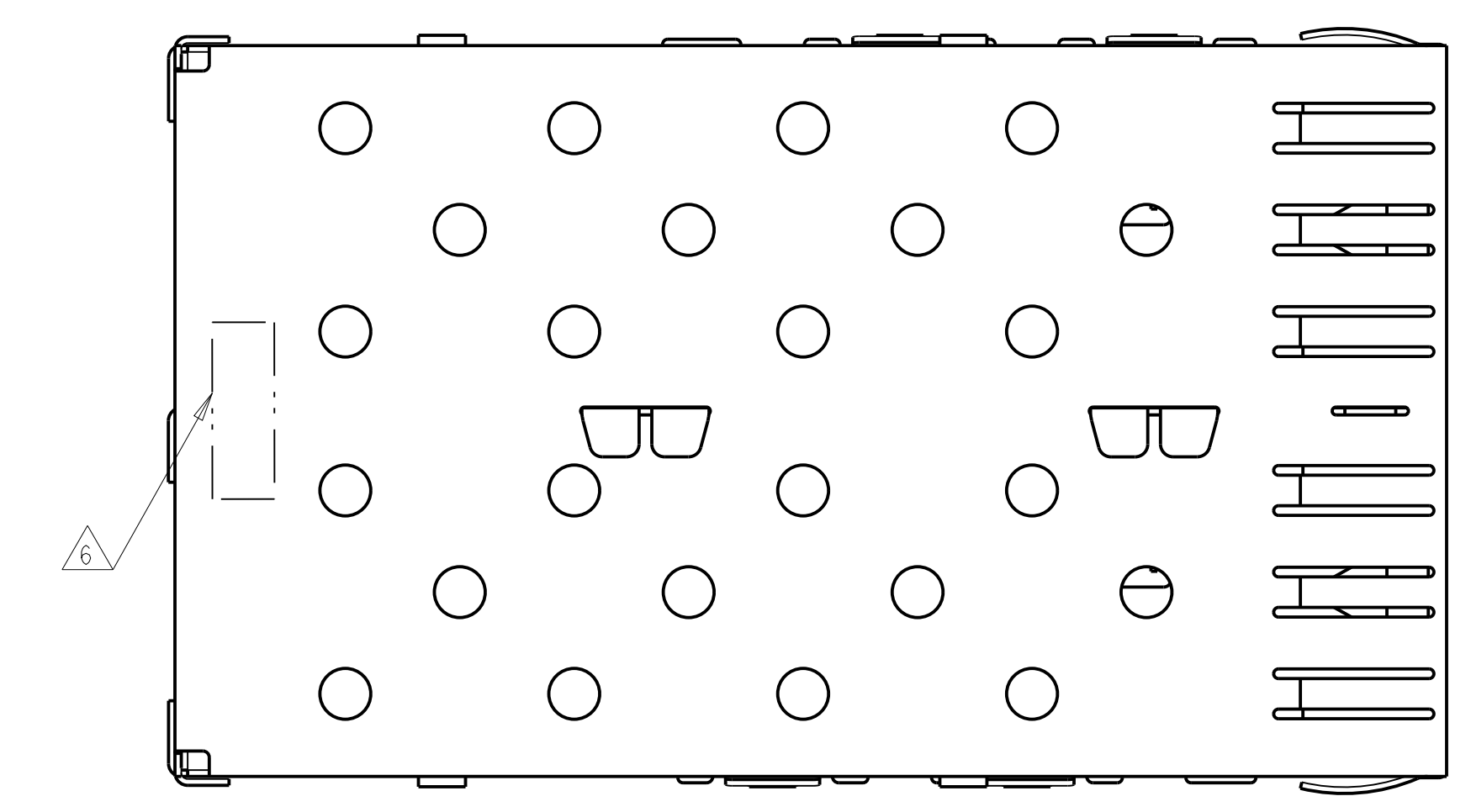
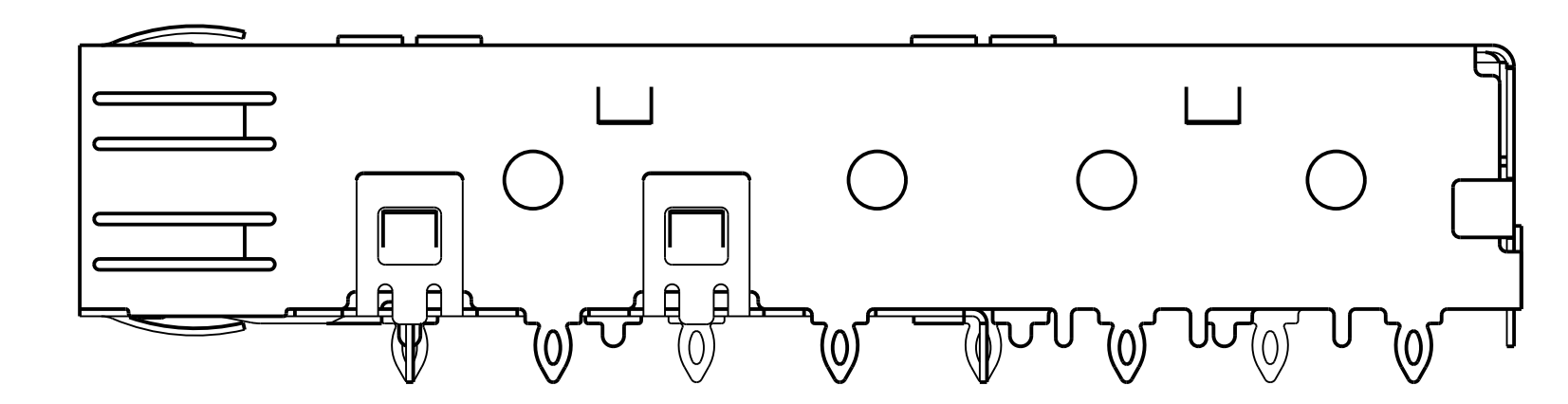
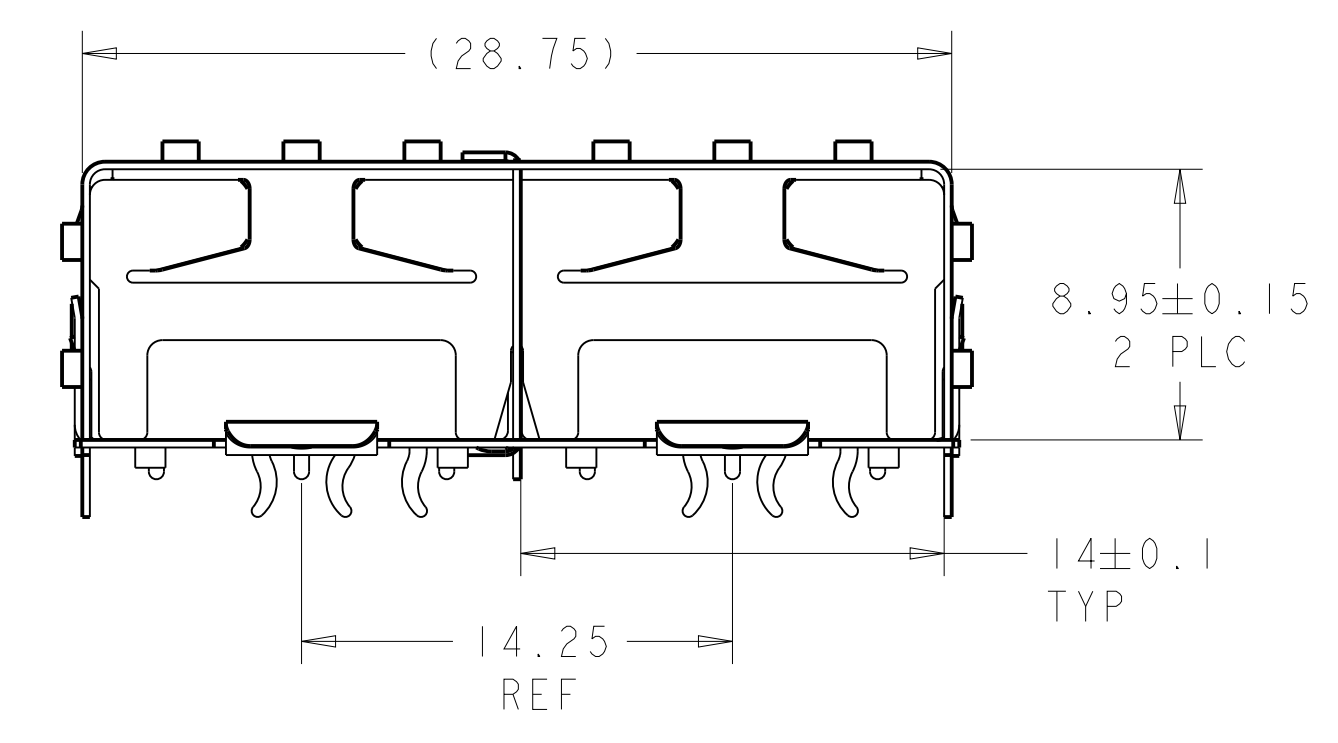
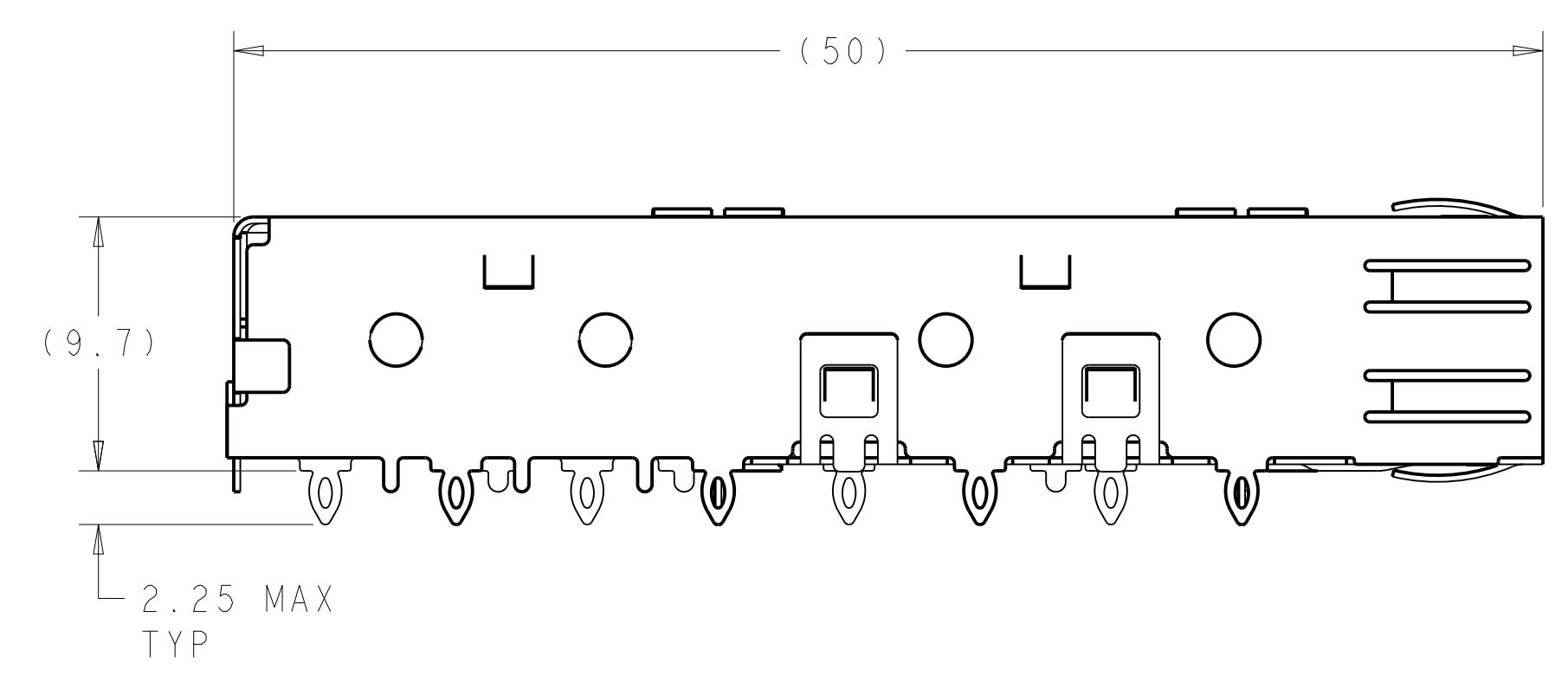
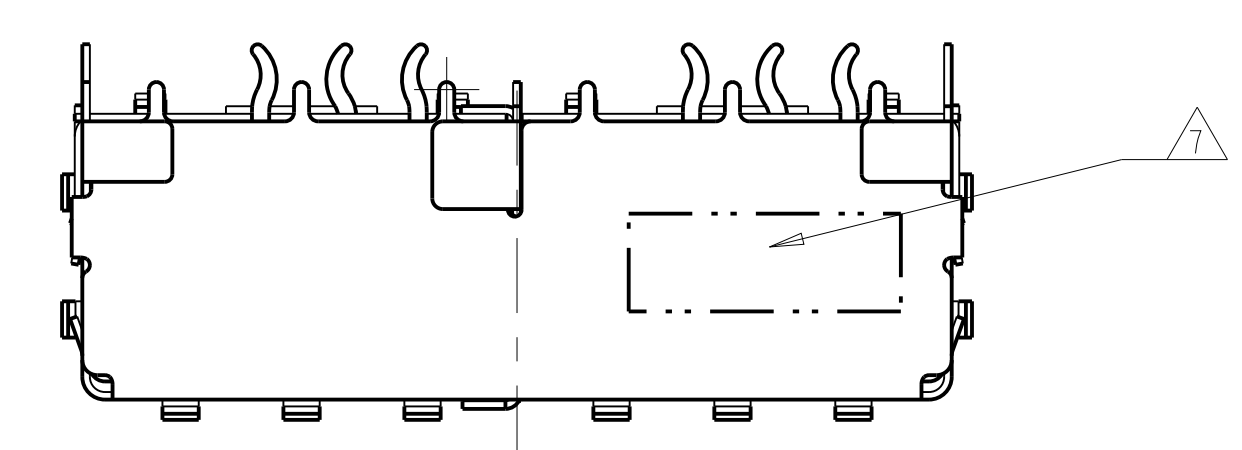


LOC	DIST	REVISIONS			
		REV	DATE	BY	CHKD
GP	00	D1	10MAY2011	RK	HMR
		E	20FEB2014	JW	SH
		E1	11JUL2014	JW	SH

- 1 MATERIAL: COPPER ALLOY.
- 2 FINISH: TIN PLATING PER ASTM B 545, 1.25µm MINIMUM THICKNESS ALL OVER NICKEL FLASH PER QQ-N-290. NONPLATED EDGES PERMISSIBLE.
- 3 PADS AND VIAS CHASSIS GROUND.
- 4 DATUM AND BASIC DIMENSIONS ESTABLISHED BY CUSTOMER.
- 5 REFERENCE APPLICATION SPEC 114-13120, HOLE A, FOR RECOMMENDED DRILL HOLE DIAMETER AND PLATING THICKNESSES.
- 6 COMPANY LOGO IN APPROXIMATE AREA SHOWN
- 7 DATE CODE AND PART NUMBER IN APPROXIMATE AREA SHOWN.
- 8 MATERIAL: NICKEL SILVER ALLOY (NO PLATING)



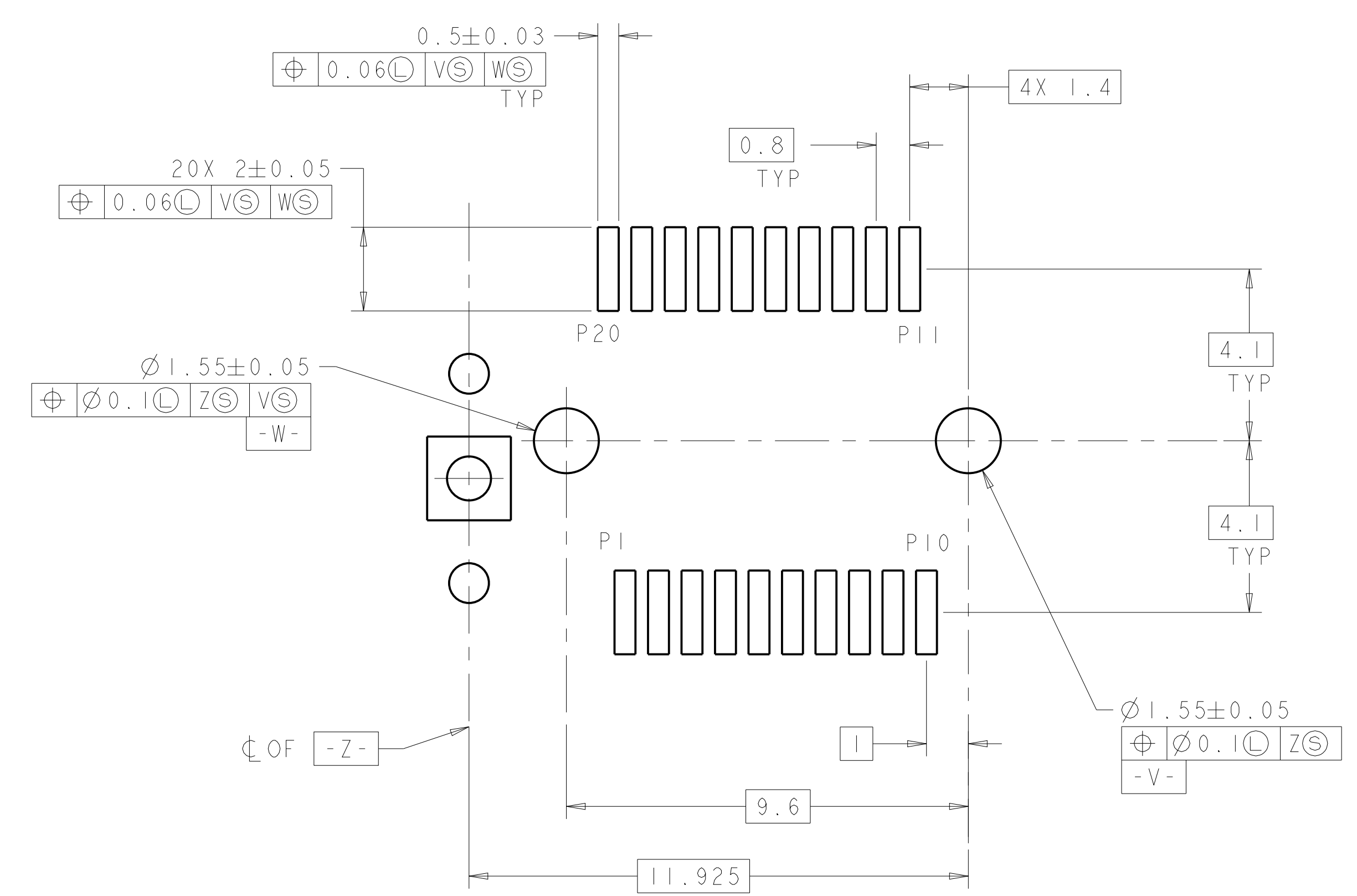
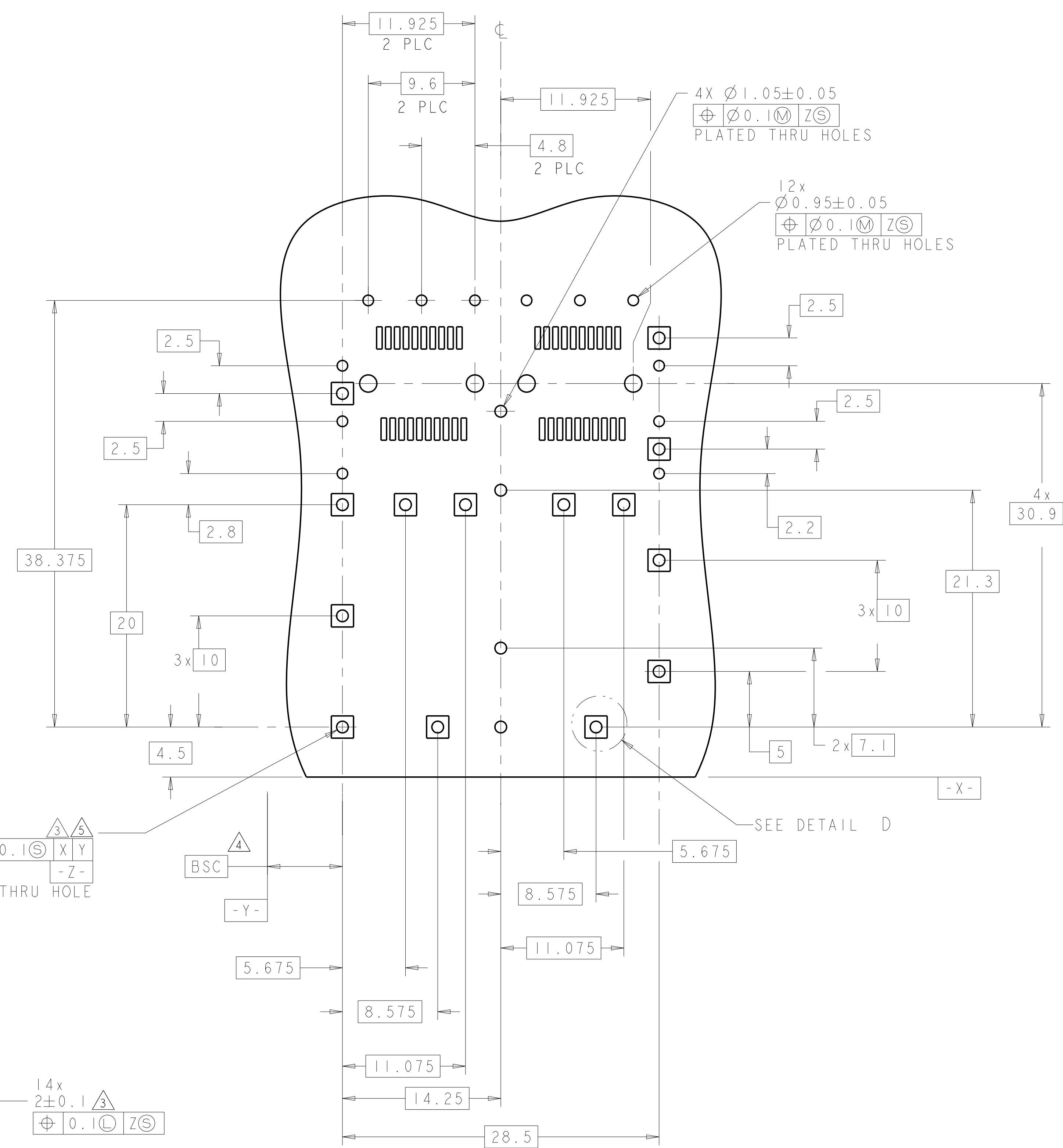
1761014-1&3
1X2 CAGE ASSEMBLY
SCALE 4:1



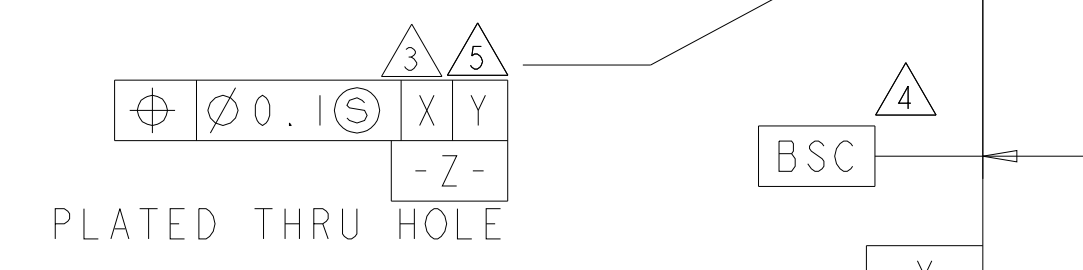
NO	REV	DESCRIPTION	PART NO
	8	1 x 2 CAGE	1761014-3
	1	1 x 2 CAGE	1761014-1

THIS DRAWING IS A CONTROLLED DOCUMENT.		DWN: JH VAN SCOY 15MAR2004			
DIMENSIONS: mm		CHK: MJ PHILLIPS 15MAR2004			
TOLERANCES UNLESS OTHERWISE SPECIFIED:		APVD: MJ PHILLIPS 15MAR2004		NAME: ASSEMBLY, CAGE, 1X2 PRESS FIT, SFP	
0 PLC ±		PRODUCT SPEC		SIZE: CAGE CODE DRAWING NO	
1 PLC ±0.10		APPLICATION SPEC		RESTRICTED TO	
2 PLC ±		114-13120		A100779C=1761014	
3 PLC ±		WEIGHT		SCALE 4:1 SHEET 1 OF 2 REV E1	
4 PLC ±		CUSTOMER DRAWING			
ANGLES ±2°					

LOC	DIST	REV	DATE	BY	APPV
GP	00				
DESCRIPTION					
SEE SHEET 1					



PT CONNECTOR
RECOMMENDED PCB
CONFIGURATION
SCALE 10:1



RECOMMENDED PC BOARD
CONFIGURATION
SCALE 4:1

DETAIL D
SCALE 15:1

THIS DRAWING IS A CONTROLLED DOCUMENT.		OWN: W. VAN SCOY, 15MAR2004	TE Connectivity
DIMENSIONS: mm		CHK: M.J. PHILLIPS, 15MAR2004	
TOLERANCES UNLESS OTHERWISE SPECIFIED:		APVD: M.J. PHILLIPS, 15MAR2004	ASSEMBLY, CAGE, 1X2 PRESS FIT, SFP
0 PLC \pm .10 1 PLC \pm .10 2 PLC \pm .10 3 PLC \pm .10 4 PLC \pm .10 ANGLES \pm .2°		PRODUCT SPEC: 108-1950 APPLICATION SPEC: 114-13120 WEIGHT: - CUSTOMER DRAWING	
MATERIAL: -		FINISH: -	SIZE: A1 CAGE CODE: 1761014 SCALE: 4:1 SHEET: 2 OF 2 REV: E1