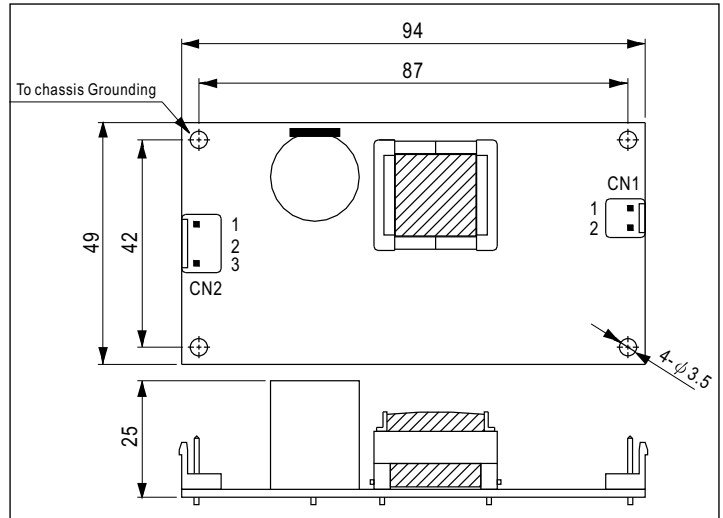
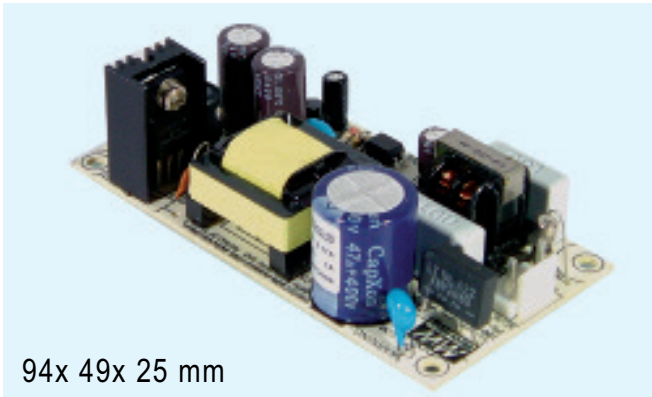


# 15W Single Output Switching Power Supply

- Universal AC input / Full range
- Protections: Short circuit / Overload / Over voltage / Over temp.
- Cooling by free air convection
- Fixed switching frequency at 67KHz
- Low leakage current <0.5mA
- 100% full load burn-in test
- Low cost, high reliability
- 2 years warranty

**CBCE**



- AC input voltage range ..... 85~264VAC; 120~370VDC
- AC inrush current ..... Cold start, 40A at 230VAC
- Overload protection ..... >105% hiccup mode, auto-recovery
- Over voltage protection ..... 115%~135% rated output voltage
- Over temp. protection ..... U1, Tj:140°C, hiccup mode, auto-recovery
- Leakage current ..... Less than 0.5mA at 240VAC
- Withstand voltage ..... I/P-O/P: 3KVAC, I/P-FG:1.5KVAC, 1minute
- Working temperature ..... -10~60°C (refer to output derating curve)
- Safety standards ..... EN60950-1 CB approval by TUV
- EMC standards ..... EN55022 class B, EN61000-3-2,3, EN61000-4-2,3,4,5,6,8,11
- Connection ..... 3P, 2P/ 3.96mm pitch, JST B3P/B2P-VH
- Packing ..... 0.083kg ; 120pcs / 10.96kg

| Stock No. | Model No. | Output      | Tol. | R&N   | Effi. |
|-----------|-----------|-------------|------|-------|-------|
| 12641     | PS-15-5   | 5V, 2.80A   | ±2%  | 100mV | 74%   |
| 12642     | PS-15-12  | 12V, 1.25A  | ±2%  | 120mV | 77%   |
| 12643     | PS-15-15  | 15V, 1.00A  | ±2%  | 120mV | 78%   |
| 12644     | PS-15-24  | 24V, 0.625A | ±2%  | 150mV | 79%   |
| 12645     | PS-15-48  | 48V, 0.313A | ±2%  | 200mV | 77%   |