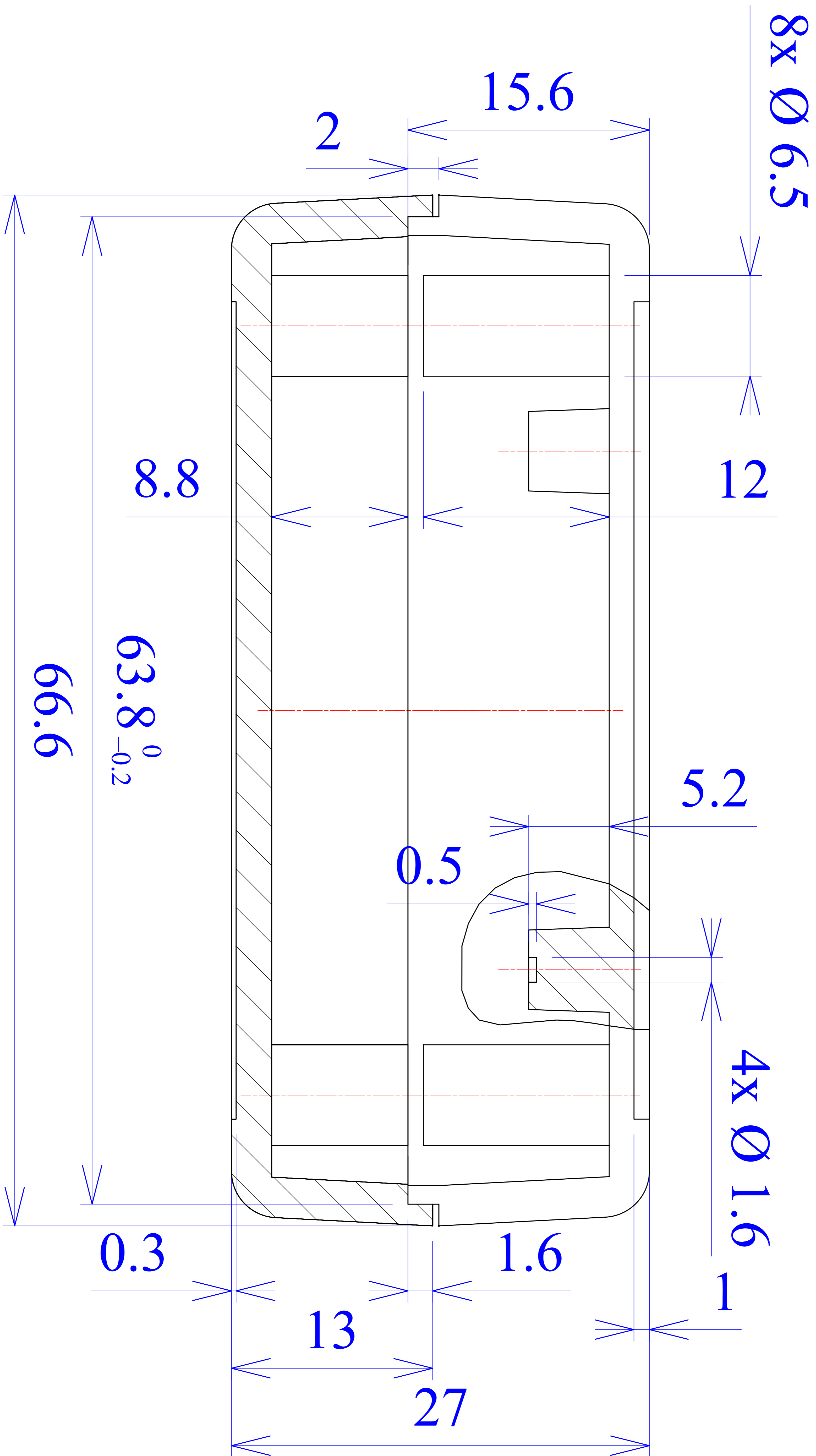
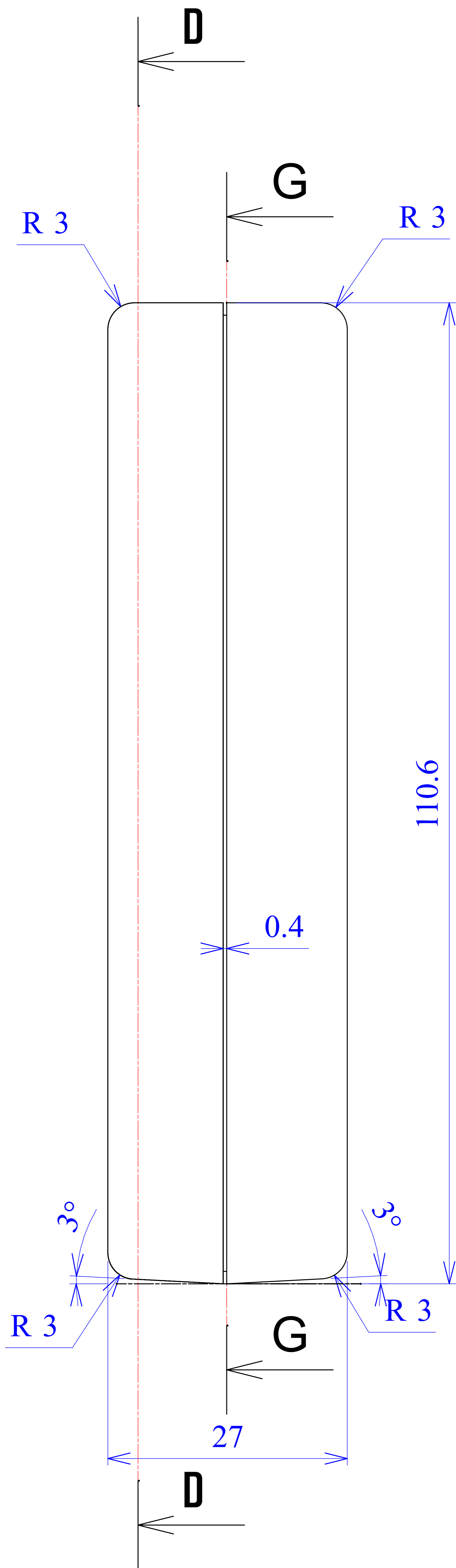




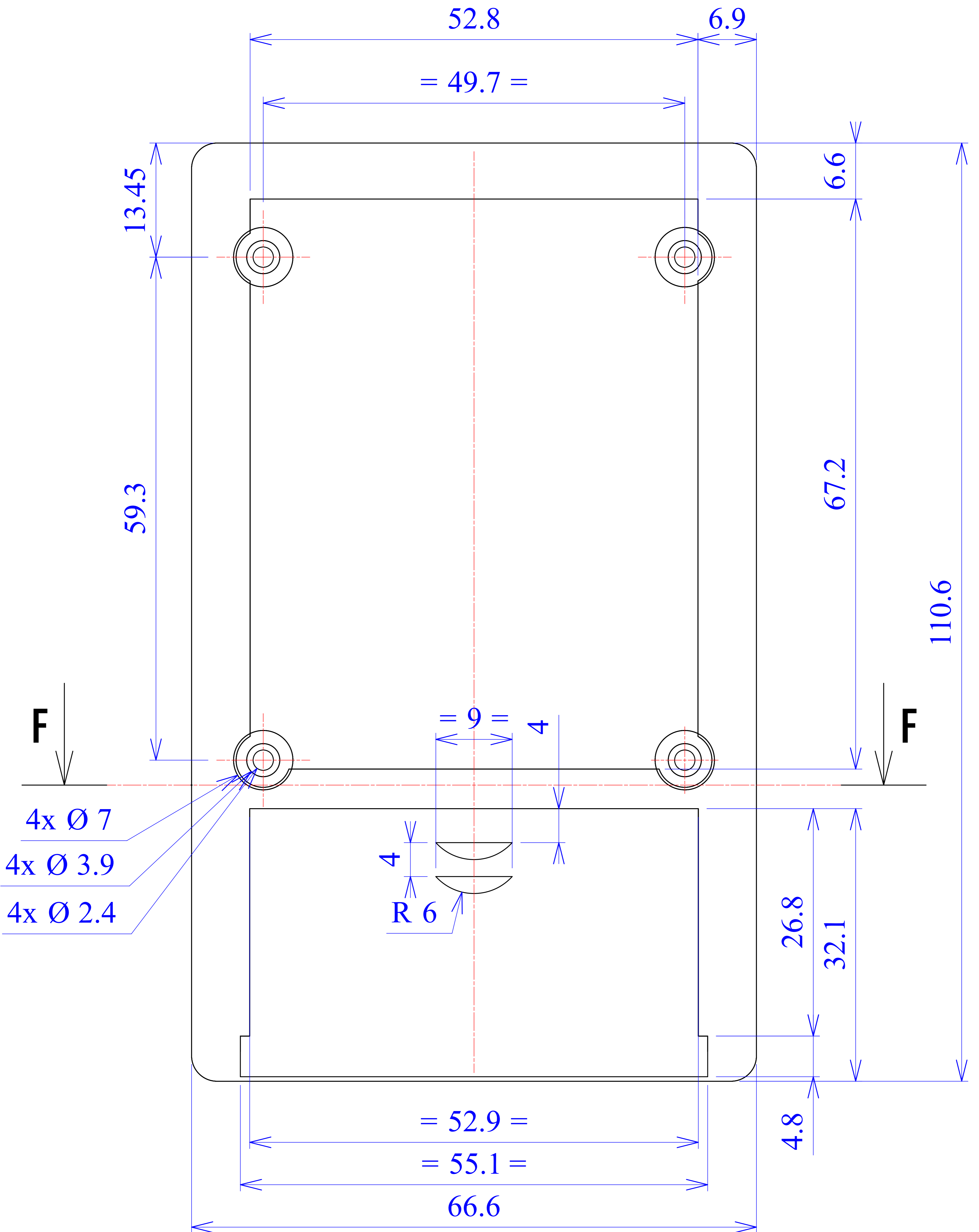
# B - B



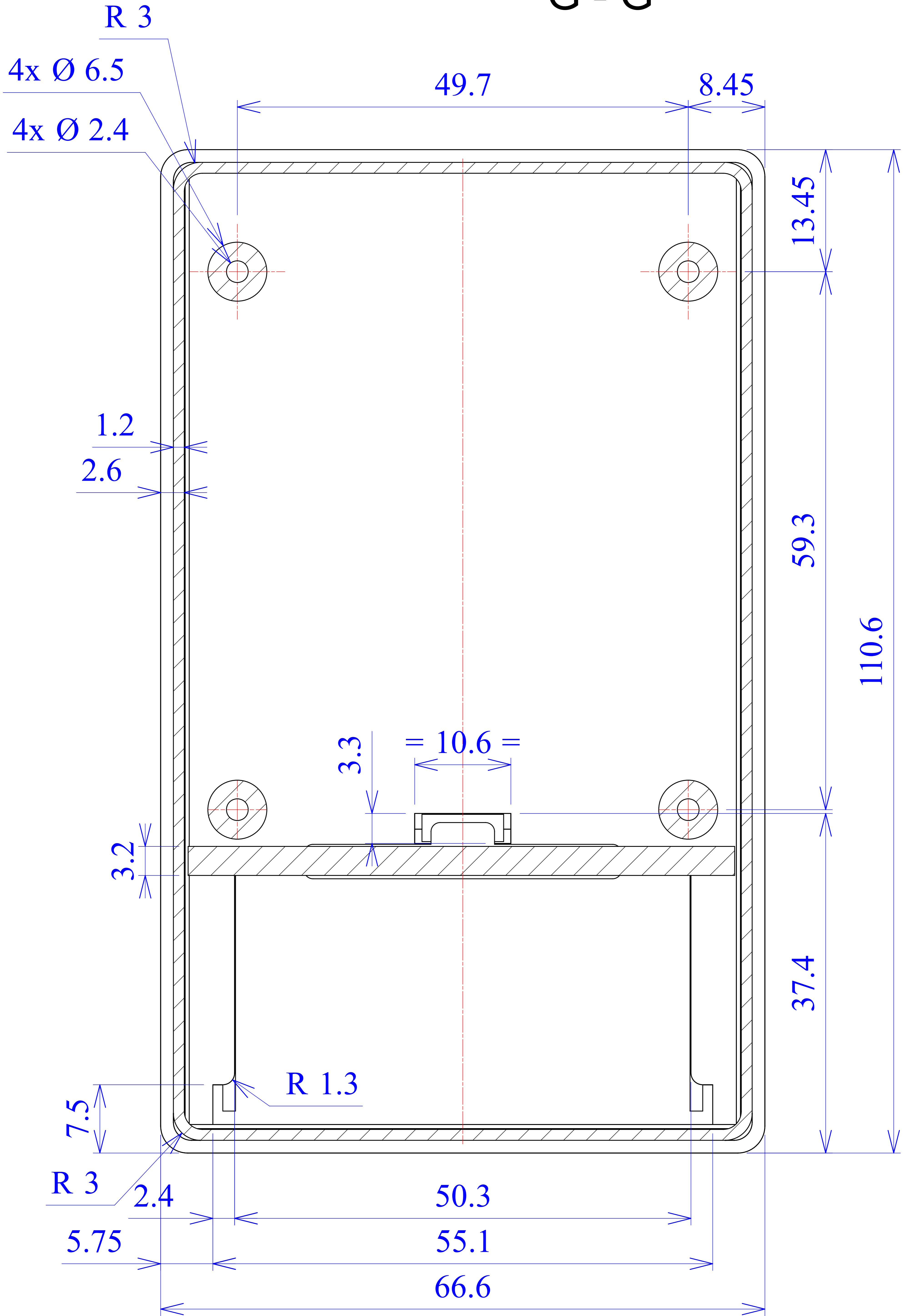






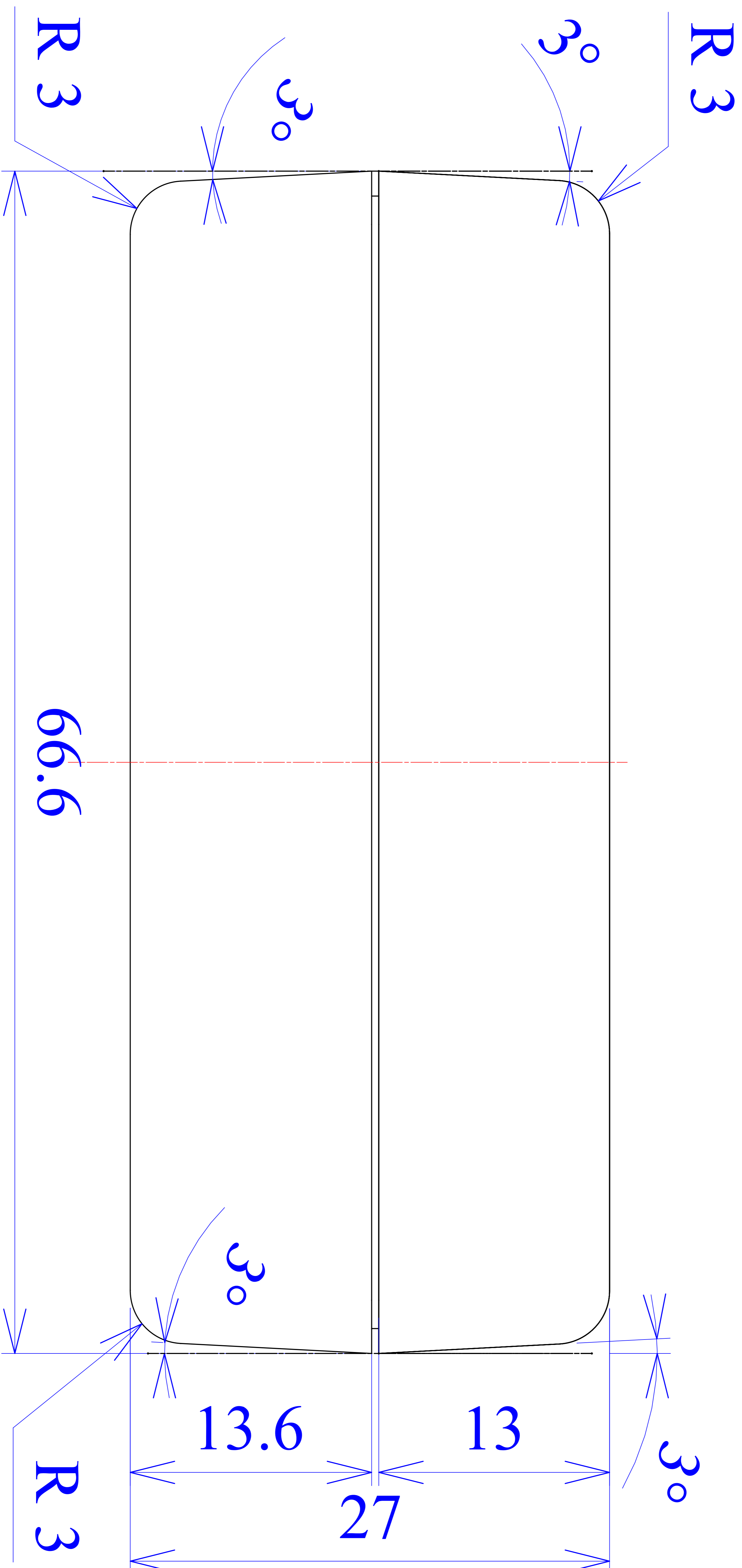


# G - G

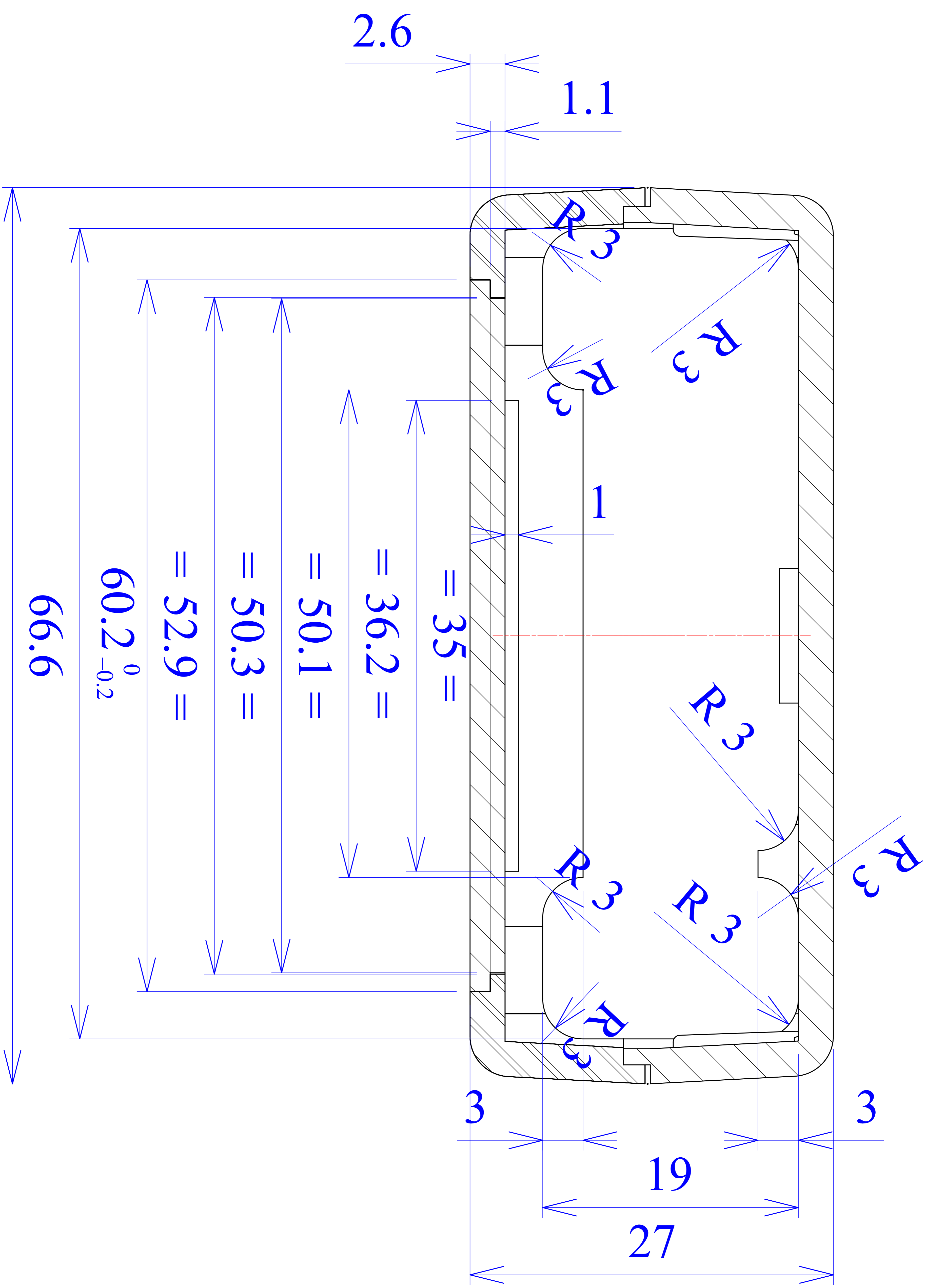








E - E

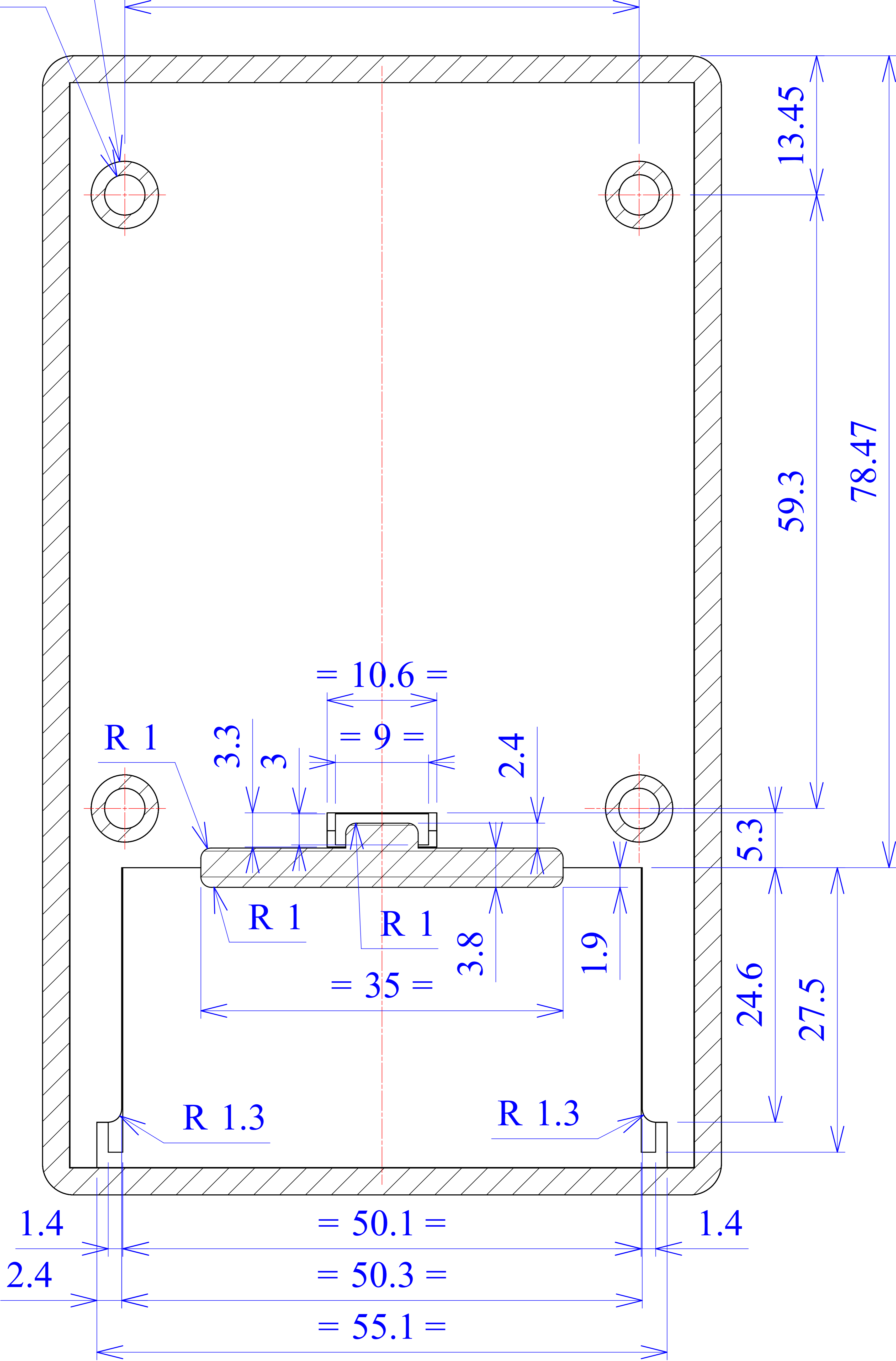


D - D

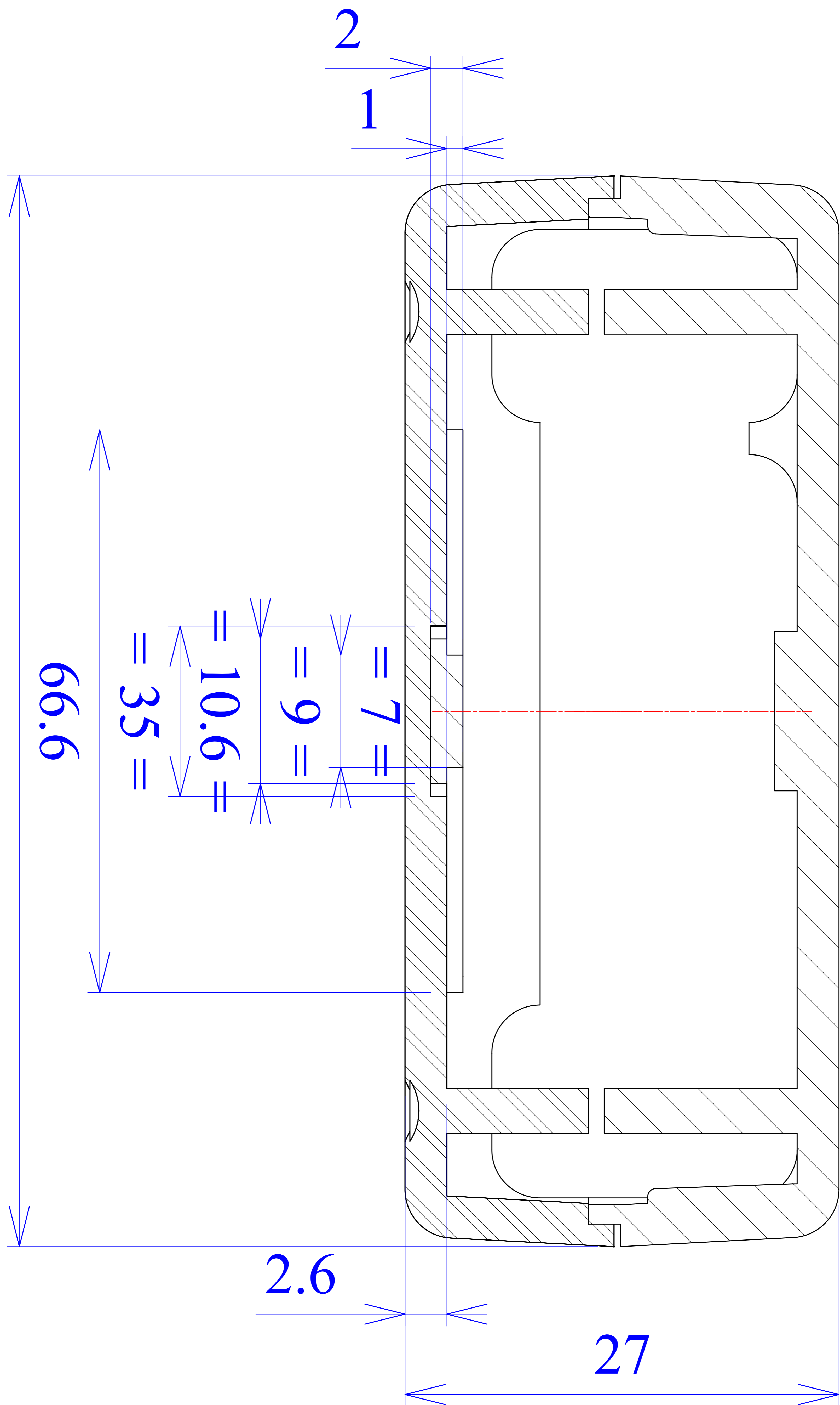
8x Ø 6.5

4x Ø 3.9

= 49.7 =







F - F