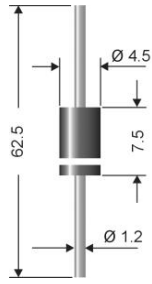


# 1N 5347B...1N 5388B



**Axial lead diode**

## Zener silicon diodes

### 1N 5347B...1N 5388B

**Maximum Power Dissipation: 5 W**

**Nominal Z-voltage: 10 to 200 V**

### Features

- Max. solder temperature: 260°C
- Plastic material has UL classification 94V-0
- Standard Zener voltage tolerance is graded to the international E 24 (5%) standard. Other voltage tolerances and higher Zener voltages on request.

### Mechanical Data

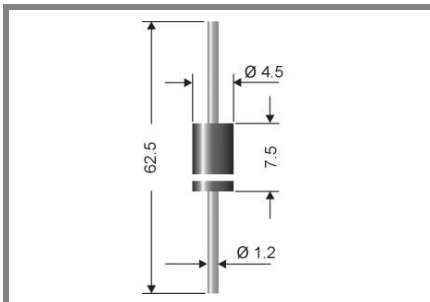
- Plastic case DO-201
- Weight approx.: 1 g
- Terminals: plated terminals solderable per MIL-STD-750
- Mounting position: any
- Standard packaging: 1700 pieces per ammo

<sup>1)</sup> Valid, if leads are kept at ambient temperature at a distance of 10 mm from case

Absolute Maximum Ratings		T <sub>s</sub> = 25 °C, unless otherwise specified	
Symbol	Conditions	Values	Units
P <sub>tot</sub>	Power dissipation, T <sub>A</sub> = 50 °C <sup>1)</sup>	5	W
P <sub>ZSM</sub>	Non repetitive peak power dissipation, t < 10 ms	80	V
R <sub>thA</sub>	Max. thermal resistance junction to ambient	25	K/W
R <sub>thA</sub>	Max. thermal resistance junction to case	8	K/W
R <sub>thT</sub>	Operating junction temperature	-50...+150	°C
T <sub>j</sub>	Storage temperature	-50...+175	°C

Type	Zener Voltage V <sub>Z</sub> @I <sub>ZT</sub>		Test curr. I <sub>ZT</sub> mA	Dyn. Resistance			Temp. Coeffiz. of V <sub>Z</sub> 10 <sup>-4</sup> °C	Reverse curr.		Z curr. T <sub>A</sub> = 50 °C i <sub>Zmax</sub> mA
	V <sub>Zmin</sub> V	V <sub>Zmax</sub> V		Z <sub>ZT</sub> @I <sub>ZT</sub>	Z <sub>ZK</sub> @I <sub>ZK</sub>	I <sub>ZK</sub> mA		I <sub>R</sub> µA	V <sub>R</sub> V	
1N5347B	9,4	10,6	125	2	125	1	-	5	>7,6	475
1N5348B	10,4	11,6	125	2,5	125	1	-	5	>8,4	432
1N5349B	11,4	12,7	100	2,5	125	1	-	2	>9,1	396
1N5350B	12,5	13,8	100	2,5	100	1	-	1	>9,9	365
1N5351B	13,2	14,8	100	2,5	75	1	-	1	>10,6	339
1N5352B	14,2	15,8	75	2,5	75	1	-	1	>11,5	317
1N5353B	15,2	16,9	75	2,5	75	1	-	1	>12,2	297
1N5354B	16,1	17,9	70	2,5	75	1	-	0,5	>12,9	279
1N5355B	17	19	65	2,5	75	1	-	0,5	>13,7	264
1N5356B	18	20	65	3	75	1	-	0,5	>14,4	250
1N5357B	18,9	21,1	65	3	75	1	-	0,5	>15,2	238
1N5358B	20,8	23,2	50	3,5	75	1	-	0,5	>16,7	216
1N5359B	22,7	25,3	50	3,5	100	1	-	0,5	>18,2	198
1N5360B	23,7	26,3	50	4	110	1	-	0,5	>19,0	190
1N5361B	25,6	28,4	50	5	120	1	-	0,5	>20,6	176
1N5362B	26,5	29,5	50	6	130	1	-	0,5	>21,2	170
1N5363B	28,3	31,7	40	8	140	1	-	0,5	>22,8	158
1N5364B	31,2	34,8	40	10	150	1	-	0,5	>25,1	144
1N5365B	34	38	30	11	160	1	-	0,5	>27,4	132
1N5366B	37	41	30	14	170	1	-	0,5	>29,7	122
1N5367B	40	46	30	20	190	1	-	0,5	>32,7	110
1N5368B	44,5	49,5	25	25	210	1	-	0,5	>35,8	101
1N5369B	48	54	25	27	230	1	-	0,5	>38,8	93
1N5370B	53	59	20	35	280	1	-	0,5	>42,6	85
1N5371B	56,5	63,5	20	40	350	1	-	0,5	>45,5	79
1N5372B	58,5	66	20	42	400	1	-	0,5	>47,1	77
1N5373B	64	72	20	44	500	1	-	0,5	>51,7	70
1N5374B	70	79	20	45	620	1	-	0,5	>56,0	63
1N5375B	77,5	86,5	15	65	720	1	-	0,5	>62,2	58
1N5376B	82	92	15	75	760	1	-	0,5	>66,0	55
1N5377B	86	96	15	75	760	1	-	0,5	>69,2	52
1N5378B	94	106	12	90	800	1	-	0,5	>76,0	48
1N5379B	104	116	12	125	1000	1	-	0,5	>83,6	43
1N5380B	113,5	126,5	10	170	1150	1	-	0,5	>91,2	40
1N5381B	123	137	10	190	1250	1	-	0,5	>98,8	37
1N5382B	132,5	147,5	8	230	1500	1	-	0,5	>106	34
1N5383B	142	158	8	330	1500	1	-	0,5	>114	32
1N5384B	151,5	168,5	8	350	1650	1	-	0,5	>122	30

# 1N 5347B...1N 5388B



**Axial lead diode**

Type	Zener Voltage $V_Z @ I_{ZT}$		Test curr. $I_{ZT}$ mA	Dyn. Resistance			Temp. Coeffiz. of $V_Z$ $10^{-4}$ °C	Reverse curr.		Z curr. $T_A = 50$ °C $i_{Zmax}$ mA
	$V_{Zmin}$	$V_{Zmax}$		$Z_{ZT} @$ $I_{ZT}$	$Z_{ZK} @$ $I_{ZK}$	$I_{ZK}$		$I_R$	$V_R$	
	V	V				mA		µA	V	
1N5385B	161	179	8	380	1750	1	-	0,5	>129	28
1N5386B	170,5	189,5	5	430	1750	1	-	0,5	>137	26
1N5387B	180	200	5	450	1850	1	-	0,5	>144	25
1N5388B	189	211	5	480	1850	1	-	0,5	>152	24

## Zener silicon diodes

### 1N 5347B...1N 5388B

**Maximum Power  
Dissipation: 5 W**

**Nominal Z-voltage: 10 to 200 V**

### Features

- Max. solder temperature: 260°C
- Plastic material has UL classification 94V-0
- Standard Zener voltage tolerance is graded to the international E 24 (5%) standard. Other voltage tolerances and higher Zener voltages on request.

### Mechanical Data

- Plastic case DO-201
- Weight approx.: 1 g
- Terminals: plated terminals solderable per MIL-STD-750
- Mounting position: any
- Standard packaging: 1700 pieces per ammo

1) Valid, if leads are kept at ambient temperature at a distance of 10 mm from case