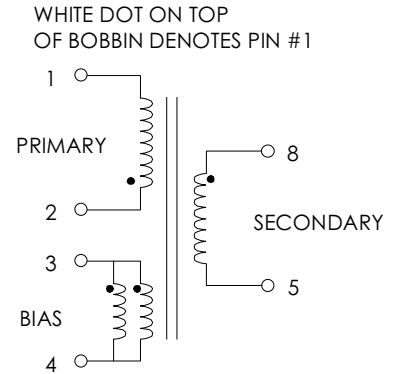


**TABLE 1: ELECTRICAL SPECIFICATIONS AT 25 °C**  
 SWITCHING TRANSFORMER DESIGNED FOR USE WITH POWER INTEGRATIONS  
 PWR-TOP202YAI. REFER TO APPLICATION CIRCUIT OF FIGURE 3.

PARAMETER	SPEC LIMITS			UNITS
	MIN.	TYP.	MAX.	
PRIMARY INDUCTANCE (2-1) VOLTAGE = 0.250Vrms FREQUENCY = 100 KHZ	558	620	682	μHY
TURN RATIO'S: SECONDARY (8-5) : PRIMARY (2-1) BIAS (3-4) : PRIMARY (2-1)	-----	1: 7.71	-----	± 4%
PRI LEAKAGE IND. (8-5 SHORTED) VOLTAGE = 0.250Vrms FREQUENCY = 100 KHZ	-----	-----	20.0	μHY
HIPOT: PRIMARY TO SECONDARY BIAS TO SECONDARY	3000 3000	----- -----	----- -----	Vrms Vrms
APP CIRCUIT PARAMETERS: (1) AC LINE VOLTAGE 47/400 Hz OUTPUT VOLTAGE OUTPUT CURRENT CONTINUOUS OUTPUT CURRENT PEAK LINE REGULATION (85 TO 265Vac) LOAD REGULATION 10-100% RIPPLE	85 ----- 0.0 ----- ----- ----- -----	----- 12.0 ----- ----- 0.20 0.20 50.0	265 ----- 1.20 1.40 ----- ----- -----	Vac Vdc Amps Amps ±% ±% ±mV

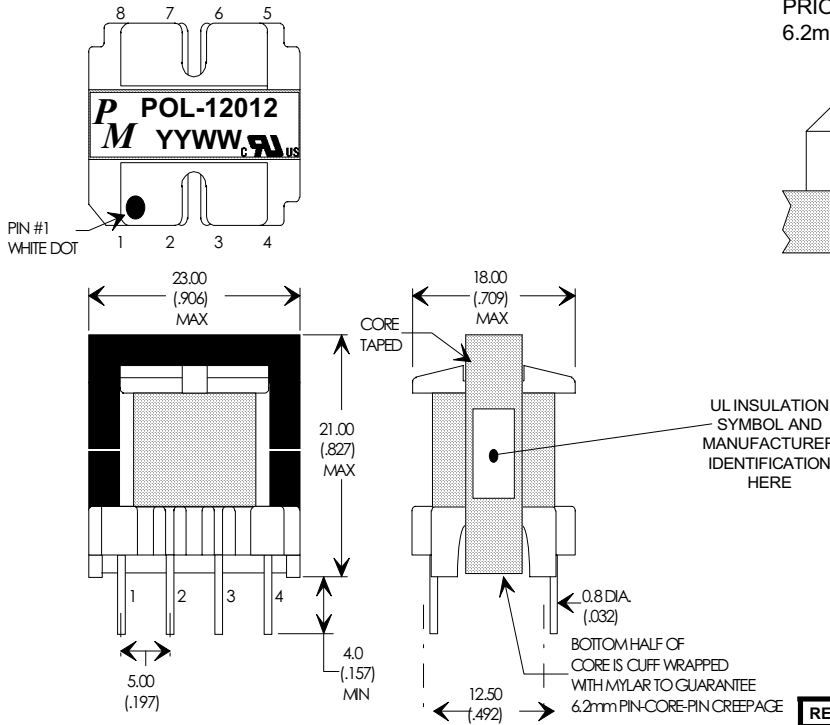
**FIGURE 1: SCHEMATIC DIAGRAM**



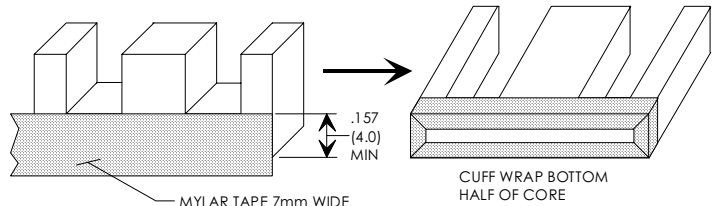
**NOTE1:**  
**REINFORCED INSULATION SYSTEM, UL 1950, IEC950, CSA-950:**  
 A) ALL MATERIALS MEET "UL", "CSA" & "IEC" REQUIREMENTS  
 B) TRIPLE BASIC INSULATED SECONDARY.  
 C) DESIGNED TO MEET >6.2mm CREEPAGE REQUIREMENTS.  
 D) VARNISH FINISHED ASSEMBLY.  
 E) UL1950 & CSA-950 CERTIFIED: FILE #E162344.  
 F) UL CLASS (B) 130 INSULATION SYSTEM PM130-R1, PM130-H1, PM130-H1A (UL FILE #E177139) OR ANY UL AUTHORIZED CLASS (B) INSULATION SYSTEM.

(1) REFER TO APPLICATION CIRCUIT OF FIGURE 3.

**FIGURE 2: PHYSICAL DIMENSIONS mm (INCHES)**



**NOTE2:**  
 A) BOTTOM HALF OF CORE IS CUFF WRAPPED PRIOR TO ASSEMBLY. THIS GUARANTEES 6.2mm CREEPAGE PIN-CORE-PIN



EI22/19/6, 8-PIN VERTICAL BOBBIN

REV.	DESCRIPTION OF CHANGES	BY
12/23/95	ORIGINAL RELEASE	TO
04/28/99	UPDATE TO UL CLASS (B) 130 INSULATION SYSTEM	MD



UNLESS OTHERWISE SPECIFIED  
 DIMENSIONS ARE IN MM  
 DIMENSIONAL TOLERANCES ARE:  
 DECIMALS ANGLES  
 .X ±.25 ±0° 30'  
 .XX ±.15  
 DO NOT SCALE DRAWING

**TRANSFORMER CONTROL DRAWING**

PREMIER P/N: POL-12012	REVISION: 04/28/99
DRAWN BY: TOM O'NEIL	REF: PWR-TOP202YAI
SCALE: NONE	SHEET: 1 OF 6

