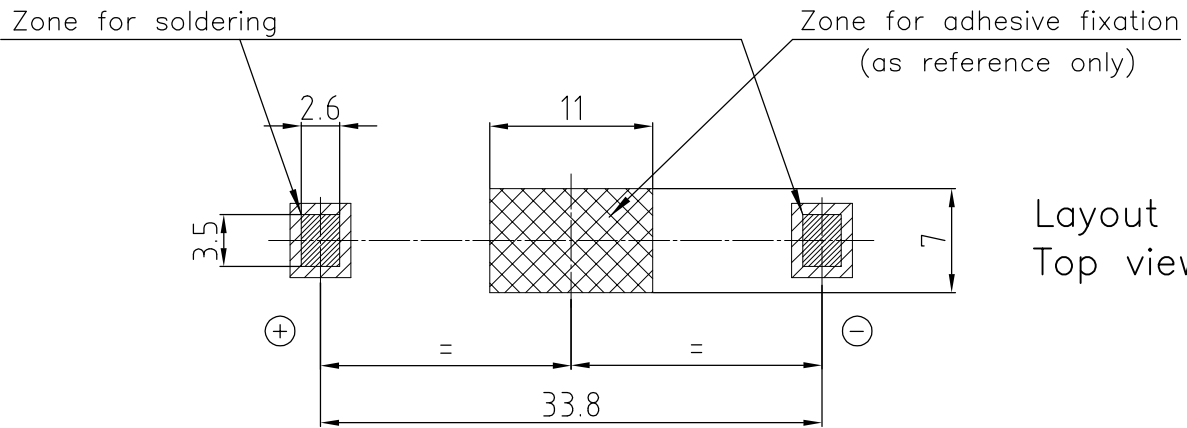
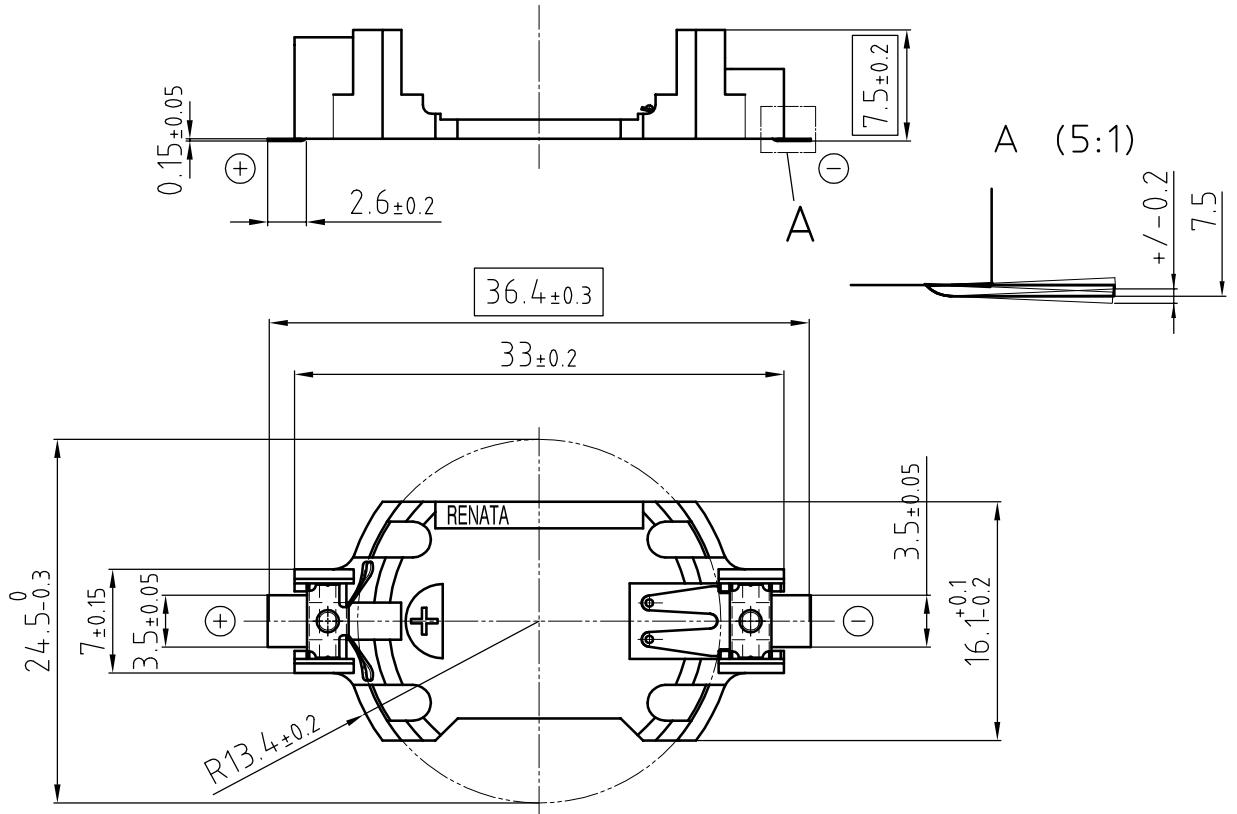


Art.-Number: 701118



- Samples can deviate in the execution from the serie.

- Dimensions and tolerances can be specified only after the testing of the devices for the mass production definitely

- Holder material : heat resistant, glass-fiber reinforced LCP
- Battery contacts : spring stainless steel 301 nickel plated throughout
- Solder contacts : spring stainless steel 301 solder area tin-plated throughout, min. thickness 5µm

All framed values will be used for dimension checking !

|   |   |          |     |                                |   |          |         |                     |         |          |     |
|---|---|----------|-----|--------------------------------|---|----------|---------|---------------------|---------|----------|-----|
| Rev.  | ① | 07.09.07 | MCI | Rev.                           | ④ | 15.09.10 | Wu Ping | Customer's Approval |         |          |     |
| Rev.  | ② | 24.10.07 | SRi | Rev.                           | ○ |          |         | Date                |         |          |     |
| Rev.  | ③ | 18.12.07 | SRi | Rev.                           | ○ |          |         | Signature           |         |          |     |
| Titel:<br><br><h2 style="text-align: center;">SMTU2450N-LF</h2> |   |          |     |                                |   |          |         | Scale               |         |          |     |
|   |   |          |     |                                |   |          |         | 2:1                 | Drawn   | 25.01.05 | SRi |
|   |   |          |     |                                |   |          |         |                     | Checked | 16.09.10 | SRi |
|   |   |          |     |                                |   |          |         | Approved            |         |          |     |
|   |   |          |     | CH-4452 Itingen<br>Switzerland |   |          |         | 3.8762.4-4          |         |          |     |

# Mouser Electronics

Authorized Distributor

Click to View Pricing, Inventory, Delivery & Lifecycle Information:

[Renata:](#)

[SMTU2450N-LF.TR](#) [SMTU2450N-LF BULK](#)